

XDRTM

XDRTM
Owners Manual

MACDEV

XDR Owners Manual

V1.00

Copyright Mac Developments Pty. Ltd. 2021

All rights reserved

No part of this document may be copied or reproduced in any form or by any means without the prior written consent of Mac Developments Pty. Ltd.

Notice is hereby given that this manual is part of the article owned in whole by Mac Developments Pty. Ltd., known as indicated in this manual and drawings. All rights of manufacture and reproduction of such articles or any part thereof are reserved by Mac Developments Pty Ltd. Neither said article nor any part thereof may be manufactured or reproduced without the written authorization from Mac Developments Pty. Ltd. All proprietary rights and information are the sole property of Mac Developments Pty. Ltd.

MacDev, XDR, Prime, Conquest, Gladiator, MatchStick, Cyborg, Shift and Drone are all trademarks of Mac Developments Pty Ltd.

Statement of Liability

Mac Developments Pty. Ltd. makes no warranties with respect to this documentation and disclaims any implied warranties of merchantability or fitness for a particular purpose. The information in this document is subject to change without notice. Mac Developments Pty. Ltd. assumes no responsibility for its resale or safe handling. Mac Developments Pty. Ltd. assumes no responsibility for physical injury or property damage resulting from its use.

MacDev Warranty

MacDev offers a 12 month limited warranty period on your MacDev manufactured electro-pneumatic marker. The MacDev electro-pneumatic marker is warranted to be free from all manufacturing and production defects for a period of 12 months from the date of original purchase. If requested by MacDev, an original proof of purchase must be provided. Warranty exceptions include, but are not limited to, accidental damage, misadventure, reasonable wear and tear and consumable components such as O-rings, detents, batteries and eyes. Warranty work must be undertaken by an authorized MacDev Tech Centre or at a MacDev sanctioned Tech Support booth.

For assistance with your warranty, please visit www.macdevpaintball.com/warranty or contact customer service on our website (www.macdevpaintball.com)



Warning!

This is not a toy. Misuse may cause serious injury or death. Eye protection designed specifically for paintball must be worn by user and persons within range. Recommend 18 years or older to purchase. Persons under 18 must have adult supervision. Do not use muzzle velocities over 300fps. Do not use within 5m of target. READ OWNER'S MANUAL BEFORE USING.

CONTENTS

Know your Marker (Page 5)

All users should read this section to learn the parts of your marker and their names.

Quick Setup (page 7)

Learn how to set your marker up for use the first time.

Install an air system

Fit your loader

Turning on your marker

Understanding the OLED

Adjusting your velocity

Adjusting your trigger

Using a mech frame accessory

Charging your battery

Advanced Setup (Page 12)

Essential reading on how to use your marker.

Tourney Lock

Entering program mode

Finding and changing settings

Settings in detail

Maintenance (Page 16)

Maintaining your purchase is essential to long term product satisfaction.

Basic cleaning

Maintaining the drivetrain

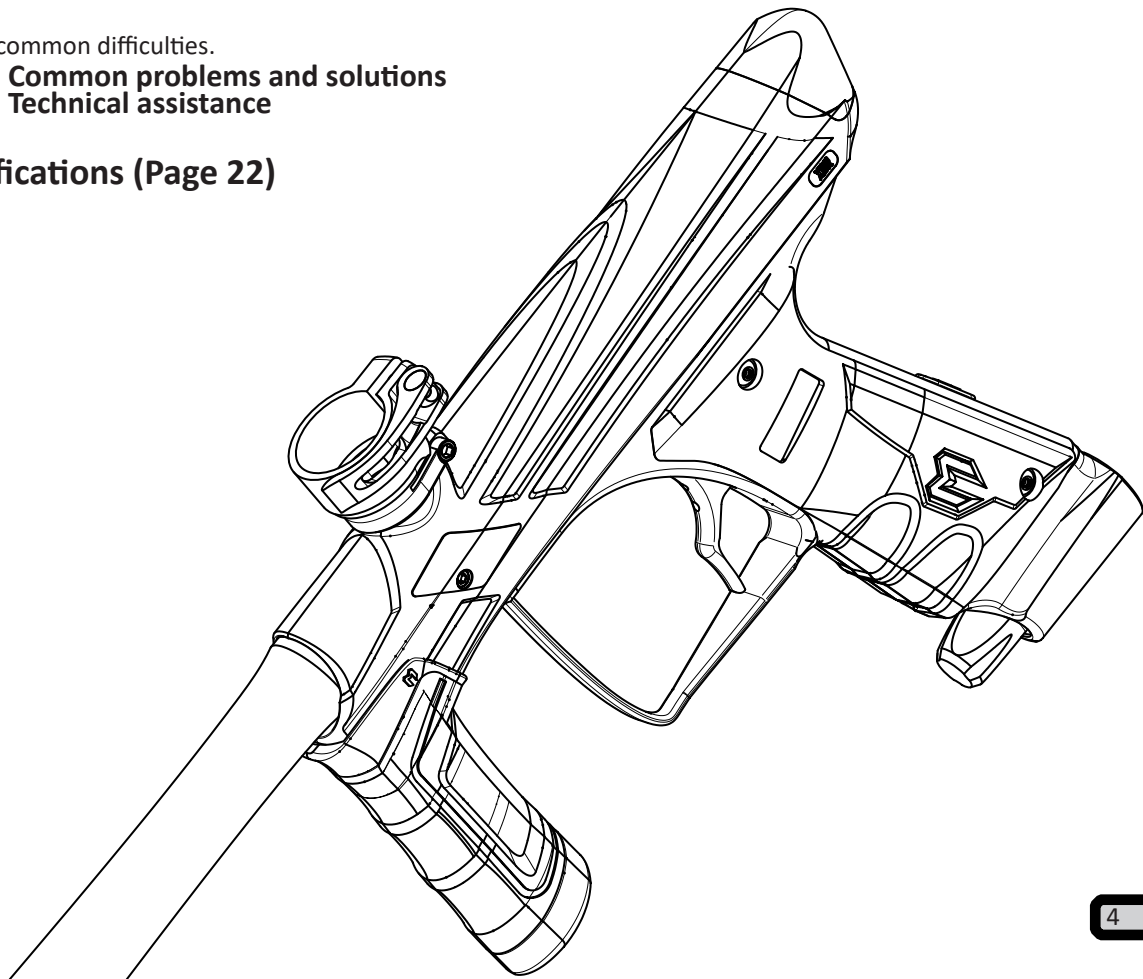
Maintaining the inline regulator

Troubleshooting (Page 19)

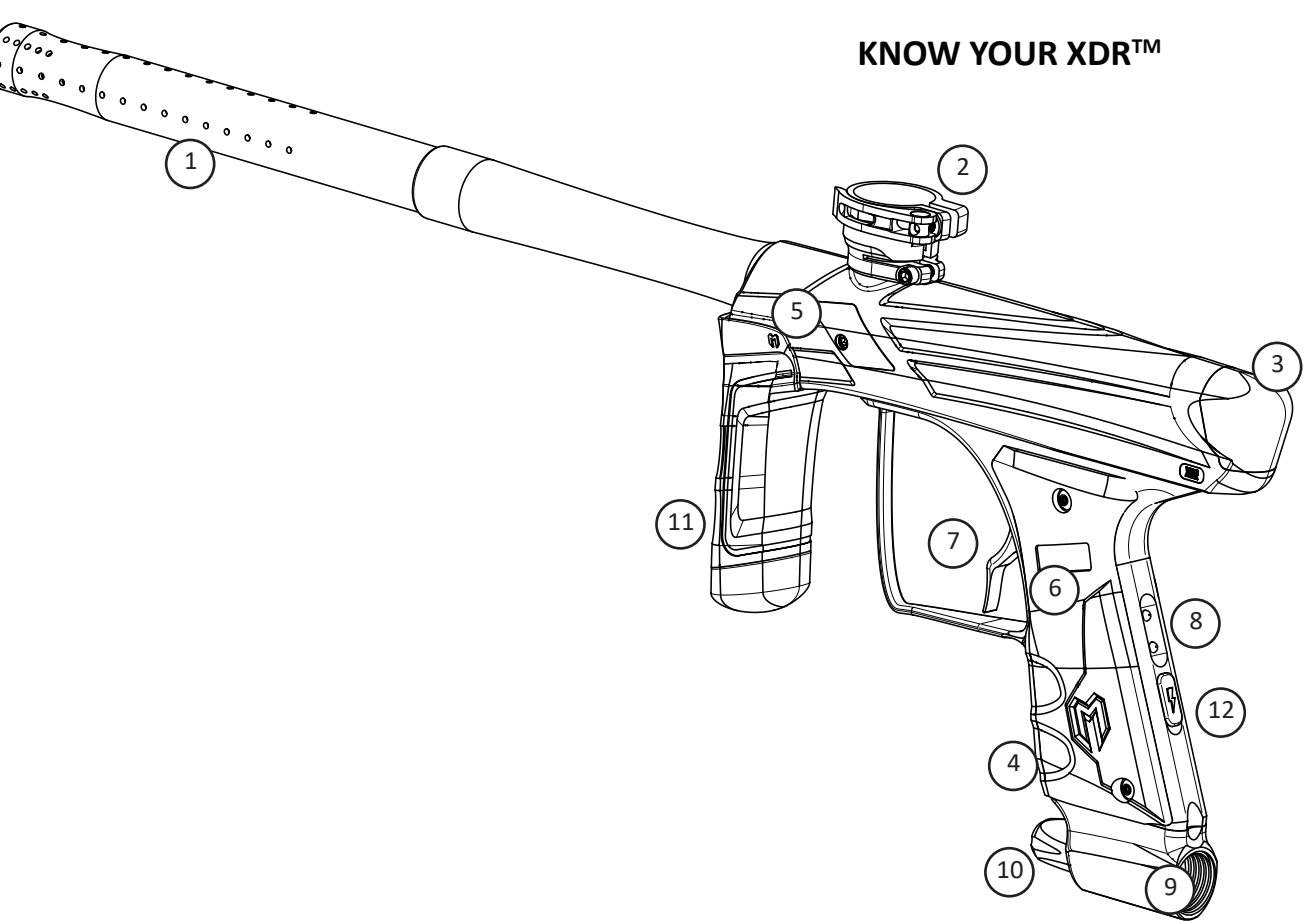
Solving common difficulties.

Common problems and solutions
Technical assistance

Specifications (Page 22)



KNOW YOUR XDR™



Congratulations on your purchase of a new MacDev XDR. Your marker uses a highly efficient spool valve drive for a flat, constant and accurate shot. The drive is powered by a high precision, low power solenoid valve, manufactured in house by MacDev. The entire system is controlled by a new generation, robust microprocessor running a proprietary operating system.

The latest features have been added around this powerful base core to bring you a marker with unrivalled usability, quality and reliability.

Please take the time to learn the parts of your XDR, it will help you when reading this manual.

Numbered basic parts as shown in the figure on the left:

1. Two piece XDR barrel
2. Feed clamp lever (used to affix your loader)
3. Drive cover (pull up and back to remove)
4. Velocity regulator adjustment (anti clockwise to increase velocity)
5. Eye covers (access detents here)
6. OLED display used to view gun status/settings
7. Trigger with screw adjustments
8. Power and programming buttons
9. Venting ASA, screw your air system in here
10. Venting ASA on/off cap (used to turn the air on or off)
11. Front grip assembly
12. USB charge point

Please note, the features and included accessories are subject to change, and may vary from those show in this manual.

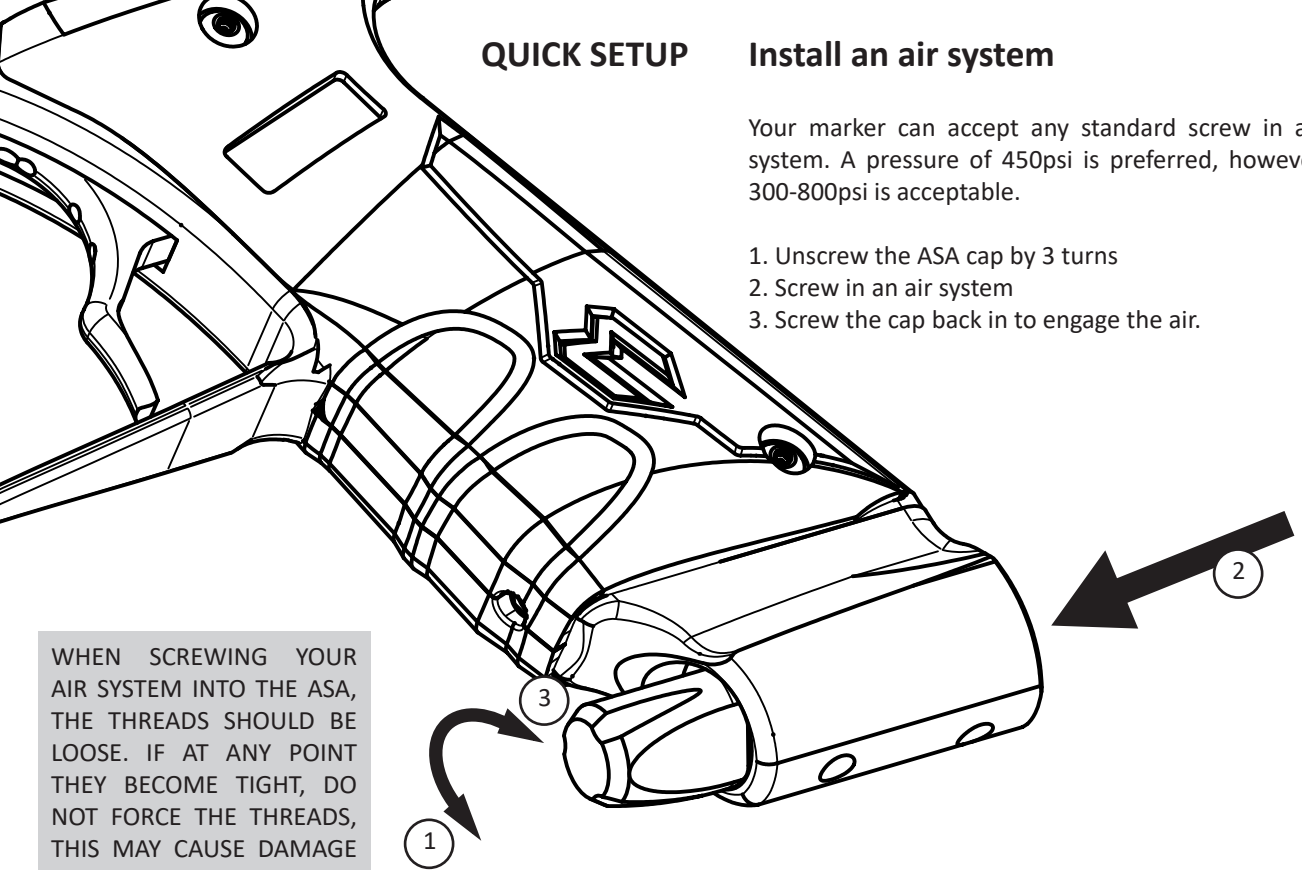
QUICK SETUP

Install an air system

Your marker can accept any standard screw in air system. A pressure of 450psi is preferred, however 300-800psi is acceptable.

1. Unscrew the ASA cap by 3 turns
2. Screw in an air system
3. Screw the cap back in to engage the air.

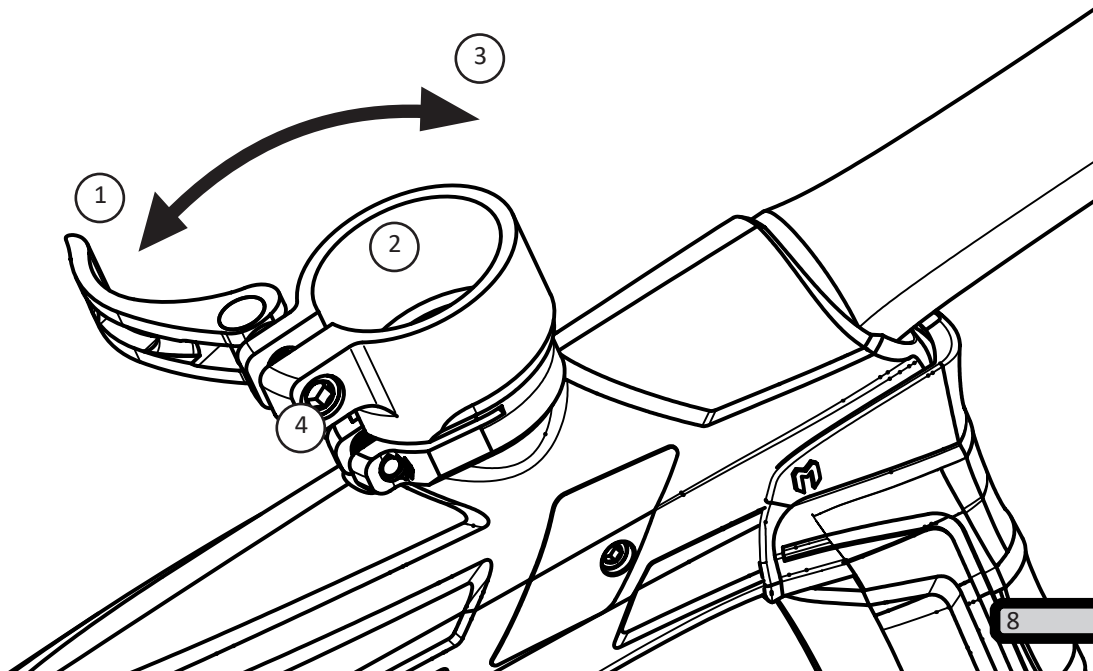
WHEN SCREWING YOUR AIR SYSTEM INTO THE ASA, THE THREADS SHOULD BE LOOSE. IF AT ANY POINT THEY BECOME TIGHT, DO NOT FORCE THE THREADS, THIS MAY CAUSE DAMAGE TO YOUR AIR SYSTEM OR YOUR MARKER!



Fit your loader

1. Open the lever
2. Push in your loader
3. Close the lever
4. Make fine adjustments to the clamp force using a hex key tool.

Use any loader you like with the elec frame version, your marker will use the beam sensor to wait for a ball before firing. If you would like to fire at a faster rate, use a faster loader. When using the mech frame accessory, use a fast leader, because the beam sensor is not used.




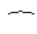


Turning on your marker

Tap the power button to turn on. Long press the power button to turn off.

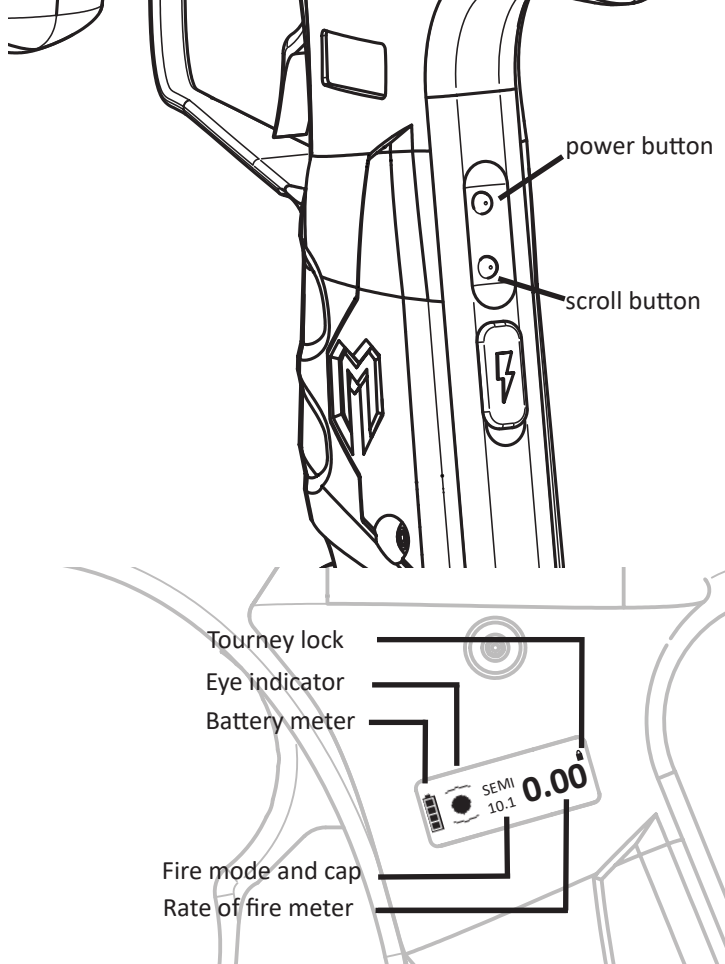
Long press the scroll button to toggle the eyes on and off.

Understanding the OLED display

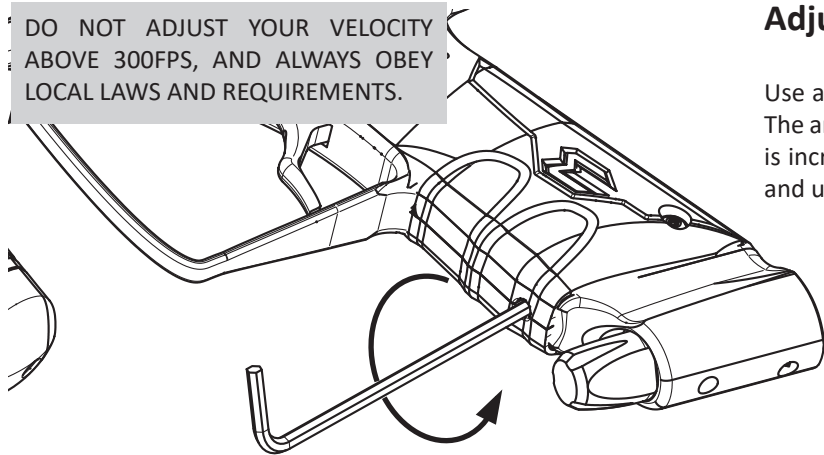
Your OLED display indicates the battery level, eye status, fire mode and recent rate of fire.

-  Ball loaded
-  No ball loaded
-  Bolt is not seen*
-  Eye system disabled

* Your marker looks for the bolt to move back and forth during firing. If this is not seen, your display will show a question mark. This is common if the marker does not have any air.



DO NOT ADJUST YOUR VELOCITY ABOVE 300FPS, AND ALWAYS OBEY LOCAL LAWS AND REQUIREMENTS.



Adjusting velocity

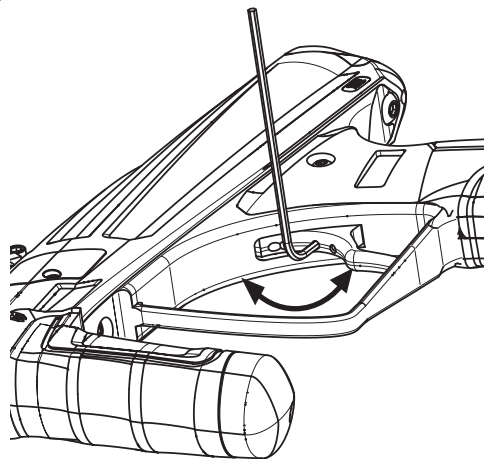
Use a 1/8" allen key to adjust velocity as shown. The arrow on the diagram is anti clockwise, which is increasing velocity. Always use a chronograph, and use small adjustments.

Adjusting the trigger

Your trigger has four adjustment screws, they are located in the front face of the trigger and also on the upper face. In order of top to bottom, they are the trigger rest point, spring tension, actuation point and stop point.

You can easily adjust these screws to personalise the feel of your trigger.

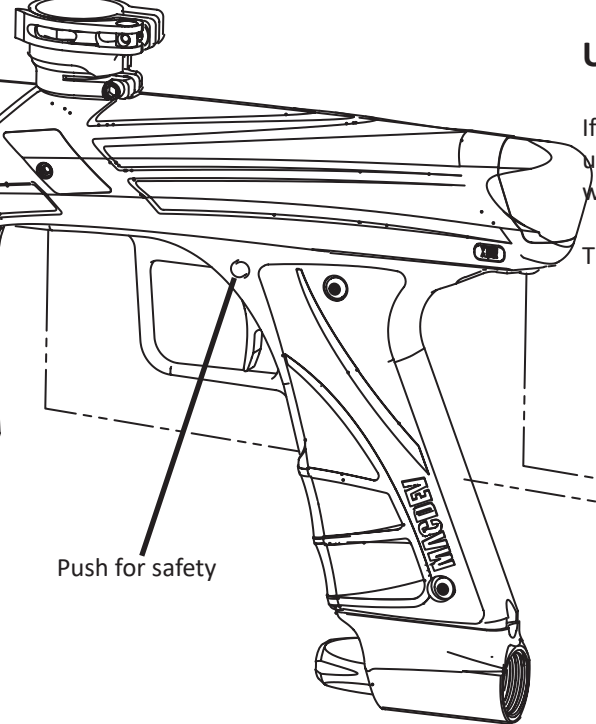
CAUTION! WHEN ADJUSTING THE SWITCH ACTUATION SCREW, MAKE CERTAIN THAT YOU DO NOT ADJUST THE SCREW IN TOO FAR, AS THIS MAY RESULT IN DAMAGE TO YOUR MICROSWITCH.



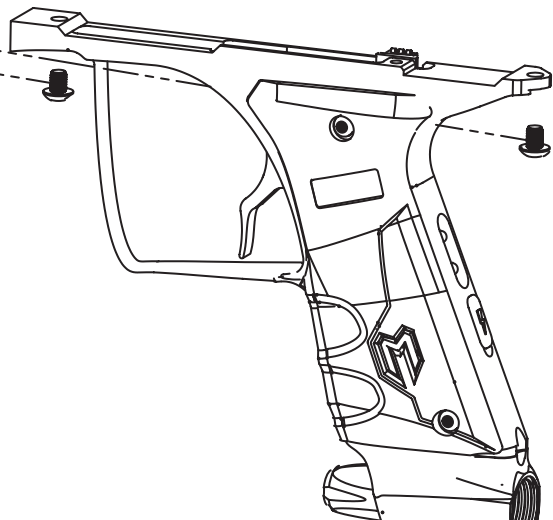
Using a mech frame accessory

If you have the mech frame accessory, you can change it the frame using the two frame mounting screws shown. This must be done without air in your marker.

The mech frame has a push safety (left hand side of the marker).



Push for safety



Charging your battery

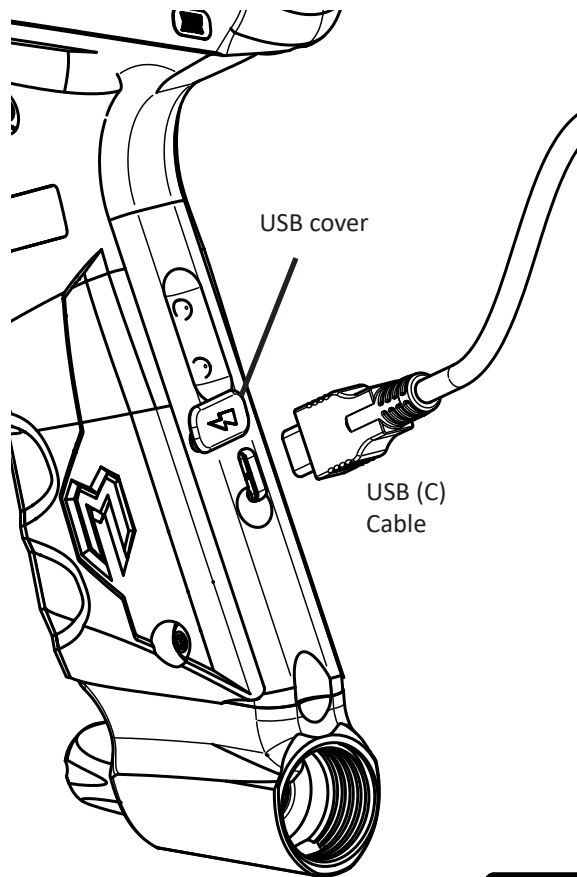
Your marker has a LiPO battery built in. Your marker is shipped with the battery charged, so you do not need to charge it before first use (usually).

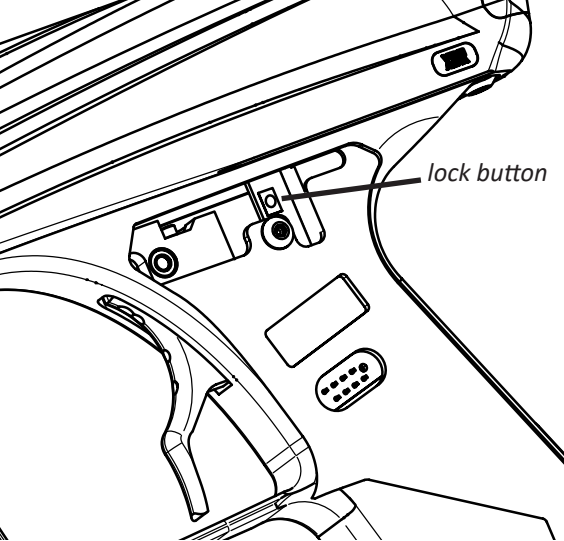
When the battery meter begins to fall, you can charge your battery. To access the battery charge point, gently swing aside the USB cover on the back of your gun, and use the included cable to charge your gun. A full charge will typically take approximately an hour.

Your OLED display will show a battery charging icon in place of the battery meter.

THE USB COVER IS JUST A PRESS IN COVER. IF YOU PULL IT TOO HARD IT MAY COME OUT. THE USB COVER WILL JUST SNAP BACK INTO PLACE .

The included USB cable can be used with any wall adaptor, computer USB port or power bank for convenient charging.





ADVANCED SETUP

Tourney lock

The marker board is equipped with a tourney lock system. When the tourney lock system is activated, the marker cannot be reprogrammed on the field - making it tournament legal.

If your board is in locked mode, you can view your settings, but a lock indicator will be shown on the right hand side of the screen, indicating that your board will need to be unlocked before settings may be changed.

The lock status can be changed by opening the left hand side of the marker wrap around grip to gain access to the circuit board. The tournament lock is a black button. Press and hold the tourney lock button until an on screen indication of tourney lock status is shown.

Entering program mode

To program the board, hold down the trigger whilst turning the marker on. When done correctly, you will see a message on your display screen indicating that programming mode is loading. You must continue to hold the trigger until the program mode is loaded, then release the trigger.

Finding and changing settings

Once in program mode, the OLED display will show a current setting. You can advance to the next setting by tapping the scroll button. You can go back to the previous setting by tapping the power button.

Once you have found a setting you would like to change, press and hold the trigger until the setting flashes. The setting can now be changed by tapping the scroll button to increase its value (or change to a different option), or tapping the power button to decrease its value.

Once you have adjusted the setting to a value you would like, press and hold the trigger again until the setting stops flashing, it has now been saved.

If your tourney lock is on, settings that can change the tournament legality of your marker will be locked. Their setting can be viewed, but not changed. You will know if the tournament lock is blocking editing, because a lock symbol will show in the upper left hand corner of the screen, and the setting will not flash as usual. If you would like to change a locked setting, you must open the wrap around grip and hold in the tourney lock button. This may be done inside program or normal running mode.

Settings in detail

Mode - The type of firing system used, semi auto, Millenium and PSP are common tournament modes. Ramp mode allows the programming of custom ramping behaviour.

ROF - This is the maximum rate of fire allowed by the marker. This setting is only observed if the next setting, rate of fire cap is set on.

ROF cap - If the cap is enabled, the marker will be limited to the ROF setting. Otherwise, it will fire as fast as the laws of physics (and paint supply) will allow.

Dwell - the amount of time your solenoid is given power - the Prime should be set to a maximum of 12ms. If the weather is very cold, or your marker requires it, you may set this a little higher.

Debounce - the amount of bounce filtering applied by the software. This setting may be increased to remove unwanted trigger bounce.

Ball delay - this is a parameter used to give a paintball time to settle in the breach of the gun. If you have unexplained ball breakage, then you may need to increase this setting.

Eye sensitivity - the sensitivity of the software to changes in your eyes. Please do not change this parameter unless directed (default 10).

Forced shot - when enabled, this will allow the user to force a shot by holding the trigger in - even if the eyes cannot detect a ball. Set this to off, if you would not like to use this function.

FSDO time - FSDO stands for First Shot Drop Off. If you leave your gun for some time, and the first shot is lower than it should be, then you can use this parameter to correct it. This parameter is the time that the software waits before correcting for FSDO.

FSDO dwell - this is the amount of extra dwell given to the solenoid to overcome FSDO - if directed to do so by the above parameter.

Ramp semishots - this setting (and the other three below) is only used if you are using the Ramp firemode. This is the number of semi auto shots which must be fired before ramping is allowed.

Ramp rate - this is the number of shots per trigger pull when in ramp mode.

Ramp ROF - this is the rate of fire which must be achieved and maintained to stay in ramp mode.

Ramp timeout - the amount of time the user can spend below the ramp ROF before ramping is exited.

Auto power off - save power by automatically turning the marker off after 30 minutes.

Load/Save profiles - Your marker has two profile save slots. Once you have your marker set up as you like it, go to save profile and select one of the profiles. Hold the trigger in on the profile number you would like, and the current settings will be save to that profile slot. You can reload them at any time using the load profile option.

There is an option under load profile, to load factory defaults.

Version information and shot counter is shown on the final setting screen.

MAINTENANCE

If you take 10 minutes after every day of play to maintain your marker, you will be rewarded with consistent reliable performance.

You should perform basic cleaning after every day of play, and you should perform drivetrain maintenance every 5 cases. You should perform inline regulator maintenance every 20 cases. You can clean and maintain your marker more often, it is up to you.

When maintaining your marker, use only MacDev accessories. Your marker is packaged with a small tube of MacDev Militia Lube, only use Militia Lube for lubrication.

Basic cleaning

After using your marker, always clean old paint from the outside. Always clean your barrel using a barrel swab to remove traces of dirt and paint. Use your barrel swab to clean the breech and feed tube in a similar way. Your marker internal parts are quite well protected and sealed. However, when not in use, dirt can get into the marker and cause problems - so storage of your marker is just as important as cleaning. When storing your marker, ensure that it is stored a bag that is free of dirt, otherwise dirt may get into the venting ASA or breech.

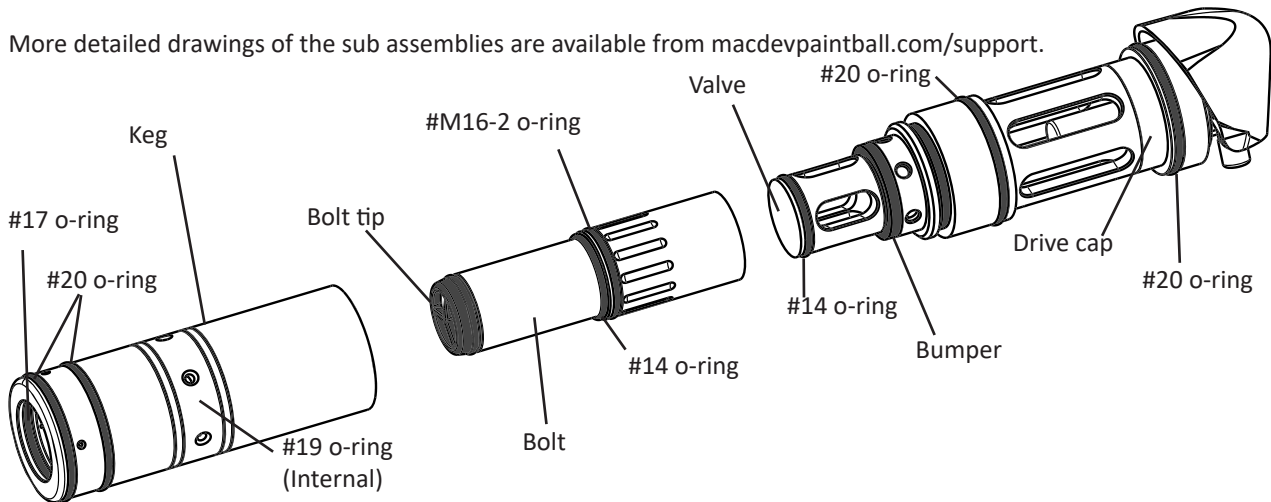
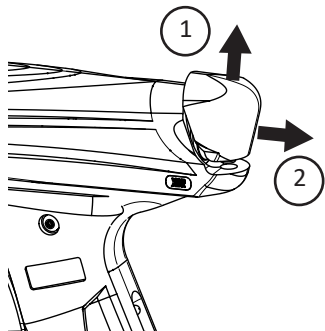
Maintaining the drivetrain (every 10,000 shots)

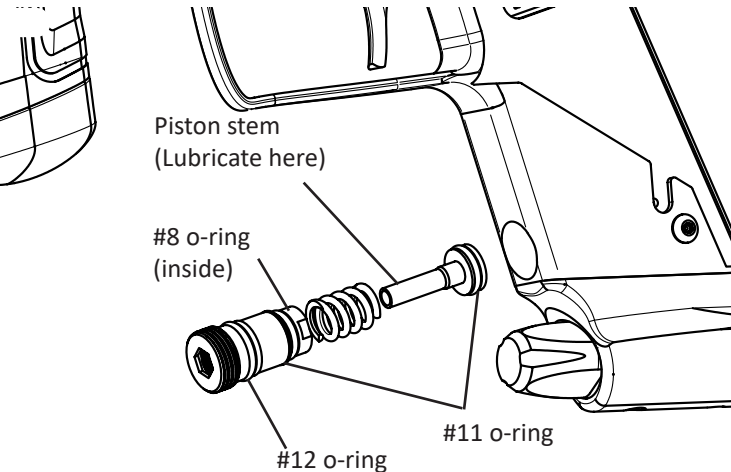
To maintain your drive, ensure your marker is fully degassed and pull the drive cover up to release the drive. Slide the drive out of your marker. Unscrew the drive parts to access the components shown in the diagram below.

Clean the old grease and dirt from the keg, bolt and valve. Apply fresh Militia Lube to the keg inner o-rings (#17 and #19). Apply fresh lube to the #M16-2 o-ring on the bolt, as well as the inside of the larger end of the bolt. Slide the bolt back into the keg. Apply fresh lube to the #14 o-ring on the valve and slide it into the bolt, then screw the valve into place. Complete

the drive assembly by screwing the valve cap back onto the valve. Lightly regrease the outside of the drive and slide it back into your marker.

More detailed drawings of the sub assemblies are available from macdevpaintball.com/support.





Unscrew regulator from frame
(degass marker first)

The piston may not come out with the regulator body. Never use pliers or any tool to grab the piston, this can damage it. Use a 1/8" allen key pushed into the centre hole of the allen key to help remove the piston if it is lodged in the frame bore.

Maintaining the inline regulator (40,000 shots)

Before working on your inline reg, make certain that the air supply is turned off (via the venting ASA), and safely fire any gas out of the gun to ensure it does not have any residual pressure.

To access the regulator, remove the left hand side of your wrap around grip. This will allow you to unscrew the body of the regulator.

Clean the inside of the frame bore with a q-tip, and remove old grease from the regulator piston. Apply new grease to the piston shaft, and the #11 o-ring on the piston, as well as the #8 o-ring.

Apply new grease to the inside of the frame bore before re-installing your regulator.

More detailed drawings of the sub assemblies are available from macdevpaintball.com/support.

TROUBLESHOOTING

If you are experiencing difficulties with your marker, please check this table first to see if there is an easy solution listed. If at any time you are unsure about how to work on your marker, please contact a certified MacDev technician or service centre.

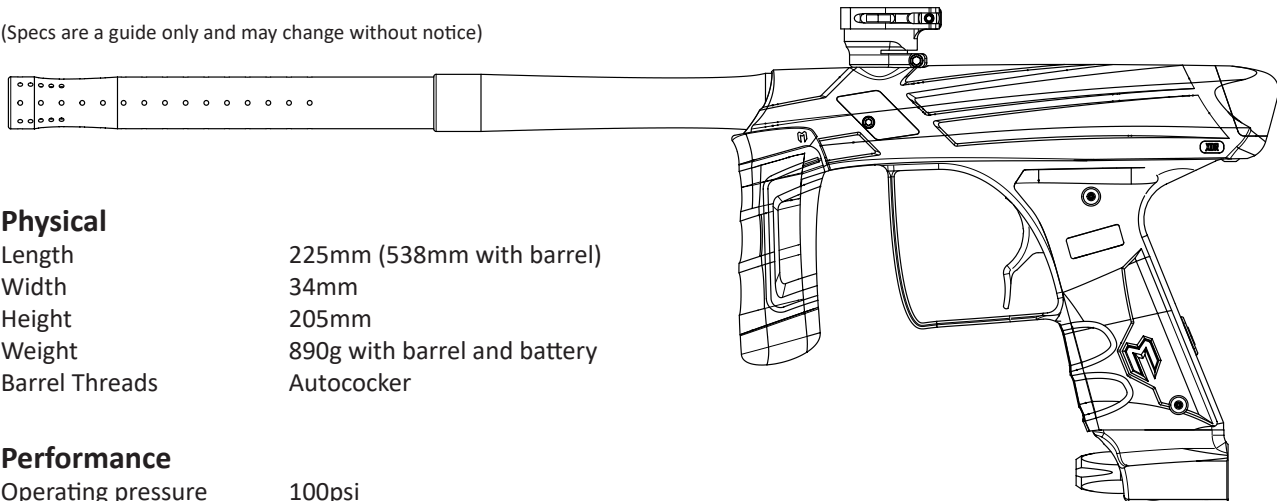
Symptom	Possible Cause	Solution
Marker will not turn on	Battery is flat	Ensure your battery is charged. Use different cables or power outlets to be sure they are operational.
Your marker leaks from the solenoid	Leaking bolt #M16-2 o-ring	Clean and re lubricate the drivetrain with particular attention to the bolt o-ring #M16-2. Replace if necessary.
	Solenoid installation or operational fault	Check the solenoid is mounted correctly. If mounting is correct and the seal is in place, contact your local tech.
	Pressure too high	Reduce the pressure setting on your inline regulator
Your marker uses excessive air	Keg internal number 19 o-ring leaks	Re lube and check the keg o-ring. Replace as necessary.
	General leak	Make certain that there are no leaks from your gun or air system wasting your air supply.

Symptom	Possible Cause	Solution
The beam sensor is not reading correctly	Bolt is not moving	Trying to cycle your marker without air can lead to sensor fault signals, ignore them unless your bolt is moving back and forth.
	Eyes are dirty	Check that the eyes are clean and not blocked. Clean with water and a swab inside the breach.
	Eyes are faulty	Replace the eye pair.
Your marker is chopping paintballs	Beam sensor is turned off	Always play with the beam sensor enabled.
	Beam sensor is dirty or blocked	Clean the breach with water and a swab, and wipe off the bolt tip.
	Loader is set on a force setting too high for your paintballs	Some force fed loaders can apply enough force to break a fragile paintball. If this is the case, consult your loader manual to reduce the force setting.
	Detents are missing or incorrectly installed	Replace or re-install your detents.
Your marker will not fire	The trigger is set up incorrectly	Ensure that the trigger actuates the micro-switch by adjusting the actuator screw.
	The beam sensor is on, and there are no paintballs loaded	Load some paintballs.
	The solenoid is not plugged in	Plug the solenoid into the board.

Symptom	Possible Cause	Solution
Your marker fires high on the first shot or inconsistently.	Creeping regulator	Clean and lubricate the regulator, ensure that the seat and piston are in good condition.
Your marker fires low on the first shot	Sticking drivetrain	Clean and relubricate the drivetrain. If you continue to have problems: -increase the dwell by 1-2 ms. -increase the ABS parameter on your board.

XDR SPECIFICATIONS

(Specs are a guide only and may change without notice)



Physical

Length	225mm (538mm with barrel)
Width	34mm
Height	205mm
Weight	890g with barrel and battery
Barrel Threads	Autococker

Performance

Operating pressure	100psi
Maximum Rate of Fire	25 BPS (only allowed with eyes on, and paint)

Electronics

Software	Militiasoft V1.xx
Hardware	XDR V1.2 (Lead Free)
Display	Single colour OLED, low power usage 128x32px
Power	LiPO 3.7V battery
Fire modes	Semi, NXL, PSP, Custom ramp, Full Auto
Connectivity	Mini USB
Solenoid	3V .5W

MACDEV TECHNICAL ASSISTANCE



If you require technical assistance, please contact your local MacDev service centre. You can also find assistance on the MacDev support website :
macdevpaintball.com/support



www.macdevpaintball.com

(c) Copyright 2021 Mac Developments Pty Ltd (MacDev).
MacDev - Proudly Australian

This paintball marker is covered by the following granted patents as well as international pending patents:
U.S. Patent Nos. 5,228,427; 5,755,213; 5,957,119; 6,260,821; 6,349,711; 6,494,195; 6,644,295; 6,644,296; 6,823,857;
6,694,963; 6,810,871; 7,017,497; 7,044,119.