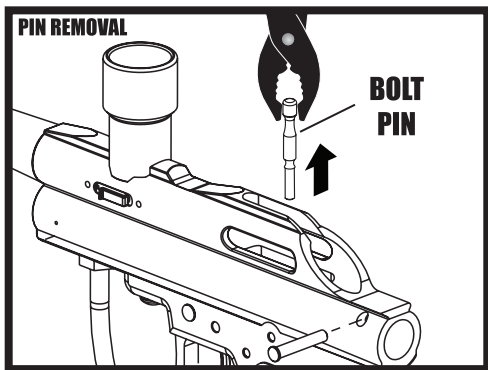


# **PLEASE READ**

The top cocking bolt pin on this marker is designed to allow for this marker to be easily field strippable for less down time and more action. In some cases, we have found this bolt pin to be difficult to remove. If this is the case with your marker, please use a pair of pliers to remove and then replace this pin with the additional (thinner) bolt pin that we have provided. If your bolt pin is performing as designed, please accept this pin as a spare part for your marker upkeep. We apologize for any inconvenience this may have caused you.



***PLEASE DO NOT RETURN  
TO THE PLACE OF PURCHASE.***

For assistance please call our customer service hotline

**877-877-GAME**

or go to

**[www.viewloader.com](http://www.viewloader.com)**



VIEWLOADER® P.O. BOX 1956  
ROGERS, AR 72757 U.S.A.  
P/N:142663-000