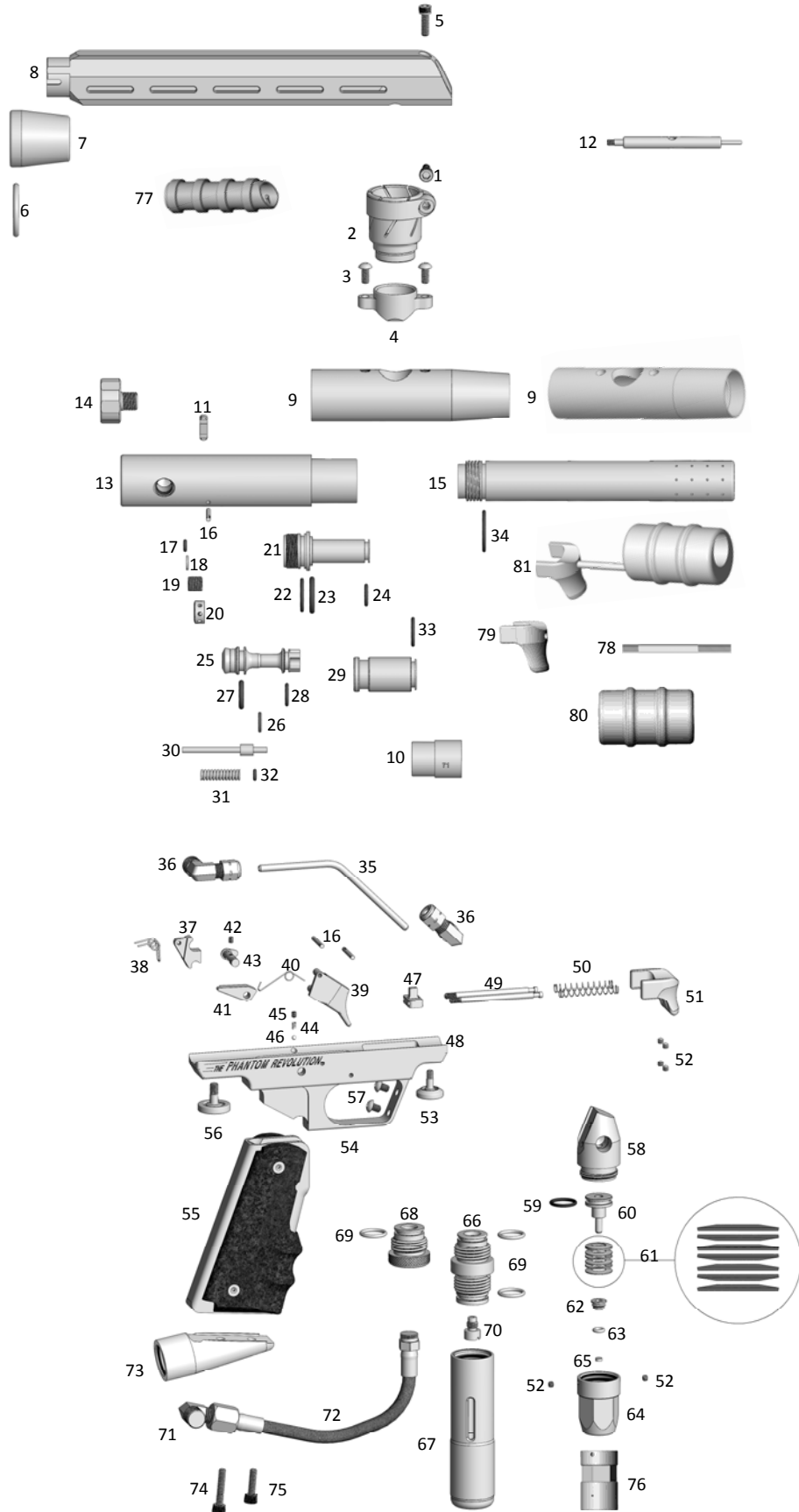


Phantom Revolution Parts List



Phantom Revolution Parts List

ITEM#	PART#	DESCRIPTION	PRICE
1	9324	10-32 x 3/8 SHCS	\$0.25
2	9023	Clamping Feed Neck	\$35.00
3	9215	8-32 x 3/8 BHS	\$0.20
4	1100	Feed Magazine	\$19.00
5	1117	8-32 x 1/2 SHCS	\$0.10
6	9024	Ball Retainer	\$0.50
7	9413	Feed Cap	\$3.85
8	1115	12 Round Feed Tube, No Cap	\$38.50
9	1075	Breech, 15/16-20	\$32.00
9	1080	Breech, Revolution	\$26.00
10	1082	Breech Sleeve .671	\$9.50
10	1083	Breech Sleeve .675	\$9.50
10	1084	Breech Sleeve .680	\$9.50
10	1085	Breech Sleeve .684	\$9.50
10	1086	Breech Sleeve .687	\$9.50
10	1087	Breech Sleeve .691	\$9.50
11	1105	Plug	\$9.00
12	1020	Tool, Extraction/Velocity	\$7.50
13	1011	Valve Body Assembly	\$88.00
14	9470	0-1200 PSI Gauge	\$6.00
15	9004	Barrel, 6"	\$22.00
15	9006	Barrel, 8"	\$22.00
15	9007	Barrel, 11"	\$26.00
15	9008	Barrel, 14"	\$28.00
16	1016	Pin, Trigger/Sear 3/32 x 3/4 Groved	\$0.10
17	1024	O-Ring #6, Plunger 80 Duro	\$1.25
18	1021	Washer .312 OD .147 ID .040	\$0.05
19	1019	Retainer	\$5.00
20	1018	Velocity Adjuster	\$13.00
21	1050	Power Port	\$15.00
22	1051	O-Ring #16, Power Port	\$1.60
23	1052	O-Ring #114, Power Port	\$0.10
24	1053	O-Ring #11	\$0.10
25	1030	Power Piston, Air	\$31.00
25	1031	Power Piston, CO2	\$31.00
26	1032	O-Ring #10, Power Piston Air	\$0.10
27	1036	O-Ring #111, Piston Rear	\$2.00
28	1035	O-Ring #12, Piston Front	\$1.50
29	1070	Bolt Cylinder	\$10.00
30	1040	Plunger	\$5.00
31	1041	Buffer Spring	\$1.10
32	1025	O-Ring #6, Plunger 90 Duro	\$1.25
33	1066	O-Ring #14, Reg Piston / Bolt	\$1.55
34	9010	O-Ring #014, Barrel	\$0.10
35	1013	Gas Line	\$6.00

ITEM#	PART#	DESCRIPTION	PRICE
36	9434	Compression Elbow 90 Degree	\$6.00
37	1015	Sear	\$15.00
38	1017	Sear Spring	\$2.00
39	1210	Trigger Revolution	\$19.00
40	1212	Trigger Spring	\$2.00
41	1211	Trigger Link	\$7.00
42	1203	4-40 x 1/8 Nylon SS, Trigger	\$0.10
43	1201	Safety Revolution	\$15.00
44	1204	Safety Spring	\$0.70
45	9523	4-48 x 1/8 SS, Safety	\$0.35
46	9522	3/32 Ball	\$0.35
47	1099	Connector Block	\$17.00
48	1090	Side Guide	\$3.00
49	1092	Slide Rod	\$6.50
50	1095	Pump Slide Spring	\$1.00
51	1094	Pump Slide	\$36.00
52	1091	6-32 x 1/8 SSS	\$0.25
53	9311	8-32 Thumb Screw	\$2.50
54	1200	Trigger Frame Revolution	\$110.00
55	3045	45 Style Grip w/ Hogue	\$39.00
56	9316	10-32 Thumb Screw	\$2.75
57	9458	8-32 x 1/4 BHS	\$0.25
58	1060	Upper Regulator Body	\$18.00
59	1066	O-Ring #14, Reg Piston / Bolt	\$1.55
60	1065	Regulator Piston	\$9.00
61	1061	Disc Spring	\$1.00
62	1062	Seat, Retainer	\$6.50
63	1063	O-Ring #7, Seat	\$1.40
64	1069	Lower Regulator Body, 1/8 FPT	\$24.00
65	1064	Seal, Base .150 OD .062 T	\$0.35
66	9415	Puncture Assembly	\$15.00
67	9410	Housing	\$7.00
68	9455	Reducer 1/8 FPT	\$6.00
69	9416	O-Ring #14 x 2	\$0.20
70	9038	Piercing Pin Assembly	\$8.75
71	9436	90 Degree Elbow	\$3.00
72	9456	Hose Assembly, 7"	\$10.00
73	3050	Bottom Line Air System Adapter	\$18.00
74	3051	10-32 x 3/4 SHCS	\$0.20
75	9322	10-32 x 1/2 SHCS	\$0.25
76	1067	Lower Regulator Body, ASA	\$24.00
77	1120	Sight Ring, Revolution	\$46.00
78	1093	Pump Rod Revolution	\$8.00
79	1096	Pump Slide 10-32	\$36.00
80	1097	Pump Revolution	\$22.00
81	1089	Pump Slide Kit	\$66.00

Component Concepts, Inc., 530 South Springbrook Road, Newberg, OR 97132

Phone: (503) 554-8095 Fax: (503) 554-9370

www.phantomonline.com / cci@phantomonline.com