



CLONE 5 INFINITY DRIVE

- Infinity Drive assembly
- spare bolt tip
- spare bolt switch o-ring (ORM16-2)

Part code: X5IDUK

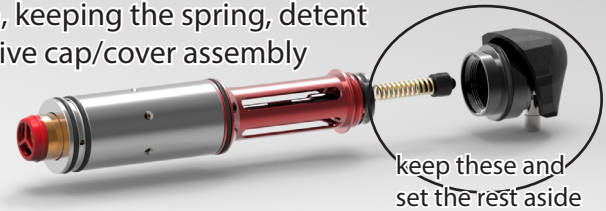
This upgrade kit assumes you have a complete Clone 5 drive, as some parts are re-used (drive cap, drive cover, detent and spring)

macdevpaintball.com

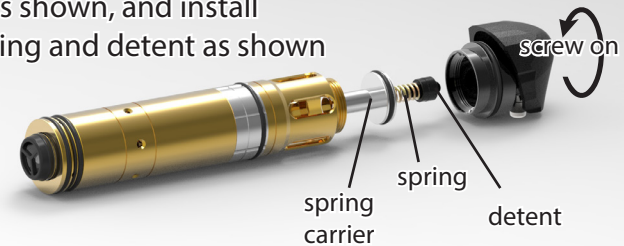
STEP 1: degas your gun and remove your old Clone 5 drive



STEP 2: Unscrew the drive cap as shown, keeping the spring, detent and drive cap/cover assembly



STEP 3: make sure the spring carrier is in place as shown, and install the spring and detent as shown

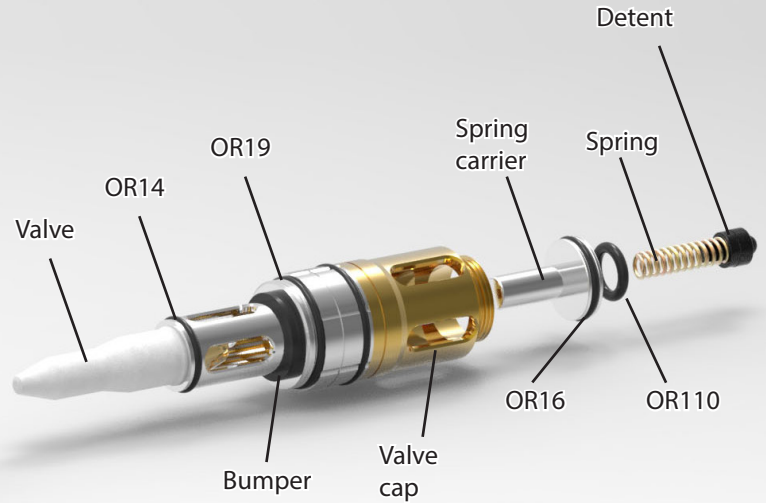
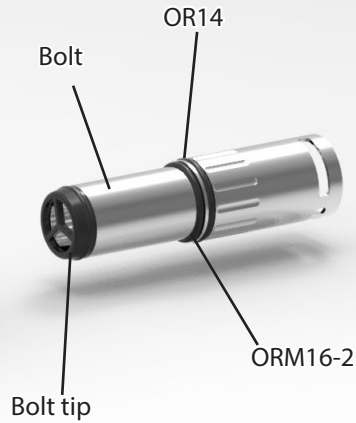
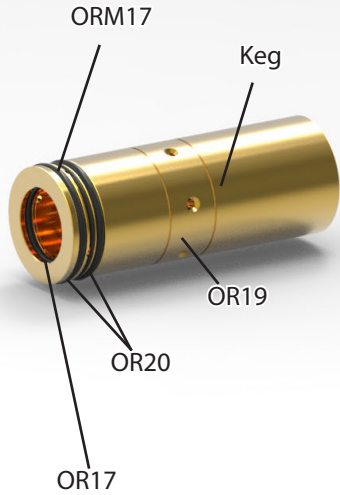


STEP 4: Screw the back cap and cover assembly in place. The cover should click up and down as usual



Now your drive is ready to use!

INFINITY DRIVE PARTS



Need help or spares?

Visit macdevpaintball.com
for all spares, and to contact
a tech.