



ON/OFF REGULATOR ASA

On/Off ASA Installation

For manuals and warranty details, go to: paintballsolutions.com

For manuals in other languages, (where applicable), go to: paintballsolutions.com

Safe Marker Handling

Important: Never carry your marker uncased when not on a playing field. The non-playing public and law enforcement personnel may not be able to distinguish between a paintball marker and firearm. For your own safety and to protect the image of the sport, always carry your marker in a suitable marker case or bag.

Safety and safe marker handling are the most important aspects of paintball sports. Please practice each of the following steps with an unloaded marker before attempting to operate your marker with an air source and paintballs.

- Every person within range must wear eye, face and ear protection designed specifically to stop paintballs and meeting ASTM standard F1776.
- Treat every marker as if it were loaded.
- Never look down the barrel of a paintball marker.
- Do not install an air source or load paintballs into your marker until you have completely read and understood this manual and feel completely confident with your ability to handle your marker safely.
- Keep the markers safety on until ready to shoot.
- Keep your finger out of the trigger guard and away from the trigger; point the muzzle of the marker in a safe direction at all times.
- Keep the barrel blocking device in/on the markers barrel when not shooting.
- Store the marker unloaded and degassed in a secure place.
- Follow warnings listed on the air source for handling and storage.
- Do not shoot at fragile objects such as windows.
- Never shoot at velocities in excess of 300 feet-per-second.
- Always keep your marker pointed in a safe direction and use a barrel blocking device.
- Remember that the ultimate safety device is you, the operator.

Warning: Eye protective devices designed specifically for paintball use must be worn by the operator and anyone within range (fig. 1).

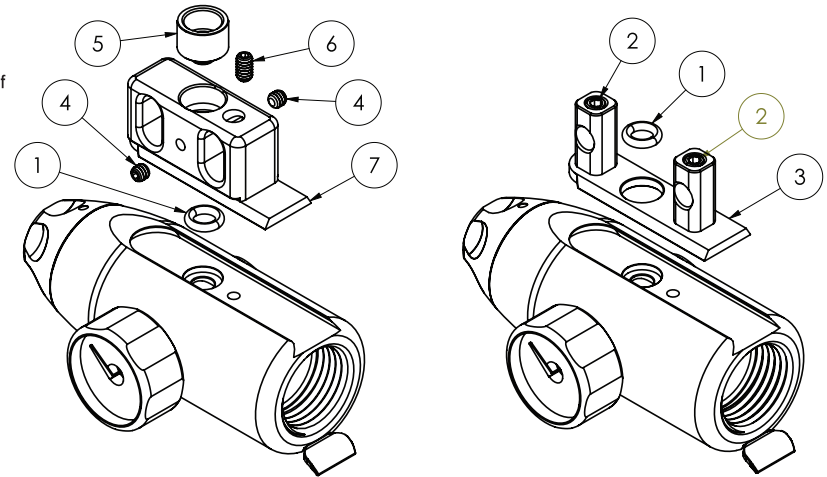
CAUTION: Before attempting to perform any maintenance operations, make sure that all paintballs and propellant sources have been removed from the marker. Install a barrel blocking device, marker must be unloaded, degassed and the pressure gauge reads zero before installing the on/off ASA.



Empire Paintball, 570 Mantua Blvd., Sewell, NJ, 08080
EMPIRE IS A BRAND OF KEE ACTION SPORTS, LLC

Invert Mini Installation

- Using a 5/64" Allen wrench, remove the four grip screws and the grips.
- Loosen the two regulator mount set screws, which are located at the base of the trigger frame, with a 3/32" Allen wrench, they do not need to be removed.
- Remove the regulator and regulator mount from the frame, by pulling them straight down, making sure not to lose the female air tube bottom O-ring.
- Slide the regulator mount out of the stock regulator.
- Make sure the bottom female air tube O-ring (#1) is in place on the tube.
- Slide the regulator mount into the dovetail slot on the new on/off regulator.
- Put the regulator with mount back into the grip frame.
- Tighten the two regulator mount set screw making sure once tightened, the regulator is flush to the frame and tight.
- Re-install the grips and grip screws.



BT TM-7 and TM-15 Installation

To install the on/off regulator ASA onto your TM series marker, it will be necessary to remove the main body and regulator as an assembly from the outer shells. Please refer to your owner's manuals for instructions or visit Paintballsolutions.com.

- Loosen the two regulator locking set screws on each side of the stock regulator using a 1/16" Allen wrench, some early model TM-7's will not have the two set screws.
- Unscrew the regulator from the air transfer tube and set a side.
- Remove the two set screws (#4) from the regulator adapter (#7) using a 1/16" Allen wrench.
- Using a 1/8" Allen wrench turn the air adapter (#5) counter clockwise until it does not protrude below the bottom of the air adapter.
- Make sure O-ring (#1) is still in place on the bottom of the air adapter (#5).
- Slide the TM regulator adapter (#7) into the dovetail slot on the on/off regulator.
- Using a 1/8" Allen wrench tighten the air transfer adapter (#5) until it stops, check that the adapter is now locked in place and does not slide.
- Next tighten down the adapter locking set screw (#6) with a 1/16" Allen wrench.
- Screw the on/off regulator ASA assembly onto your marker's air tube until it can not go in any further, and then turn it the other way until the front of the regulator is facing forward.
- Place the assembly into the right side shell and make sure the regulator is sitting flush within the shell. Install and tighten the one regulator locking set screw (#4) that is visible on the left side of the regulator, using a 1/16" Allen wrench.
- Remove the assembly, then install and tighten the other regulator locking set screw (#4) on the other side of the regulator. The regulator should not be able to twist once both set screws are tightened.
- Place the body assembly back in the right side shell and re-assembly your marker.

Parts

REF #	DESCRIPTION	SKU #
1	O-ring	17555
2	Set Screw (10-24 x .250)	17557
3	Regulator Mount	17556
4	Set Screw (6-32 x .250 point)	17630
5	Air Transfer Adapter	17631
6	Set Screw (6-32 x .250 cup)	17523
7	TM Regulator Adapter (TM7 & TM-15)	17632



ON/OFF REGULATOR ASA



WARNING! This is not a toy. Misuse can cause serious injury or death. Eye protection designed specifically for paintball. Must be worn by the user and person's within range. Recommend 18 years of age or older to purchase. Person under 18 years of age must have adult supervision.