

# TIPPMANN®

2955 Adams Center Road, Fort Wayne, IN 46803 USA  
P) 260-749-6022 • F) 260-749-6619  
[www.Tippmann.com](http://www.Tippmann.com)

# TCR®

## TACTICAL COMPACT RIFLE .68 CALIBER PAINTBALL MARKER OWNER'S MANUAL

CALIBRE .68 LANCEUR DE PAINTBALL  
MANUEL D'UTILISATION

MACADOR PARA PAINTBALL CALIBRE .68  
MANUAL DEL USUARIO



**WARNING**

**This is not a toy. Misuse may cause serious injury or death. Eye, face, and ear protection designed for paintball must be worn by the user and any person within range. We recommend you be at least 18 years old to purchase. Persons under 18 must have adult supervision when using this product. Read the Owner's Manual before using this product.**

**AVERTISSEMENT**

**Ceci n'est pas un jouet. Une mauvaise utilisation peut causer de sérieuses blessures ou la mort. Une protection pour les yeux, la tête et les oreilles adaptée au paintball doit être portée par l'utilisateur ainsi que tous les utilisateurs situés dans le champ de tir. Nous recommandons que l'acheteur ait au moins 18 ans. Les personnes de moins de 18 ans doivent être supervisées par un adulte durant l'utilisation de ce produit. Lisez le Manuel avant d'utiliser ce produit.**

**ADVERTENCIA**

**Esto no es un juguete. Un uso inapropiado puede causar serias heridas o la muerte. Ojos, cara y oídos deben ser protegidos todo el tiempo, con la protección diseñada para paintball tanto por jugadores como por cualquier persona que este en el radio de alcance. Recomendamos al menos 18 años para la compra y uso. Las personas menores de 18 años deben usar este producto bajo la supervisión de un adulto. Lea el Manual del Usuario antes de usar este producto.**

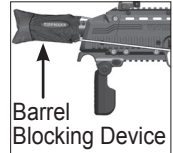
**! WARNING**

**Safety is Your Responsibility**

Read and familiarize yourself and any other user of this marker with the safety instructions in this manual. Follow these instructions when using, working on, transporting, or storing this marker.

Always keep the trigger safety in Safe mode when not in a shooting situation, see instructions on page 6.

Always keep the barrel blocking device installed when not in a shooting situation, see instructions on page 4.



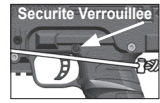
**! AVERTISSEMENT**

**La Securite est Votre Responsabilite**

Lisez et familiarisez-vous ainsi que tout autre utilisateur de ce lanceur avec les instructions de securite contenues dans ce manuel. Suivez ces instructions lorsque vous utilisez, travaillez sur, transportez, ou entreposez ce lanceur.

Toujours maintenir le bouton en mode sécurité lorsque vous n'êtes pas en situation de jeu, voir les instructions de la page 3. Gardez toujours le dispositif de blocage du canon

installe lorsque vous n'etes pas en situation de tir comme indique dans les instructions en page 1.



**! ADVERTENCIA**

**La Seguridad es Su Responsabilidad**

Lea y familiaricese usted y cualquier otro usuario de este marcador con las instrucciones de seguridad de este manual. Siga estas instrucciones cuando se utiliza, trabajando, transporte, o almacenar este marcador.

Mantenga siempre el seguro del gatillo seguridad en modo seguro cuando no se encuentra en una situación de captura, consulte las instrucciones en la página 3.

Mantenga el mecanismo de bloqueo del barril instalado cuando no este haciendo disparos como se ilustra en la página 1.



**Tippmann Sports, LLC**

2955 Adams Center Road, Fort Wayne, IN 46803 USA  
 P) 260-749-6022 • F) 260-749-6619 • [www.Tippmann.com](http://www.Tippmann.com)

**Tippmann Sports Europe, SPRL**

Rue du Mont D'Orcq 16, Z.I. Tournai Ouest, 7503 Froyennes, Belgium  
 Telephone +32 (0) 69 549 578 • [europeservice@tippmann.com](mailto:europeservice@tippmann.com) • [www.Tippmann.com](http://www.Tippmann.com)

**⚠ WARNING**

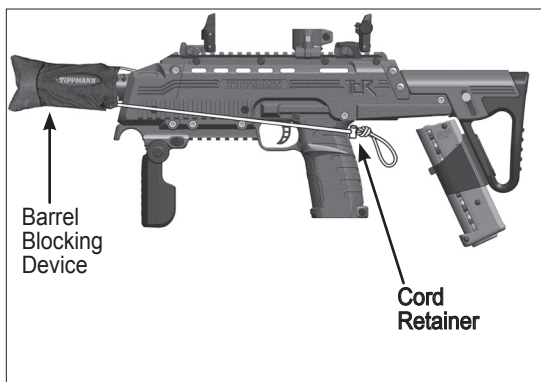
**This is not a toy. Misuse may cause serious injury or death. Eye, face, and ear protection designed for paintball must be worn by the user and any person within range. We recommend you be at least 18 years old to purchase. Persons under 18 must have adult supervision when using this product. Read the Owner's Manual before using this product.**

**⚠ WARNING**

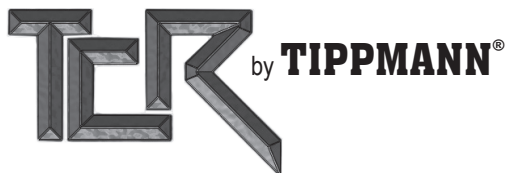
**Always keep the barrel blocking device installed except when your marker is in use. Always make sure that the trigger safety is in the safe mode (see instructions on page 6) and the barrel blocking device is properly installed on your marker according to the instructions to prevent damage to property, serious injury, or death.**

**Barrel Blocking Device Installation Instructions**

1. Place the barrel blocking device onto the barrel and loop the cord under the grip, and position at the back of the grip as shown.
2. Push in the button of the cord retainer and pull the cord through it until the retainer is snug against the back of the grip. Release the cord retainer button. Keeping the cord as tight as possible, leave just enough cord elasticity to pull the cord retainer from the marker to remove the Barrel Blocking Device for firing.



3. After the cord length is properly adjusted, lock the cord length by tying a knot in the cord against the back of the retainer as shown.
4. Before and after playing, inspect the barrel blocking device. Replace the barrel blocking device if the cord is damaged or there is a loss of cord elasticity.
5. Clean the barrel blocking device with plain, warm water and store out of sunlight in a dry area when not in use.



CONGRATULATIONS on your purchase of a Tippmann Tactical Compact Rifle (TCR) paintball marker. We believe our TCR marker to be the most versatile magfed marker in paintball. Your Tippmann TCR marker will provide many years of dependable service if cared for properly.

Please take time to read this manual thoroughly and become familiar with your Tippmann TCR marker's parts, operation, and safety precautions before you attempt to load or fire this marker. If you have a missing or broken part, or need assistance, please contact Tippmann Customer Service at 1-800-533-4831 for fast, friendly service.

## TABLE OF CONTENTS

Barrel Blocking Device Installation Instructions.....	4
Warning/Liability Statement.....	6
Getting Started .....	8
1. CO2 Cartridge Installation .....	8
2. Removing the Magazine and Loading .....	9
3. Firing the Marker .....	9
4. Unloading the Magazine.....	10
5. Flip Up Sights .....	10
6. Vertical Folding Grip .....	10
7. Hopper Feed Option .....	10
Velocity Adjustment .....	11
CO2 Cartridge Removal .....	11
Removing an Unused CO2 Cartridge (Non-Punctured) .....	11
Removing a Used CO2 Cartridge (Punctured) .....	12
Adjust TCR for CO2 Cartridges .....	12
Cleaning & Maintenance .....	12
Magazine Disassembly, Reassembly, and Testing.....	13
TCR Disassembly/Assembly .....	14
Firing Valve Disassembly/Assembly .....	16
Air Valve Disassembly/Assembly.....	16
Puncture Valve Disassembly/Assembly.....	17
Regulator Disassembly/Assembly .....	18
Remote Line Adapter Assembly .....	18
Hopper Feed Installation .....	18
Release Pressure From a Marker That Will Not Fire.....	19
Regulator Pressure Relief Valve Adjustment.....	19
Troubleshooting.....	20
Using a Remote Line with TCR .....	22
Air/CO2 Cylinder Warnings.....	23
Air/CO2 Cylinder Safety Tips.....	24
Repairing Air/CO2 Cylinder Leaks.....	24
Storage .....	25
Specifications .....	25
TCR Parts Diagram and Parts List .....	26-28
Warranty and Repair Information.....	30



## Warning/Liability Statement

This marker is classified as a dangerous weapon and is surrendered by Tippmann Sports, LLC with the understanding that the purchaser assumes all liability resulting from unsafe handling or any action that constitutes a violation of any applicable laws or regulations. Tippmann Sports, LLC shall not be liable for personal injury, loss of property or life resulting from the use of this weapon under any circumstances, including intentional, reckless, negligent or accidental discharges.

All information contained in this manual is subject to change without notice. Tippmann Sports, LLC reserves the right to make changes and improvements to products without incurring any obligation to incorporate such improvements into products previously sold.

If you as a user do not accept liability, Tippmann Sports, LLC requests you do not use a Tippmann Sports, LLC marker. By using this paintball marker you release Tippmann Sports, LLC of any and all liability associated with its use.

## SAFETY IS YOUR RESPONSIBILITY!

 <b>WARNING</b>	
<p><b>Except when your TCR marker is in use, always make sure that the trigger safety is in Safe mode, and that the barrel blocking device is properly installed (see page 4).</b></p> <p><b><u>To turn ON the trigger safety (Safe mode), push in the safety button (arrow) as shown at right.</u></b></p> <p><b><u>To turn OFF the trigger safety (Fire mode), push in the safety button from the opposite side of the receiver.</u></b></p>	

The ownership of this marker places upon you the total responsibility of its safe and lawful use. You must observe the same safety precautions as you would any firearm to assure the safety of not only yourself but everyone around you. Outlined here are some general precautions to be aware of. The user should at all times use caution and common sense when using this marker and always remember that the game of paintball can only survive and grow if it remains SAFE!

- Do not load or fire this marker until you have completely read this manual and are familiar with its safety features, mechanical operation and handling characteristics.
- Handle this and any marker as if it were loaded at all times.
- Keep your finger off the trigger until you are ready to shoot.
- Do not look down the barrel of a paintball marker. Accidental discharge into the eyes may cause permanent injury or death.
- Keep the marker in Safe mode until ready to shoot (see Warning above).
- Keep the barrel blocking device installed on marker when not shooting (page 4).
- Never point the marker at anything you do not intend to shoot.

- Never fire your marker at anything you do not intend to shoot because there may be paintballs or foreign debris lodged in the chamber, barrel, and/or the marker valve.
- Do not shoot at fragile objects such as windows.
- Never fire your marker at personal property of others. The paintball impact can cause damage and the paint can stain the finish of automobiles, houses, etc.
- Always keep the muzzle pointed down or in a safe direction, even if you stumble or fall.
- Eye, face, and ear protection designed specifically to stop paintballs in the form of goggles and full face mask meeting ASTM Specification F 1776 must be worn by the user and any person within range.
- Never shoot at a person who is not protected by eye, face, and ear protection designed for paintball.
- Pressurize and load the marker only when the marker will be immediately used.
- Store the marker unloaded and degassed in a secure place.

NOTE: Before storing or disassembling, be sure to remove paintballs and air/CO<sub>2</sub> supply (see unloading and air/CO<sub>2</sub> removal instructions on pages 10 -12). Make sure the trigger safety is in Safe mode (page 6) and install the barrel blocking device (page 4).

- Do not field strip or otherwise disassemble this marker while it is pressurized with air/CO<sub>2</sub> supply.
- Dress appropriately when playing the game of paintball. Avoid exposing any skin when playing the game of paintball. Even a light layer will absorb some of the impact and protect you from the paintballs.
- Keep exposed skin away from escaping gas when installing or removing air/CO<sub>2</sub> cylinder or if the marker or air/CO<sub>2</sub> supply is leaking. Compressed air, CO<sub>2</sub>, and nitrogen gasses are very cold and can cause frostbite under certain conditions.
- Use only .68 caliber paintballs. Never load or fire any foreign objects.
- Avoid alcoholic beverages before and during the use of this marker. Handling markers while under the influence of drugs or alcohol is a criminal disregard for public safety.
- Avoid shooting an opponent at point blank, 6 feet or less.
- Familiarize yourself with instructions listed on air/CO<sub>2</sub> cylinder or adapter. Contact the air/CO<sub>2</sub> cylinder or adapter manufacturer with any questions.
- Read the *Air/CO<sub>2</sub> Cylinder Warnings* and *Safety Tips* on pages 23–24 before beginning the cylinder installation or removal.
- Always measure your marker's velocity before playing paintball and never shoot at velocities in excess of 300 feet per second (see instructions on page 11).
- Do not brandish or display this product in public as it may cause confusion and may be a crime. Police or others may mistake this product for a real firearm. Altering the coloration or markings required by state or federal law to make the product look more like a firearm is dangerous and may be a crime.

## Getting Started

- Eye protection designed for paintball use must be worn by the user and any person within range.
- Do not disassemble this marker while it is pressurized.
- Do not pressurize a partially assembled marker.
- Read each step completely before performing the instruction.

NOTE: Carefully hand start all threaded parts when assembling, and do not overtighten, as this may potentially strip the threaded parts. In this manual, item numbers of parts are in parentheses. You can also find these item numbers in the Parts Diagram on pages 26-27.

### **⚠ WARNING**

**Keep exposed skin away from gas escape points (arrows) when installing or removing a CO2 cartridge, or if the marker or air supply is leaking. Compressed air, CO2, and nitrogen gasses are very cold, and can cause frostbite under certain conditions. Eye protection designed for paintball use must be worn by the user and any person within range.**



### 1. CO2 Cartridge Installation

If you intend to use a Remote Line with the TCR, read the *Air/CO2 Cylinder Warnings, Safety Tips, and Removal* on pages 23-24 before beginning the cylinder installation. Do not pressurize a partially assembled marker. Follow the Remote Line instructions starting on page 22, then go to step 2 on page 9.

- Put the trigger safety in Safe mode (see page 6) and install the barrel blocking device (see page 4).
- Open the left side Picatinny Rail as shown.
- If applicable, tip the muzzle end of the Barrel downward to allow an existing CO2 cartridge to clear the opening.
- If applicable, tilt the marker to the left and raise the muzzle upwards. An existing CO2 cartridge will fall from the marker.
- Clean the small end of a full 12 gram CO2 cartridge. Tip the muzzle downward and insert a new cartridge into the marker oriented as shown by the arrow at right.
- Close the left side Picatinny Rail to the marker.



Note: The CO2 cartridge is NOT punctured during installation. After you move the trigger safety to Fire mode, the first pull of the Trigger punctures the CO2 cartridge without firing. You can hear the CO2 cartridge pressurize the marker. Your marker is now ready to fire on the next Trigger pull.

**IMPORTANT:** If your marker begins to leak gas, keep exposed skin away from the escaping gas (the arrows in the WARNING illustration above show gas escape points) and follow *CO2 Cartridge Removal* instructions on page 11 (on page 22 for markers using a Remote Line)



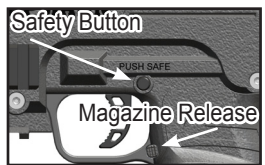
and then go to *Troubleshooting* on page 20.

If you want to move the CO2 access door to the other side of the marker, follow step 5 on page 15 in *TCR Disassembly/Assembly*.

**2. Removing the Magazine and Loading**

The barrel blocking device must be installed (see page 4) and the trigger safety in Safe mode (see arrow at right and also see page 6).

A seven ball Magazine and a twelve ball Magazine are provided. The 12 ball magazine is capable of holding First Strike rounds as well as .68 caliber paintballs. If you choose to use First Strike paintballs, read and understand the Warning below. The 7 ball magazine will only hold .68 caliber paintballs.



- a. To remove the Magazine, push in the Magazine Release button and the Magazine ejects out the bottom of the grip.
- b. For the 7 ball magazine, use tabs on the side of the Ball Carrier to pull it down until it locks into place at the bottom of the Magazine. Load 12 paintballs into the 12 ball magazine to lock down the ball carrier.
- c. Keep the Magazine vertical as shown, and insert one paintball at a time into the top of the Magazine until full. Paintballs in the Magazine are not under pressure until the Magazine is inserted into the marker.
- d. To insert a loaded Magazine into the marker, slide the Magazine into the grip until you hear it lock into place.



**⚠ WARNING**

**This paintball marker is not a toy. Misuse may cause serious injury or death. If “First Strike” paintballs, or other non-spherical or shaped paintballs are used, extreme caution is required. “First Strike” paintballs will travel a greater distance than standard paintballs. Eye, face, and ear protection designed for paintball must be worn by the user and any person within range. Some fields may not allow the use of “First Strike” paintballs. Markers must be chronographed to ensure that velocity does not exceed 300 fps and/or any velocity limitation imposed by the field. This paintball marker is built to meet or exceed the requirements of ASTM standard F2272. “First Strike” paintballs, and other non-spherical or shaped paintballs, may not comply with ASTM standard F1979.**

**3. Firing the Marker**

Eye protection designed for paintball use must be worn by the user and any person within range. Point the marker in a safe direction. Remove the barrel blocking device from the marker. Move the trigger safety from Safe mode to Fire mode. Pull the Trigger to fire the marker. Each pull of the Trigger fires one paintball.

NOTE: If your marker does not fire after you have successfully loaded and punctured your CO2 cartridge, put the trigger safety into Safe mode (see page 6), install the barrel blocking device (page 4), and go to Troubleshooting on page 20.

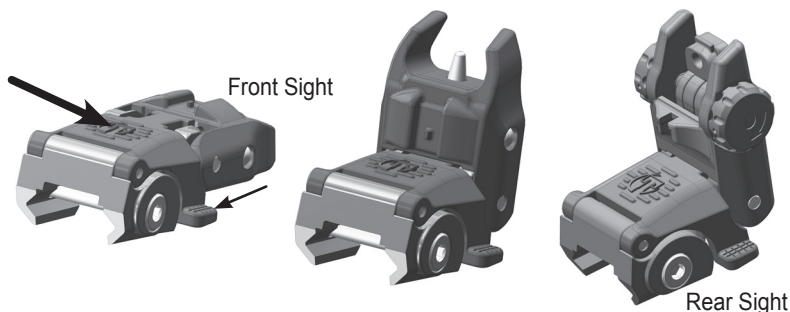
#### 4. Unloading the Magazine

- Eye protection designed for paintball use must be worn by the user and any person within range.
- Remove the Magazine from the TCR marker. When removing the Magazine, two loose paintballs might drop from the grip. Look up inside the grip to inspect the breech chamber for a paintball. Point the marker in a safe direction and pull the trigger (dry fire) to clear the marker of any remaining paintballs. Put the trigger safety in Safe mode (see page 6) and install the barrel blocking device (see page 4).
- If desired, you can reload the loose paintballs into the Magazine.
- To remove all paintballs from the Magazine, press down on the top of the Carrier Release Armature with a flat object, and any remaining paintballs are pushed out the top of the Magazine (Magazine parts are shown on page 14).

**TIP:** For best results and to keep your TCR at peak performance, it is recommended you use a paintball that is not too old or fragile, and is free of dimples or defects. To determine if the paintball is proper for use with the TCR marker, press the tip of your fingernail against the paintball to see if it is easily dimpled. Tippmann discourages leaving paintballs sitting in Magazines for an extended period of time, as this can lead to the paintball becoming out of round. Only load Magazines with paintballs on the day of play.

#### 5. Flip Up Sights

The Front Flip Up Sight and the Rear Flip Up Sight can be in two positions. When flat against the Picatinny Rail, you can press the Tippmann T (large arrow) or press the two tabs located on the sides of the sight (small arrow) to make them flip up for use.

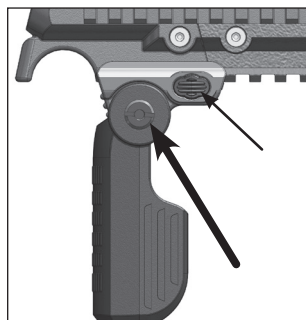


#### 6. Vertical Folding Grip

Depress the button (large arrow) to fold the grip to the desired angle. Depress the button (small arrow) to move the grip to a different position on the Picatinny Rail, or to remove the grip from the Picatinny Rail.

#### 7. Hopper Feed Option

If you wish to use the Hopper Feed option, refer to the instructions in *TCR Disassembly/Assembly* on page 18.



## Velocity Adjustment

Each time you play paintball, check the velocity of your paintball marker with a chronograph (an instrument for measuring velocity) prior to playing paintball. Verify that the marker's velocity is set below 300 feet per second (or less if required by the playing field).

To adjust the velocity, use the 3/16" hex key included with your marker. The Velocity Adjustment Screw is located at the back of the receiver, as shown at right. (Do not use a smaller hex key and mistakenly adjust the Regulator Pressure Relief Valve Set Screw which is accessed through the Velocity Adjustment Set Screw - see note below.) To reduce the velocity, turn the screw counterclockwise. To increase the velocity, turn the screw clockwise.



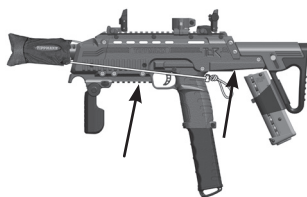
NOTE: This marker has a Regulator Pressure Relief Valve that prevents excessive air/CO<sub>2</sub> pressure that could damage your marker, and is factory set at 350 psi. It will vent excessive gas pressure out the access point. Adjust only as outlined in the *Regulator Pressure Relief Valve Adjustment* instructions on page 19.

## CO<sub>2</sub> Cartridge Removal

### **⚠ WARNING**

**Keep exposed skin away from gas escape points (arrows) when installing or removing a CO<sub>2</sub> cartridge, or if the marker or air supply is leaking. Compressed air, CO<sub>2</sub>, and nitrogen gasses are very cold, and can cause frostbite under certain conditions.**

**Eye protection designed for paintball use must be worn by the user and any person within range.**



Do not store or disassemble a marker with the CO<sub>2</sub> cartridge (punctured or non-punctured) installed. If you are using the optional remote line, do not remove the CO<sub>2</sub> cartridge until you first follow the air/CO<sub>2</sub> cylinder removal instructions in the *Remote Line Adapter* instructions on page 22. Read each step completely before performing the instruction.

### Removing an Unused CO<sub>2</sub> Cartridge (Non-Punctured)

If you installed a new CO<sub>2</sub> cartridge, but have not yet pulled the trigger once to puncture the cartridge, and decide you do not want the cartridge in the marker, do the following:

1. Eye protection designed for paintball use must be worn by the user and any person within range. Always keep the TCR muzzle pointed away from you.
2. Open the Picatinny Rail/CO<sub>2</sub> Access Door as shown on page 8.
3. Tip the muzzle end of the Barrel downward to allow an existing non-punctured CO<sub>2</sub> cartridge to clear the opening.
4. Tilt the marker so the CO<sub>2</sub> Access Door is downward, and raise the muzzle upwards. The existing CO<sub>2</sub> cartridge comes out of the marker.
5. Close the Picatinny Rail/CO<sub>2</sub> Access Door.

## Removing a Used CO2 Cartridge (Punctured)

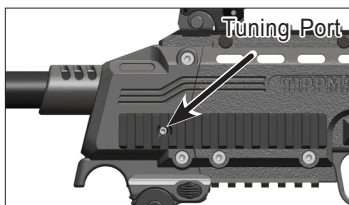
A punctured CO2 cartridge must be emptied before it is removed.

1. Eye protection designed for paintball use must be worn by the user and any person within range. Always keep the TCR muzzle pointed away from you.
2. Point the marker in a safe direction and fire until there is no CO2 left in the cartridge. NOTE: If you have a punctured cartridge in your marker and the marker will not fire, follow the instructions on page 19, *Release Pressure From a Marker That Will Not Fire*.
3. Open the Picatinny Rail/CO2 Access Door as shown on page 8.
4. Tip the muzzle end of the Barrel downward to allow an existing punctured, empty CO2 cartridge to clear the opening.
5. Tilt the marker so the CO2 Access Door is lowered and raise the muzzle upwards. The existing CO2 cartridge comes out of the marker.
6. If desired, install a new CO2 cartridge.
7. Close the Picatinny Rail/CO2 Access Door.

## Adjust TCR for CO2 Cartridges

CO2 cartridge lengths vary from brand to brand. The TCR is easily tuned to puncture a variety of cartridge brands. This adjustment also prevents CO2 cartridge leaks in the puncture valve assembly.

1. If the CO2 cartridge is not punctured or is leaking, turn a 3/32" hex key clockwise in the tuning port to move the CO2 cartridge closer to the puncture pin and increase the cartridge seal.
2. To prevent a CO2 cartridge from being punctured during installation, turn a 3/32" hex key counterclockwise to move the cartridge away from the puncture pin.



## Cleaning & Maintenance

Always wear eye protection (safety glasses) when cleaning or performing maintenance on your TCR marker. To reduce the chance of an accidental discharge, follow *CO2 Cartridge Removal* instructions on page 11 (on page 22 for markers with a Remote Line Adaptor). Never disassemble a marker that is under pressure. Clean and lubricate your marker (where noted in assembly instructions) with Tippmann grease after approximately 5000 shots.

- Familiarize yourself with instructions and follow warnings on CO2 cartridge and/or air/CO2 cylinder packaging for use, handling, storage, and disposal. Contact the air/CO2 cylinder manufacturer with any questions.
- Read and follow *Air/CO2 Cylinder Warnings* and *Safety Tips* on pages 23-24.
- Petroleum based lubricants and aerosol products can damage marker O-rings. Do not use any petroleum based lubricants or cleaning solvents. Do not use any cleaning solvents that come in aerosol cans.
- Clean your marker using a damp towel to wipe off paint, grease, and debris.
- To clean inside the barrel, turn the barrel counterclockwise and remove. Push the cable of the squeegee through the barrel, then pull the squeegee through to remove debris.
- To clean the breech and barrel with the Magazine removed, push the cable of the

squeegee up into the grip and out the barrel, then pull the squeegee through to remove debris.

- Clean the Magazine with a damp towel to wipe off paint, grease, and debris. Dry springs immediately to help prevent rusting.
- To maintain your marker in good working condition, inspect, clean, and replace any damaged parts. Lubricate as instructed in the following *TCR Disassembly/Assembly* section. The best valve O-rings are made of urethane. Urethane O-rings are not affected by high air/CO2 pressures. These may be purchased from Tippmann or your local paintball dealer. Use certified Tippmann oil to lightly lubricate the O-rings and springs, to maintain your marker in good working condition.

## Magazine Disassembly, Reassembly, and Testing

Read these instructions completely before attempting Magazine disassembly or reassembly. These instructions show the 7 ball magazine, but also apply to the 12 ball magazine. Some of the 12 ball magazine parts are just longer than those for the 7 ball magazine. Refer to the exploded view on page 14 for these instructions.

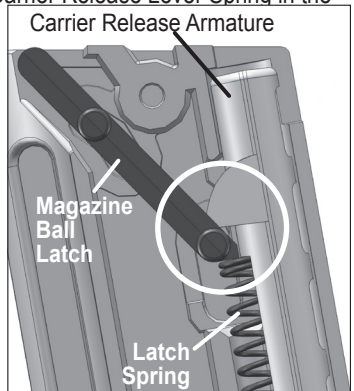
### Magazine Disassembly

1. Set the Magazine on a workbench with the Left Shell side (7 ball) facing up or the Right Shell side (12 ball) facing up.
2. Remove four (7 ball) or six (12 ball) #4 x 5/8 Screws.
3. Gently disengage the top latch (arrow in illustration on page 14), then separate both halves of the Magazine.
4. Remove and clean the internal parts as necessary.

NOTE: If you clean the (7 ball) Ball Carrier Spring with water, prevent rusting by thoroughly drying it and applying a light coating of Tippmann oil before reassembly.

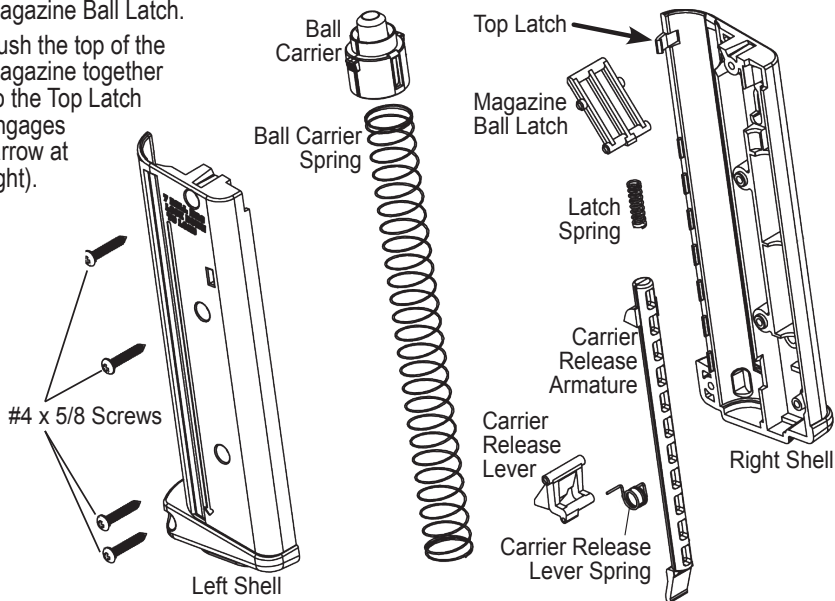
### Magazine Reassembly

1. Place the Carrier Release Lever Spring into the Right Shell.
2. Properly orient the Carrier Release Lever onto the Carrier Release Lever Spring in the Right Shell.
3. Place the Magazine Ball Latch and Carrier Release Armature into the Right Shell.
4. Set the Latch Spring between the Magazine Ball Latch and the Carrier Release Armature. The Latch Spring sets in a pocket formed by the two parts inside the Right Shell.
5. Confirm that the Magazine Ball Latch and Carrier Release Armature are oriented as shown in the circled area at right. The flat surfaces of the Magazine Ball Latch and the Carrier Release Armature fit together, and must align correctly for the Magazine to operate properly.
6. Place the Ball Carrier Spring into the Right Shell.
7. Install the Left Shell onto the Right Shell, but do not fully press the two pieces together. Be sure the internal parts stay in their locations while putting the two shell halves together. The top latch (see arrow on next page) of the Right Shell does not engage at this time.



8. Install the bottom #4 x 5/8 Screw. Tighten it until snug.
9. Place the Ball Carrier onto the Ball Carrier Spring (aligning the two tabs on the Ball Carrier with the slots in the Left Shell and Right Shell) and slide down into the top of the assembled shell halves. Push down on the Ball Carrier until it snaps into place inside the Magazine. Note that the 12 ball Ball Carrier has a flat side that goes against the Magazine Ball Latch.

10. Push the top of the Magazine together so the Top Latch engages (arrow at right).



11. Install the remaining #4 x 5/8 Screws. Tighten them until they are snug.

### Magazine Testing

1. Push down the Ball Carrier. Make sure the Ball Carrier moves freely.
  2. While holding down the Ball Carrier, push down on the Carrier Release Armature and ensure that the Magazine Ball Latch moves freely.
  3. Push down the Ball Carrier all the way to the bottom of the Magazine until it locks into place.
  4. Place a finger inside the top of the Magazine, then press down on the Carrier Release Armature to release the Ball Carrier. Releasing the Ball Carrier without a finger to stop it may result in the Ball Carrier assembly breaking.
- Magazine testing is complete.

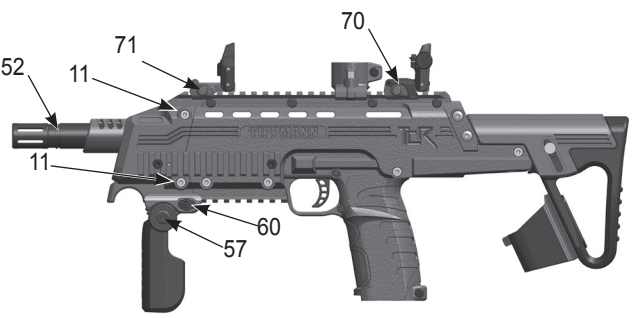
### TCR Disassembly/Assembly

Set up a table with plenty of space to work to make sure no small parts become lost. Eye protection must be worn during disassembly and reassembly. Do not disassemble a pressurized paintball marker. Do not pressurize a partially assembled paintball marker. Unload the TCR using the instructions (step 4) on page 10. Follow *CO2 Cartridge Removal* instructions on page 11 or *Remote Line Removal* instructions on page 22.

1. Remove the Barrel (52) by turning it counterclockwise, and pull it out.
2. Remove the Front Sight and Rear Sight by removing the Screw holding them to the Picatinny Rail. If applicable, remove the Feed Neck by loosening the screw holding it to the Picatinny Rail.
3. Refer to the graphic at the top of the next page. Remove the Folding Front Grip by pushing in on the button (60) and sliding it off from the Picatinny Rail. Pushing in on

button (57) allows you to change the angle of the Folding Front Grip.

4. Use a 1/8" hex key to remove two screws (11). Remove the Front Receiver by sliding it forward.
5. Open the CO2 compartment door.

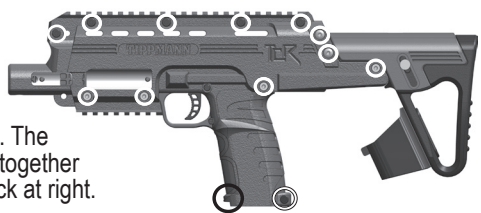


Using the long end of a hex key, push the Pivot Pin out. Now the CO2 door can be removed from the marker.

- a. If you want the CO2 door on the other side of the marker, remove the Picatinny Rail on the right marker side (two screws).
- b. Rotate the CO2 Inner Housing by 180°.
- c. Install the Picatinny Rail to the left marker side.
- d. Install the CO2 door to the right marker side. Reinsert the Pivot Pin to hold the door in place.

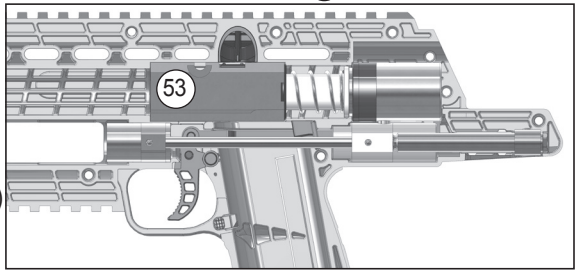


6. Remove the left receiver side by unscrewing the 12 screws (circled in white at right) from the left marker side. The left and right Receiver halves are held together by a catch at the location circled in black at right.



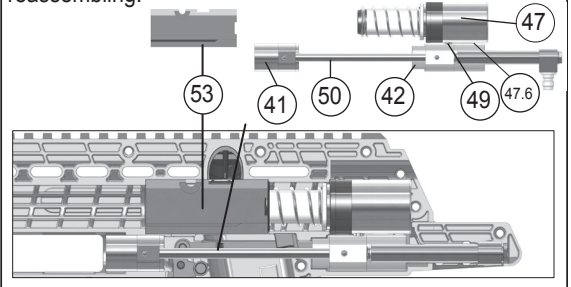
Carefully lift and disconnect the Left Receiver half to access the internal parts.

7. Lift out the Barrel Adapter (53). Lift out (as one piece) the Long Gas Line (50), Puncture Valve (41), Regulator (42), Air Valve (47) (includes the Firing Valve (item 47.6 in the parts list), and Short Gas Line (49) assembly.



To separate this sub-assembly, pull the Long Gas Line out of the two integrated air fittings. (At reassembly, lubricate the Long Gas Line O-rings.) Pull the Regulator from the Air Valve and pull out the Short Gas Line (lubricate O-rings at reassembly). Remove the Firing Valve (47.6) from Air Valve (see *Firing Valve Disassembly* on the next page).

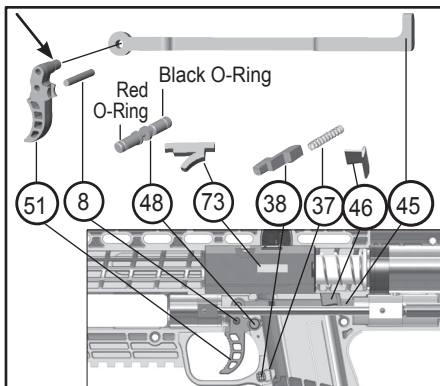
NOTE: Carefully hand start all threaded parts. Do not overtighten, you might strip threaded parts when reassembling.



8. Lift out the Magazine Release (38) Spring (37), Safety (48) (at reassembly, the black

O-ring end goes into right receiver half); Trigger (51), Trigger Pin (8), Ball Latches (73), and the Actuator Link (45).

9. Clean and inspect parts. Replace any damaged parts. Use Tippmann grease to lightly lubricate the Safety O-rings, Spring (37), Trigger hinge (arrow at right), and Trigger Pin (8) to maintain your marker in good working condition.
10. To reassemble, follow these instructions in reverse and be sure the Firing Valve's Actuator Pin (47.6.3, below right) is pushed in all the way to the Firing Valve Body as shown.

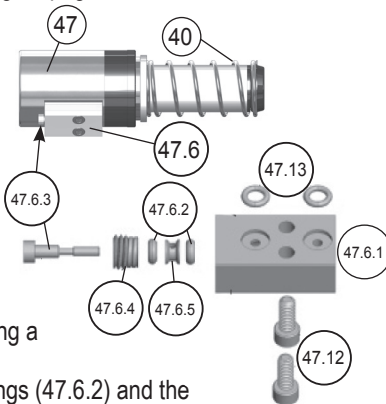


NOTE: Carefully hand start all threaded parts. Do not overtighten and strip threaded parts when reassembling.

NOTE: Failure to reassemble correctly can cause damage to parts, air/CO2 leaks, and other problems. As you reassemble your marker, double check to be sure parts are clean, not damaged, lubricated, and installed/aligned correctly.

### Firing Valve Disassembly/Assembly

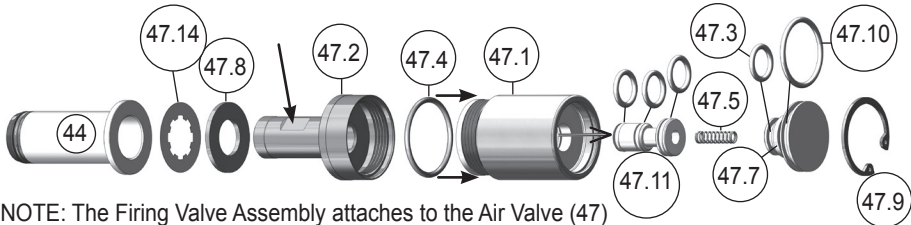
1. Follow *TCR Disassembly/Assembly* beginning on page 14.
2. Remove the Firing Valve from the Air Valve Assembly (47), by removing two Socket Head Cap Screws (47.12) with a 3/32" hex key.
3. The two O-rings (47.13) are not attached. NOTE: Be sure these two O-rings are in place when reassembling the Firing Valve to the Air Valve Assembly.
4. Pull the Actuator Pin (47.6.3) out. NOTE: When reassembling be sure this Actuator Pin is pushed in all the way to the Firing Valve body as shown.
5. Remove the Firing Valve Pin Guide (47.6.4) using a 3/32" hex key.
6. Tap on the Firing Valve Body (47.6.1). Two O-rings (47.6.2) and the Valve Bushing (47.6.5) should fall out (if you need to pull the parts out, use a plastic tool so you do not damage the parts).
7. Clean and inspect parts. Replace any damaged parts. Use Tippmann grease to lightly lubricate the O-rings (47.6.2) and Spring (40) to maintain your marker in good working condition.
8. To reassemble and reattach the Firing Valve to the Air Valve, follow these instructions in reverse. NOTE: Carefully hand start all threaded parts and do not overtighten and strip threaded parts when reassembling. NOTE: Failure to reassemble correctly can cause damage to parts, air/CO2 leaks, and other problems. As you reassemble your marker, double check to be sure parts are clean, not damaged, lubricated, and installed correctly.



### Air Valve Disassembly/Assembly

1. Follow *TCR Disassembly/Assembly* beginning on page 14.
2. Refer to the following diagram. Slide the Front Bolt (44), Bolt Bumper Cover (47.14), and Bumper Disk (47.8) off the Power Tube (47.2).



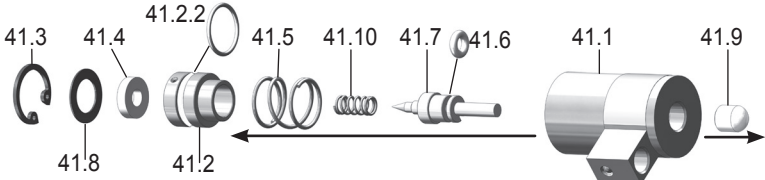


NOTE: The Firing Valve Assembly attaches to the Air Valve (47) (see *Firing Valve Disassembly/Assembly* on the previous page).

3. Remove Power Tube from the Air Valve Body (47.1) by unscrewing the Power Tube with a 1/2" wrench on the "wrench flats" (see arrow on 47.2 in the next graphic).
4. To access the Air Valve Body internal parts, remove the Snap Ring (47.9) with a snap ring tool. NOTE: The snap ring tool tips should fit snugly into the snap ring. Using a snap ring tool with tips too small may cause the snap ring to fly off the tool and cause injury and/or damaged parts. To remove the internal parts from the Air Valve body (47.1), carefully push them out with a plastic tool in the direction shown.
5. Clean and inspect parts. Replace any damaged parts. NOTE: O-rings are shown removed. It is not necessary to remove O-rings as shown to inspect, clean, and lubricate. Use Tippmann grease to lightly lubricate the O-rings and springs to maintain your marker in good working condition. Be sure to grease the Front Bolt (44) and the Power Tube (47.2).
6. To reassemble, follow these instructions in reverse. NOTE: Carefully hand start all threaded parts and do not overtighten and strip threaded parts when reassembling. NOTE: Failure to reassemble correctly can cause damage to parts, air/CO2 leaks, and other problems. As you reassemble your marker, double check to be sure parts are clean, not damaged, lubricated, and installed correctly.

**Puncture Valve Disassembly/Assembly**

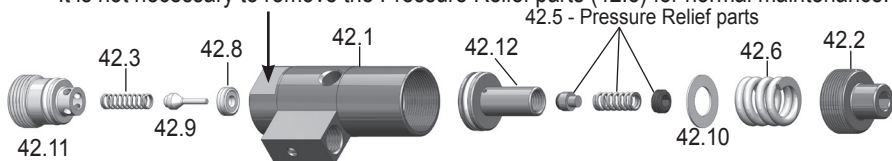
1. Follow *TCR Disassembly/Assembly* beginning on page 14. Do not overtighten and strip threads when reassembling.
2. To access the Puncture Valve internal parts, remove the Snap Ring (41.3) with a snap ring tool. NOTE: The snap ring tool tips should fit snugly into the snap ring - using a snap ring tool with tips too small may cause the snap ring to fly off the tool and cause injury and/or damage parts. To remove the internal parts from the Puncture Valve Body (41.1), remove the Puncture Pin Cap (41.9) and carefully push Puncture Pin (41.7) and internal parts out as shown at the arrow below.



3. Clean and inspect parts. Replace any damaged parts. NOTE: O-rings are shown removed; It is not necessary to remove O-rings as shown to inspect, clean, and lubricate. Use Tippmann grease to lightly lubricate the O-rings and Springs to maintain your marker in good working condition.
4. To reassemble, follow these instructions in reverse. NOTE: Carefully hand start all threaded parts and do not overtighten and strip threaded parts when reassembling. NOTE: Failure to reassemble correctly can cause damage to parts, air/CO2 leaks, and other problems. As you reassemble your marker, double check to be sure parts are clean, not damaged, lubricated, and installed correctly.

## Regulator Disassembly/Assembly

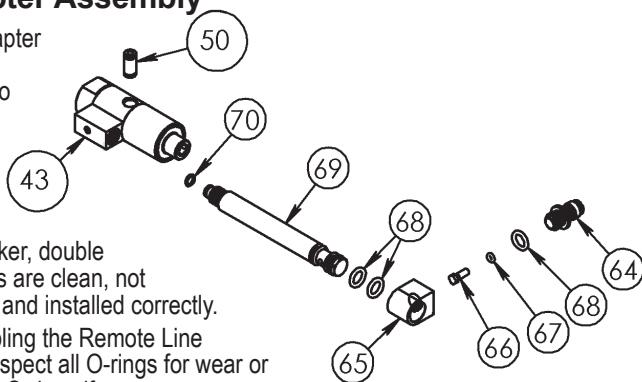
1. Follow *TCR Disassembly/Assembly* beginning on page 14.
2. Remove the Regulator End Cap (42.11) from the Regulator Body (42.1) by holding the Regulator Body on the “wrench flats” (arrow) with a 5/8” wrench, and remove the End Cap by turning to the left with a 3/16” hex key. Internal parts will slide out.
3. To remove the Regulator Adjustment Cap (42.2), unscrew it with a 3/16” hex key until it and the Spring (42.6) come out. Use your fingers to pull the Regulator Piston (42.12) out. It is not necessary to remove the Pressure Relief parts (42.5) for normal maintenance.



4. Clean and inspect parts. Replace any damaged parts. NOTE: It is not necessary to remove O-rings to inspect, clean, and lubricate them. Use Tippmann grease to lightly lubricate O-rings and springs to maintain your marker in good working condition.
5. Reassemble the Regulator following these instructions in reverse. NOTE: Failure to reassemble correctly can cause damage to parts, air/CO2 leaks, and other problems. As you reassemble your marker, double check to be sure parts are clean, not damaged, lubricated, and installed correctly.
6. Upon marker reassembly, you will need to adjust the Regulator Pressure Relief Valve if you removed the Pressure Relief parts from item #42.12 (see *Regulator Pressure Relief Valve Adjustment* on page 19).

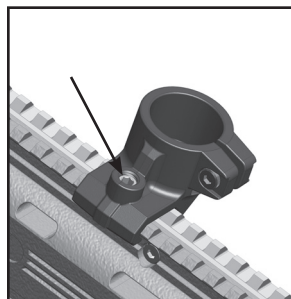
## Remote Line Adapter Assembly

1. The Remote Line Adapter assembly is shown at right. NOTE: Failure to reassemble correctly can cause damage to parts, air/CO2 leaks, and other problems. As you reassemble your marker, double check to be sure parts are clean, not damaged, lubricated, and installed correctly.
2. Whenever disassembling the Remote Line Adapter, be sure to inspect all O-rings for wear or damage. Replace the O-rings if necessary.



## Hopper Feed Installation

1. Disassemble the marker as described in *TCR Disassembly/Assembly* steps 1 through 6. Separate the receiver halves and remove the Hopper Feed Plug (5) from the right Receiver half.
2. Flip over the Barrel Adapter (53) so that the part that receives the Magazine is now facing upwards.
3. Reassemble the marker. Slide the Hopper Feed onto the top Picatinny Rail aligning with the hole from the Hopper Feed Plug. Use the screw to hold in place as shown (arrow). Reinstall the Front Receiver. Reinstall the Front and Rear Sights.



## Release Pressure From a Marker That Will Not Fire

### **⚠ WARNING**

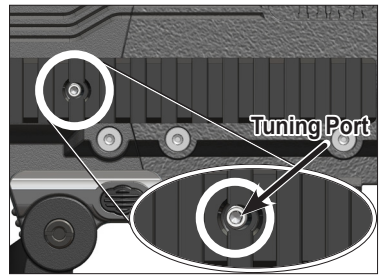
Keep exposed skin away from gas escape points (arrows) when installing or removing a CO2 cartridge, or if the marker or air supply is leaking. Compressed air, CO2, and nitrogen gasses are very cold, and can cause frostbite under certain conditions.



Eye protection designed for paintball use must be worn by the user and any person within range.

Only use this procedure if marker will not fire and the CO2 cartridge has been punctured. Put the trigger safety in Safe mode (see page 6) and install the barrel blocking device (see page 4). Remove the Magazine as outlined in *CO2 Cartridge Removal* (see page 11).

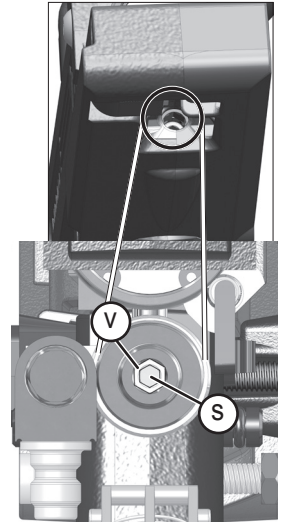
Back out the CO2 cartridge adjustment screw in the Tuning Port to empty CO2 from the cartridge. Keep exposed skin away from escaping gas as it rushes out at the CO2 release points (arrows in previous warning). Remove and dispose of the CO2 cartridge. You will need to readjust the puncture setting for the next CO2 cartridge (see page 12 for instructions).



## Regulator Pressure Relief Valve Adjustment

The regulator pressure relief valve is located near the Remote Line Adapter and is factory set to 350 psi. Do not reset it higher than 350 psi because that could cause damage to marker parts or cause personal injury. If you disassemble the Regulator (page 16-17) and remove the indicated parts from item #42.12, you will need to reset the Regulator Pressure Relief Valve before using your marker.

1. Adjust the velocity as outlined in *Velocity Adjustment* on page 11 until your marker chronographs below 300 fps.
2. Put the trigger safety in Safe mode (see page 6) and install the barrel blocking device (see page 4). Remove the Magazine as outlined in *Magazine Removal, Loading, and Unloading* (see page 10).
3. Insert a 1/8" hex key through the Velocity Adjuster Set Screw (V) and into the Regulator Relief Set Screw (S) and turn it slowly counterclockwise only until air/CO2 begins to escape through the Relief Valve. Then turn the set screw slowly back clockwise only until air/CO2 stops escaping, setting the relief pressure. NOTE: Do not turn any further clockwise which would set it higher than 350 psi. This could cause damage to marker parts or cause personal injury.



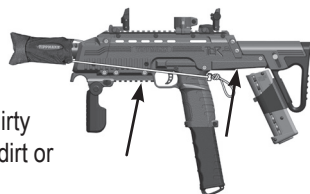
## Troubleshooting

**PROBLEM:** You have successfully loaded and punctured a new cartridge, put the trigger safety in Fire mode. Your marker will not fire and you can't get the CO2 cartridge out of the marker.

**SOLUTION:** Put the trigger safety in Safe mode (see page 6) and install the barrel blocking device (see page 4). Remove the Magazine as outlined in *Magazine Removal* (see page 10). Follow the instructions *Release Pressure From a Marker That Will Not Fire* on page 19.

**PROBLEM:** Air/CO2 is leaking out of the gas vent hole(s) (see arrows).

**SOLUTION:** The most common air/CO2 leak is caused by a dirty or damaged puncture seal. Check the Puncture Seal (36) for dirt or damage (see *Puncture Valve Disassembly* on page 17).



**PROBLEM:** Magazine will not feed paintballs correctly.

**SOLUTION:** Try using fresh paintballs.

**SOLUTION:** Clean the Magazine with a damp towel to wipe off paint, grease, and debris. Dry springs immediately, if necessary, to help prevent rusting.

**SOLUTION:** Ensure breech is clear and that ball latches are installed correctly.

**PROBLEM:** You pull the trigger, and the marker does not pressurize.

**SOLUTION:** Adjust the CO2 cartridge screw in the Tuning Port (see instructions on page 12).

**PROBLEM:** Air/CO2 is leaking from the air/CO2 cylinder connection to the remote coil tank adapter.

**SOLUTION:** The most common leak occurs from a bad air/CO2 cylinder valve O-ring (see *Repairing Air/CO2 Cylinder Leaks* on page 24).

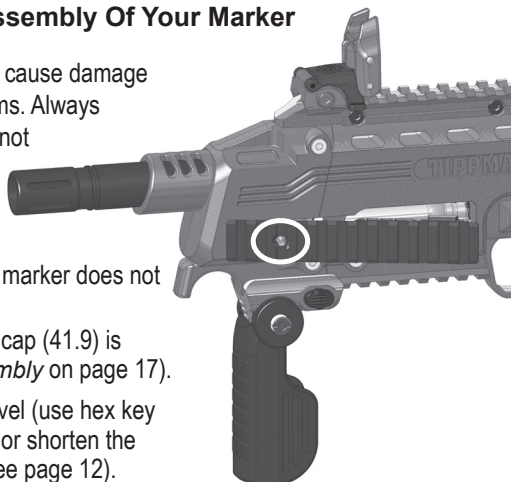
### Problems After Disassembly/Assembly Of Your Marker

Failure to reassemble parts correctly can cause damage to parts, air/CO2 leaks, and other problems. Always double check to be sure parts are clean, not damaged, lubricated, and installed correctly when you disassemble and reassemble your marker.

**PROBLEM:** You pull the trigger and the marker does not pressurize.

**SOLUTION:** Check that the puncture pin cap (41.9) is installed (see *Puncture Valve Disassembly* on page 17).

**SOLUTION:** Adjust the CO2 cartridge travel (use hex key in circled Tuning Port at right to lengthen or shorten the amount of travel for the CO2 cartridge, see page 12).



**PROBLEM:** You install a cartridge and you hear CO2 leaking.

**SOLUTION:** Check to be sure the O-rings of the long gas line and the short gas line are not damaged (see *TCR Disassembly/Assembly* on page 14).

**PROBLEM:** The Regulator (page 18) vents CO2 continuously.

**SOLUTION:** Adjust the Pressure Relief Valve (see page 19).

**SOLUTION:** Check the Regulator Pin for dirt, damage, or if it is not inserted into the Regulator Piston properly. Clean, inspect, and replace if damaged.

**NOTE:** When assembling, **be sure** the Regulator Pin seats into the Regulator Piston (see *Regulator Disassembly* on page 18).

**PROBLEM:** You pull the trigger back and it binds and will not release.

**SOLUTION:** Check the Actuator Pin for misalignment. Disassemble the Firing Valve and make sure the Actuator Pin is pushed in flush with the Firing Valve Body during assembly (see *Firing Valve Disassembly* on page 16).

**PROBLEM:** There is air/CO2 leaking out of the barrel.

**SOLUTION:** Check the Front Valve Spool O-ring for dirt or damage (see *Air Valve Disassembly* on page 16).

**PROBLEM:** When the trigger is pulled slowly, a short leaking sound is normal. The leak continues without the gun firing.

**SOLUTION:** Check the Valve Spool rear O-ring and the Air Valve End Cap O-ring for dirt or damage (see *Air Valve Disassembly* diagram on page 16).

**PROBLEM:** The trigger will not move at all when trying to fire.

**SOLUTION:** Check the trigger safety to be sure it is not installed backwards. The red O-ring should be on the left side of the marker (PUSH SAFE is embossed on this side), and the black O-ring on the right side of the marker (PUSH FIRE is embossed on this side) (see *TCR Disassembly* on page 14).

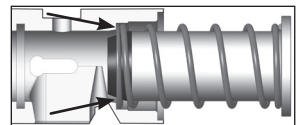
**PROBLEM:** You fire the marker but no paintballs are fired.

**SOLUTION:** If the Front Bolt sticks in the forward position, paintballs will not load. Check the Ball Latches to be sure one or both are not installed backwards (see *TCR Disassembly* on page 14).

**SOLUTION:** If the Front Bolt is installed correctly and does not return completely, paintballs will not load. Check the Barrel Adapter and the Air Valve Assembly for dirt or damage (see *TCR Disassembly* on page 14). Clean and lubricate the Front Bolt and Air Valve.

**PROBLEM:** You pull the Trigger but the marker does not fire.

**SOLUTION:** Check the Barrel Adapter and the Front Bolt Spring for misalignment (see *TCR Disassembly* on page 14).



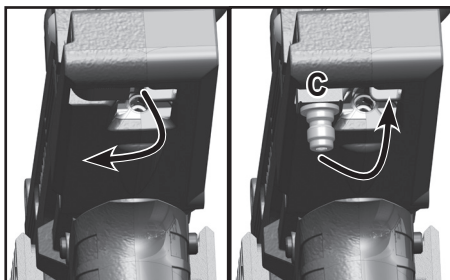
The Barrel Adapter is shown here cut in half showing the spring properly seated. Misalignment of the spring will cause the marker to not fire.

**NOTE:** If a problem still exists, contact Tippmann's Service Department at 1-800-533-4831 or see your local paintball dealer.

## Using a Remote Line with TCR

(alternative air/CO2 delivery method)

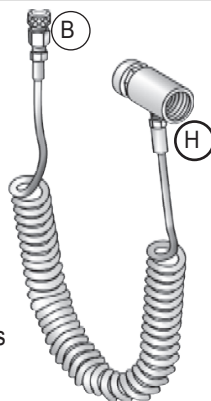
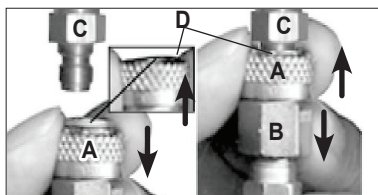
The Remote Line Adapter (C) on the TCR is at the rear of the Receiver. Rotate the adapter down to use a Remote Line, or rotate it up into the Receiver when not using a Remote Line. To use a Remote Line with the TCR, you need to leave an empty CO2 cartridge in the TCR, see page 8 for CO2 cartridge installation instructions.



NOTE: The following instructions are for installation, turning on, and turning off the air/CO2 cylinder of the Tippmann H-01 Remote Line. If your remote line is not this Tippmann model, follow the instructions provided with your remote line for installation, turning on, and turning off the remote air/CO2 cylinder.

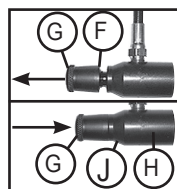
### Connecting, Disconnecting, and Removing a Remote Line CO2 Cylinder

1. Eye protection designed for paintball use must be worn by the user and any person within range. Put trigger safety in Safe mode (see page 6). Install the barrel blocking device (see page 4). Remove and unload the Magazine (go to page 9 and follow *Magazine Removal, Loading, and Unloading* instructions).
2. Pull and hold the Remote Line fitting locking ring (A) back to connect or remove the Remote Line fitting (B). **Never** pull back on the locking ring (A) when the Remote Line is pressurized.
3. To connect (with no cylinder attached to the Remote Line), hold down the Locking Ring (A), push the remote line fitting (B) onto the Remote Line Adapter (C), and then release the locking ring to the lock position (D). Pull down on the Remote Line fitting (B) to be sure it is secured properly.
4. Make sure the Remote Line is turned off. Turn off the Remote Line air/CO2 flow control valve (F) by turning the flow control knob (G) counterclockwise outward until it stops (see the top G in the illustration at lower right).



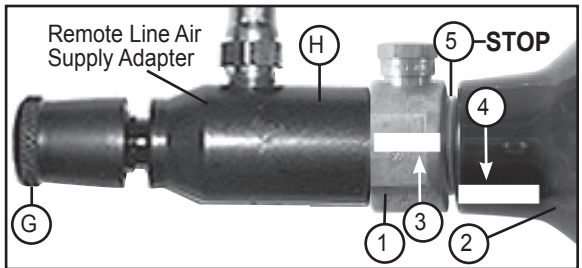
5. Install the air/CO2 cylinder to the Remote Line ASA (H). First mark the cylinder and cylinder valve if necessary (see *Air/CO2 Cylinder Warnings* and *Safety Tips* on pages 23-24). Lubricate the cylinder valve O-ring with Tippmann® Certified grease, then insert the cylinder valve end into the ASA of the Remote Line (H). Twist the cylinder clockwise into the ASA until it stops. Your TCR is ready to fire after you:
  - turn on the flow control (G) clockwise until it stops (J),
  - remove the barrel blocking device, and
  - move the Safety to Fire mode.

To turn off the air/CO2 supply, turn the flow control (G) completely counterclockwise until it stops (F). The air line is still under pressure. Point the TCR in a safe direction and discharge any remaining gas by pulling the trigger until the TCR stops firing.



6. Air/CO2 Cylinder Removal from Remote Line ASA — You must first read the *Air/CO2 Cylinder Warnings* and *Safety Tips* on pages 23-24 before beginning the cylinder removal process in step 9. Unload the TCR magazine (page 10).

7. Refer to the illustration at right. Whenever you turn the air/CO2 cylinder (2) during removal, watch the mark (4) on the cylinder and the mark (3) on the cylinder valve to be sure that they rotate together. If you see the marks begin to separate (5), STOP! and take your TCR and cylinder to a qualified professional, such as a "C5" certified airsmith.



8. Put the trigger safety in Safe mode (see page 6) and install the barrel blocking device (see page 4).
9. Turn the air/CO2 cylinder counterclockwise to remove it from the Remote Line ASA.

### Air/CO2 Cylinder Warnings

**⚠ WARNING**

**The brass or nickel plated cylinder valve (#1) is intended to be permanently attached to the air or CO2 cylinder (2). An air or CO2 cylinder can fly off with enough force to cause serious injury or death if the cylinder (2) unscrews from a cylinder valve (1).**

Refer to the figure at right. There have been reported incidents caused by players unknowingly unscrewing the cylinder (2) from the cylinder valve (1). This occurs when the player thinks the entire valve-cylinder assembly is being unscrewed from the air/CO2 adaptor of the paintball marker, when in fact he or she is unscrewing the cylinder from the cylinder valve.

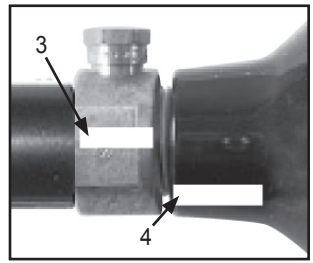
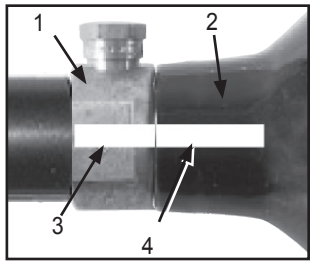
To avoid this danger, it is recommended (if your cylinder is not already marked) that you use paint or nail polish to place a mark (3) on the cylinder valve, and place another mark (4) on the cylinder, in line with the #3 mark as shown.

Whenever you turn the cylinder during removal, watch the marks on the cylinder and the cylinder valve to be sure that they rotate together. If at any time these marks start to separate as shown in the figure at right, the cylinder is starting to unscrew from the cylinder valve and you must **STOP** and take the entire unit to a "C5" certified airsmith for safe removal and/or repair.

**NOTE:** The cylinder valve should unscrew from the paintball marker in about 3 or 4 full turns. If you finish the 4<sup>th</sup> full turn and the cylinder valve is not unscrewed from the paintball marker, **STOP!** Take the entire unit to a "C5" certified airsmith for safe removal and/or repair. Locate a "C5" Certified Airsmith at [www.paintball-pti.com](http://www.paintball-pti.com). Whether you have a new or used refillable air/CO2 cylinder, you are at risk if any of the following has occurred:

- The valve unit was replaced or altered after purchase.
- An anti-siphon device was installed.
- The valve unit was removed from the cylinder for any reason.
- Any modification was done to the refillable air/CO2 cylinder.

If any of these conditions has occurred, take your air/CO2 cylinder to a "C5" Certified Airsmith for inspection or contact the cylinder manufacturer.



## Air/CO2 Cylinder Safety Tips

SAFETY TIPS to ensure that your air/CO2 cylinder is safe for play:

- Improper use, filling, storage, or disposal of air/CO2 cylinder may result in property damage, serious personal injury or death.
- Make sure that any maintenance or modification to any air/CO2 cylinder is done by a qualified professional, such as a “C5” certified airsmith.
- Installing an anti-siphon device is dangerous. However, if one is already installed on your air or CO2 cylinder or is desired, it is critical that your cylinder be checked by, or the device installed by, a qualified professional.
- All air/CO2 cylinders must be filled only by properly trained personnel.
- Cylinder valves must be installed only by properly trained personnel.
- Do not overfill a cylinder! Never exceed the air/CO2 cylinder’s capacity.
- Do not expose pressurized air/CO2 cylinder to temperatures exceeding 130 degrees Fahrenheit (55 degrees Celsius).
- Do not use caustic cleaners or strippers on the air/CO2 cylinder or cylinder valve and do not expose to corrosive materials.
- Do not modify the air/CO2 cylinder in any way. Never try to disassemble the cylinder valve from the air/CO2 cylinder.
- Any air/CO2 cylinder that has been exposed to fire or heated to a temperature of 250 degrees Fahrenheit (121 degrees Celsius) or more must be destroyed by properly trained personnel.
- Use appropriate gas for your cylinder. Only use CO2 in a CO2 cylinder and only use compressed air in a compressed air cylinder.
- Keep all cylinders out of the reach of children.
- The Air or CO2 cylinder should be inspected and hydrostatically retested at least every 5 years by a DOT licensed agency.
- Keep exposed skin away from escaping gas when installing or removing air/CO2, or if the marker or air/CO2 is leaking. Compressed air and CO2 gasses are very cold, and can cause frostbite under certain conditions.

**NOTE:** Locate a “C5” certified airsmith at [www.paintball-pti.com](http://www.paintball-pti.com).

## Repairing Air/CO2 Cylinder Leaks

The most common leak occurs from a bad air/CO2 cylinder valve O-ring. To replace a valve O-ring you must first remove the bad O-ring and then install a new one. This O-ring is located on the tip of your air/CO2 valve. The best valve O-rings are made of urethane. Urethane O-rings are not affected by high air/CO2 pressures. These may be purchased from Tippmann or your local paintball dealer.

NOTE: If a new air/CO2 valve O-ring does not resolve an air/CO2 leak, do not attempt to repair the air/CO2 cylinder. Contact Tippmann Sports, LLC, your local paintball dealer, or a “C5” Certified Airsmith.



## Storage

Before storage, follow the *Magazine Removal, Loading, and Unloading* instructions on page 10 and *CO2 Cartridge Removal* instructions on page 11 (on page 22 for markers with a Remote Line Adapter installed). Do not store a marker with any of the following installed:

- 12 gram air/CO2 supply cartridge (punctured or non-punctured)
- An air/CO2 cylinder
- Magazine

Store the Magazine empty, with the Ball Carrier in its topmost position.

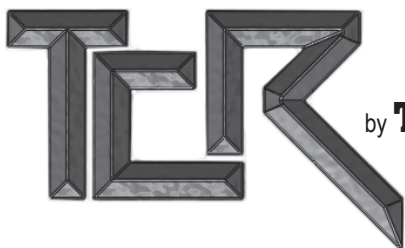
Put the trigger safety in Safe mode (see page 6) and install the barrel blocking device (see page 4). You should store your marker in a dry area. Before storing your marker, make sure that the marker is cleaned and lubricated (see *Cleaning & Maintenance* on page 12) so that it does not rust.

When removing your marker out of storage, make sure that the trigger safety is in Safe mode (see page 6) and the barrel blocking device is installed (see page 4).

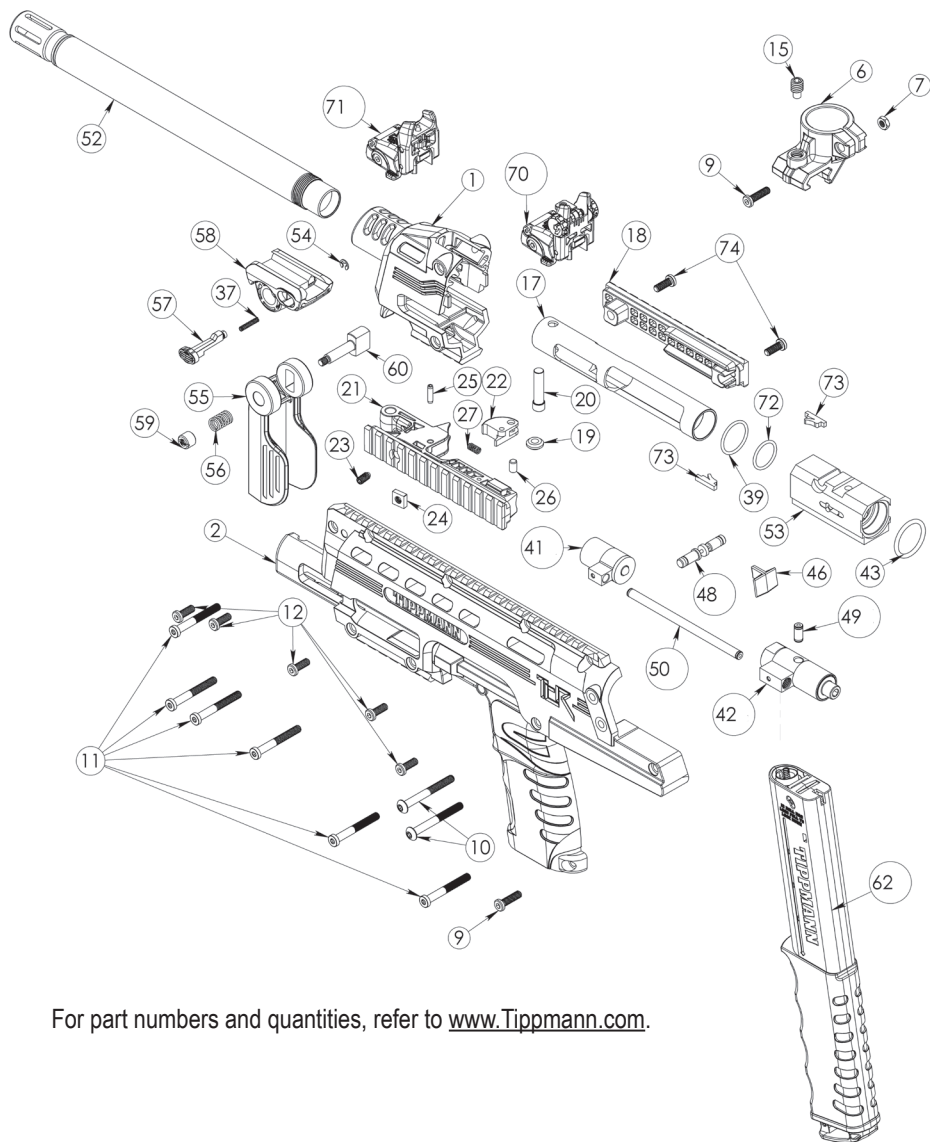
## Specifications

Model.....	TIPPMANN® TCR®
Caliber .....	.68
Action.....	Semi-Automatic (Open Bolt Blow Forward)
Power/Propellant .....	compressed air, nitrogen, or CO2
Cartridge .....	12 gram CO2
Shots per 12 gram CO2 cartridge.....	approximately 24
Paintball Feed .....	TCR® Magazine (spring feed)
Magazine Capacity (long).....	12 Paintballs
Magazine Capacity (short).....	7 Paintballs
Cycle Rate .....	1 trigger pull = 1 shot
Standard Barrel Length .....	11" / 28 cm
Overall Length (with standard barrel and stock collapsed).....	21" / 53 cm
Overall Length (with standard barrel and stock fully extended).....	24" / 61 cm
Weight (without 12 gram CO2 cartridge or paintballs).....	4.5 lbs. / 2 kg
Effective Range .....	150+ ft. / 46+ m
Velocity .....	Adjustable

Always measure your marker's velocity before playing paintball and never shoot at velocities in excess of 300 feet/91.44 meters per second (see *Velocity Adjustment* instructions on page 11).



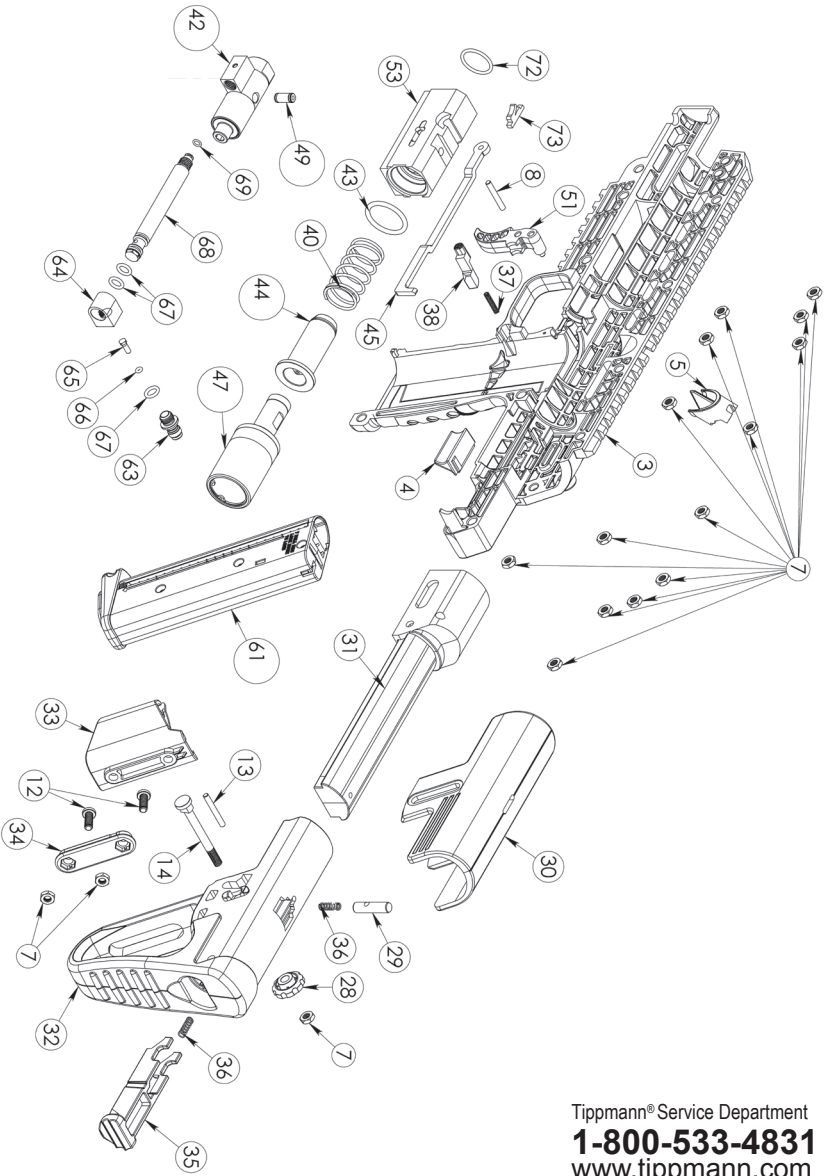
by **TIPMANN®**  
Parts Diagram



For part numbers and quantities, refer to [www.Tippmann.com](http://www.Tippmann.com).

**⚠ WARNING**

**Do not disassemble this marker while it is pressurized.  
Do not pressurize a partially assembled marker.**



For part numbers and quantities, refer to [www.tippmann.com](http://www.tippmann.com).

Tippmann® Service Department  
**1-800-533-4831**  
[www.tippmann.com](http://www.tippmann.com)

<b>TCR Marker Parts List</b>	
<b>ITEM NO.</b>	<b>DESCRIPTION</b>
1	Receiver, Front
2	Receiver, Left
3	Receiver, Right
4	Receiver Reg Adjuster Insert
5	Plug, Hopper Feed
6	Feedneck, Rail Clamping
7	Hex Nut #10-32 X 5/16
8	Trigger Pivot Pin
9	Screw, LSHCS 10-32 X 0.675"
10	10-32 X 1.75, Button Head Screw
11	10-32 X 1.5 LSHCS
12	Low Head Socket Cap Screw #10-32 X 0.500"
13	Dowel Pin
14	10-32 X 1.8, Flat Head Platform
15	5/16 - 18 Dog Point Set Screw
17	Housing, CO2 Cam
18	Pic Rail, CO2 Non Exit
19	Roller, CO2 Cam
20	Shoulder Pin 1" X .250
21	Pic Rail, CO2 Exit
22	Cam Roller Support
23	10-32 UNF 1/2 Dog Point Set Screw
24	#10-32 Square Nut
25	Spring Pin .125 Dia X .5 Long
26	Dowel Pin .1875 Dia X .3125
27	Spring, Comp., 0.385" F.L. X 0.175" O.D.
28	Nut, Plastic Thumb
29	Pin Collapsible Stock Detent
30	Cheek Rest, Adjustable
31	Stock Tube
32	Sliding Stock
33	Mag Holder, Stock
34	Anchor, Mag Clip
35	Release Button, Sliding Stock
36	Comp. Spring, 0.600"FI X 0.172"O.D.
37	Spring, Comp., 0.625"FI X 0.119"Od
38	Magazine Release
39	O-Ring
40	Spring, Comp., 2.70" F.L. X 0.834" O.D.

<b>TCR Marker Parts List</b>	
<b>ITEM NO.</b>	<b>DESCRIPTION</b>
41	Integrated Puncture Valve Assembly
41.1	Integrated Puncture Valve Body
41.2	Puncture Valve Piston Complete
41.2.2	O-Ring
41.3	1/2" Internal Retaining Ring
41.4	12 Gram Puncture Seal
41.5	Spring, Comp., 0.500" F.L. X 0.469" O.D.
41.6	O-Ring
41.7	Puncture Pin
41.8	Seal Retainer
41.9	Puncture Pin Cap
41.10	Spring, Comp., 0.385" F.L. X 0.175" O.D.
41.11	Plug, 7/64 Ball Bearing
42	Integrated Regulator Assembly
42.1	Integrated Regulator Body
42.2	Regulator Adjustment Cap
42.3	Spring, Comp., 0.600" F.L. X 0.161" O.D.
42.4	Spring, Comp., 0.500" F.L. X 0.198" O.D.
42.5	Pressure Relief Seal Guide Complete
42.6	Spring, Comp., 0.600" F.L. X 0.526" O.D.
42.7	Hollow Lock Set Screw
42.8	Regulator Pin Seat
42.9	Regulator Pin
42.10	Wear Disk
42.11	Regulator End Cap Complete
42.12	Regulator Piston Complete
42.13	Plug, 7/64 Ball Bearing
43	O-Ring
44	TCR Bolt Complete
44.1	Front Bolt Insert
44.2	Front Bolt Body
44.3	O-Ring
45	Actuator Link
46	Magazine Release Actuator
47	Air Valve
47.1	Air Valve Body
47.2	Power Tube
47.3	O-Ring
47.4	O-Ring
47.5	Spring, Compression

For part numbers and quantities, refer to [www.Tippmann.com](http://www.Tippmann.com).

TCR Marker Parts List	
ITEM NO.	DESCRIPTION
47.6	Firing Valve Complete
47.6.1	Firing Valve Body
47.6.2	O-Ring
47.6.3	Actuator Pin
47.6.4	Firing Valve Pin Guide
47.6.5	Firing Valve Bushing
47.7	Air Valve End Cap
47.8	Bumper Disk
47.9	15/16" Internal Retaining Ring
47.10	O-Ring
47.11	Air Valve Spool Complete
47.12	Screw, SHCS #4-40 X 9/32"
47.13	O-Ring
47.14	Bolt Bumper Cover
48	Safety Assembly Complete
48.1	Safety Pin
48.2	O-Ring
48.3	O-Ring
49	Short Gas Line Complete
49.1	Short Gas Line
49.2	0.150" I.D. X 0.037" C.S., O-Ring
50	Long Gas Line Complete
50.1	Long Gas Line
50.2	0.150" I.D. X 0.037" C.S., O-Ring
51	Trigger
52	Barrel, 11"L, 7/8-20 Thread
53	Barrel Adapter, D Shape
54	Retaining Ring, E-Style 5/32"
55	Grip, Vertical Folding
56	Spring, Comp., 0.741"F.L. X 0.352" O.D.
57	Detent, Vertical Handle
58	Base, Vertical Handle
59	Nut, T-Screw
60	T-Screw
61	7 Ball Straight Feed Magazine

TCR Marker Parts List	
ITEM NO.	DESCRIPTION
61.1	Right Shell
61.2	Left Shell
61.3	Screw, #4 X 5/8" Black
61.4	Carrier Release Armature
61.5	Carrier Release Spring
61.6	Magazine Ball Latch
61.7	Comp. Spring, 0.600"FI X 0.172"O.D.
61.8	Spring, Comp., 6.125" F.L., 0.594" O.D.
61.9	Carrier Release Lever
61.10	Ball Carrier Complete
61.10.1	Carrier
61.10.2	Carrier Insert
61.10.3	Spring, Comp., 1.00" F.L. X 0.156" O.D.
62	Extended Mag, 12 Ball Complete
62.1	Shell Left Ext Mag
62.2	Shell Right Ext Mag
62.3	Magazine Ball Latch
62.4	Carrier Release Armature
62.5	Spring, Comp 10.304"F.L.X0.594"O.D.
62.6	Comp. Spring, 0.600"FI X 0.172"O.D.
62.7	Spring
62.8	Carrier Release Lever
62.9	Screw, #4 X 5/8" Black
62.10	Ball Carrier Complete Ext Mag
63	1/8" Fill Nipple
64	Base, Nipple Swivel
65	Check Valve, Fill Nipple
66	O-Ring
67	O-Ring
68	Extension, Threaded Fill Nipple
69	O-Ring
70	Rear Sight Assembly
71	Front Flip Up Sight
72	O-Ring
73	Ball Latch (TCR)

For part numbers and quantities, refer to [www.Tippmann.com](http://www.Tippmann.com).

## Warranty and Repair Information

TIPPMANN SPORTS, LLC (“Tippmann”) is dedicated to quality paintball products and outstanding service. In the unlikely event of a problem with this Tippmann paintball marker (“Marker”) and/or Tippmann accessories (“Accessories”), Tippmann’s customer service personnel are available to assist you. For customer service and/or other information, please contact:

### **Tippmann Sports, LLC**

2955 Adams Center Road

Fort Wayne, IN 46803

[www.Tippmann.com](http://www.Tippmann.com)

1-800-533-4831

### **Tippmann Sports Europe, SPRL**

Rue du Mont D’Orcq 16

Z.I. Tournai Ouest, 7503 Froyennes, Belgium

[www.Tippmann.com](http://www.Tippmann.com)

Telephone +32 (0) 69 549 578

## Warranty Registration

To activate the Marker’s Limited Warranty, you must register the Marker within thirty (30) days of the date of original retail sale by:

1. Registering online at [www.Tippmann.com](http://www.Tippmann.com) or
2. Completing the attached warranty registration card and returning it to Tippmann at the address above.

The Limited Warranty for Tippmann Accessories does not require activation or registration; by registering the Marker, you activate the warranty for the Accessories.

## Limited Warranty

Tippmann warrants to the original purchaser that it will make any repairs or replacements necessary to correct defects in material or workmanship, at no charge to you, for the Marker for a period of two (2) years from the date of original retail sale. Further, Tippmann warrants to the original purchaser that it will make any repairs or replacements necessary to correct defects in material or workmanship, at no charge to you, for Tippmann Accessories for a period of ninety (90) days from the date of original retail sale. All Tippmann asks is that you properly maintain and care for the Marker and Accessories (collectively, the “Product”) and that you have warranty repairs performed by Tippmann or a Tippmann Certified Tech Center.

This Limited Warranty is non-transferable, and it does not cover damage or defects to the Product caused by (a) improper maintenance; (b) alteration or modification; (c) unauthorized repair; (d) accident; (e) abuse or misuse; (f) neglect or negligence; and/or (g) normal wear and tear.

Tippmann does not authorize any person or representative to assume or grant any other warranty obligation with the sale of this Product.

THIS IS THE ONLY EXPRESS WARRANTY GIVEN WITH THE PURCHASE OF THIS PRODUCT; ANY AND ALL OTHER EXPRESS WARRANTIES ARE DISCLAIMED. THE IMPLIED WARRANTIES OF MERCHANTABILITY AND FITNESS FOR A PARTICULAR PURPOSE ARE LIMITED TO THE APPLICABLE LIMITED WARRANTY PERIOD SET FORTH HEREIN, AND NO WARRANTIES, WHETHER EXPRESS OR IMPLIED, SHALL APPLY AFTER EXPIRATION OF SUCH PERIOD.

Some states and nations do not allow limitations on the duration of implied warranties, so the above limitation may not apply to you.

The sole and exclusive liability of Tippmann and/or its authorized dealers under this Limited Warranty shall be for the repair or replacement of any part or assembly determined to be defective in material or workmanship. TIPPMANN SHALL NOT BE LIABLE FOR, AND YOU EXPRESSLY DISCLAIM, ANY DIRECT, INDIRECT, CONSEQUENTIAL OR INCIDENTAL DAMAGES (COLLECTIVELY, "DAMAGES") ARISING OUT OF THE SALE OR USE OF, OR YOUR INABILITY TO USE, THE PRODUCT. NO PAYMENT OR OTHER COMPENSATION WILL BE MADE FOR DAMAGES, INCLUDING INJURY TO PERSON OR PROPERTY OR LOSS OF REVENUE WHICH MIGHT BE PAID, INCURRED OR SUSTAINED BY REASON OF THE FAILURE OF ANY PART OR ASSEMBLY OF THE PRODUCT.

Some states and nations do not allow the exclusion or limitation of incidental or consequential damages, so the above limitation or exclusion may not apply to you. This warranty gives you specific legal rights, and you may also have other rights that may vary from state to state or nation to nation.

## Warranty and Non-Warranty Repairs

When shipping the Product to Tippmann for warranty or non-warranty repair:

1. If you have aftermarket parts on your Marker, please test the Marker with original stock parts before returning the Marker for service or repair.
2. Always unload and remove the air/CO<sub>2</sub> supply from the marker. Do not ship the air/CO<sub>2</sub> supply cylinder if it is not completely empty.
3. Ship the Product to the Tippmann address identified.
4. You must pre-pay postage and delivery charges.
5. Provide the date of purchase for the Product.
6. Briefly describe the repair requested.
7. Include your name, return address and a telephone number where you can be reached during normal business hours, if possible.

Tippmann makes every effort to complete its repair work within twenty-four (24) hours of receipt. Tippmann will return the Product to you via regular ground UPS. If you wish to have it returned using a faster service, you can request NEXT DAY AIR UPS OR SECOND DAY AIR UPS, but you will be charged for this service and must include your credit card number with the expiration date. Your credit card will be charged the difference in additional cost over regular ground shipping service.

• *NOTES* • *NOTAS* •



**Tippmann Sports, LLC**  
2955 Adams Center Road, Fort Wayne, IN 46803 USA  
P) 260-749-6022 • F) 260-749-6619 • [www.Tippmann.com](http://www.Tippmann.com)

**Tippmann Sports Europe, SPRL**  
Rue du Mont D'Orcq 16, Z.I. Tournai Ouest, 7503 Froyennes, Belgium  
Telephone +32 (0) 69 549 578 • [europeservice@tippmann.com](mailto:europeservice@tippmann.com) • [www.Tippmann.com](http://www.Tippmann.com)

## **⚠ WARNING**

**Ceci n'est pas un jouet. Une mauvaise utilisation peut causer de sérieuses blessures ou la mort. Une protection pour les yeux, la tête et les oreilles adaptée au paintball doit être portée par l'utilisateur ainsi que tous les utilisateurs situés dans le champ de tir. Nous recommandons que l'acheteur ait au moins 18 ans. Les personnes de moins de 18 ans doivent être supervisées par un adulte durant l'utilisation de ce produit. Lisez le manuel avant d'utiliser ce produit.**

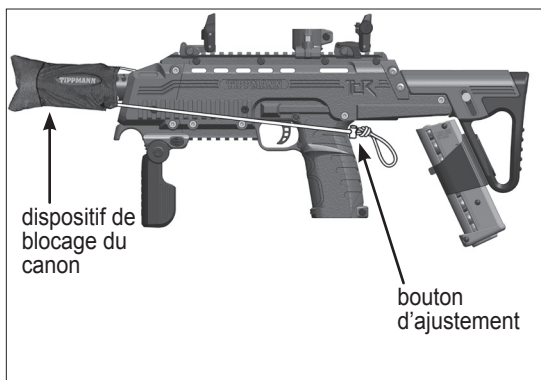
## **⚠ WARNING**

**Gardez toujours le dispositif de blocage du canon activé sauf lorsque vous utilisez votre lanceur. Assurez-vous toujours que la détente est en mode Sécurité (voir instructions à la page 3) et que le dispositif de blocage du canon est installé correctement sur votre lanceur afin d'éviter des dégâts matériels, des blessures graves ou la mort.**

### **Instructions d'installation du dispositif de blocage du canon**

1. Placez le dispositif de blocage du canon dans le canon et attachez la corde derrière la poignée comme indiqué sur la photo ci-contre.

2. Serrez le cordon d'attache du dispositif jusqu'à ce qu'il soit bien serré à l'arrière de la poignée. Relâchez le bouton du cordon. Serrez autant que possible tout en gardant assez d'élasticité de façon à pouvoir enlever le dispositif de blocage du canon et tirer.



3. Pour enlever le dispositif de blocage du canon, desserrez le bouton d'ajustement.

4. Inspectez le dispositif de blocage du canon avant et après chaque utilisation. Si vous remarquez que la corde est abîmée, ou si elle a perdu de son élasticité, remplacez-le dispositif.

5. Nettoyez le dispositif de blocage du canon à l'eau claire, chaude et, lorsque vous ne l'utilisez pas, rangez-le dans un endroit sec, non exposé au soleil.



FELICITATIONS pour l'achat de votre lanceur Tippmann Tactical Compact Rifle (TCR). Nous pensons que nos lanceurs TCR sont les lanceurs de bille les plus précis et les plus solides. Les lanceurs Tippmann TCR sont d'une grande fiabilité si vous en prenez soin correctement.

Prenez le temps de lire ce manuel dans son entièreté et de vous familiariser avec les pièces, l'utilisation et les précautions de sécurité du lanceur Tippmann TCR avant de le charger ou de tirer. Si vous avez une pièce manquante ou cassée, ou si vous avez besoin d'assistance, veuillez contacter le service clientèle de Tippmann au 1-800-533-4831 pour un service rapide et convivial.

### TABLE DES MATIERES

Instructions d'installation du dispositif de blocage du canon .....	1
Avertissement / Déclaration de Responsabilité .....	3
Préparation .....	5
1. Installation d'une cartouche de CO2 .....	5
2. Enlever le Chargeur et Chargement .....	6
3. Tirer avec le Lanceur .....	7
4. Décharger le Chargeur .....	7
5. Viseurs Rabattables .....	7
6. La Poignée Verticale Repliable .....	8
7. Goulot d'Alimentation du Réservoir .....	8
Réglage de la vitesse .....	8
Enlever une Cartouche de CO2 .....	8
Enlever une Cartouche de CO2 Non Utilisée (Non Perforée) .....	9
Enlever une Cartouche de CO2 Usée (Perforée) .....	9
Réglage du TCR pour les Cartouches de CO2 .....	9
Nettoyage et Entretien .....	10
Montage, Démontage et Essai du Chargeur .....	10
Démontage du Chargeur .....	10
Remontage du Chargeur .....	11
Chargeur Vérification .....	12
Montage/Démontage du TCR .....	12
Montage/Démontage de la Valve de Tir .....	14
Montage/Démontage de la valve d'air .....	14
Montage/Démontage de la Valve de Perforation .....	15
Montage/Démontage du Régulateur .....	15
Montage de l'Adaptateur de Ligne à Distance .....	16
Goulot d'Alimentation du Réservoir .....	16
Enlever la Pression d'un Lanceur qui ne Tire Pas .....	17
Réglage de la Valve du Régulateur de Déchargement de Pression .....	17
Dépannage .....	18
Utilisation d'une ligne à distance avec le TCR .....	20
Raccorder, Débrancher et Enlever un Cylindre d'Air/CO2 à Distance .....	20
Avertissements Concernant le Cylindre d'Air/CO2 .....	21
Conseils de Sécurité Concernant le Cylindre d'Air/CO2 .....	22
Réparer les Fuites du Cylindre d'Air/CO2 .....	23
Rangement .....	23
Spécificités .....	24
Diagramme de Pièces .....	26
Informations concernant la garantie et la réparation .....	30


## Avertissement / Déclaration de Responsabilité

Ce lanceur est classé comme arme dangereuse et distribué par Tippmann Sports, LLC. L'acquéreur assume toute la responsabilité en cas d'utilisation dangereuse ou toute action qui constituerait une violation de toute loi ou réglementation applicable. Tippmann Sports, LLC, rejette toute responsabilité en cas de blessure, dégâts matériels ou mort résultant de l'utilisation de cette arme sous toutes circonstances, y compris pour toute décharge intentionnelle, imprudente, négligente ou accidentelle.

Toute information contenue dans ce manuel est susceptible d'être modifiée sans avertissement. Tippmann Sports, LLC, se réserve le droit d'effectuer des modifications et des améliorations sur ses produits sans aucune obligation de les intégrer à des produits vendus au préalable.

Si, en tant qu'utilisateur, vous refusez cette responsabilité, Tippmann Sports, LLC, exige que vous n'utilisiez pas un lanceur Tippmann Sports, LLC. En utilisant ce lanceur de bille vous déchargez Tippmann Sports, LLC de toute responsabilité associée à son utilisation.

### La sécurité est votre responsabilité !

<b>⚠ AVERTISSEMENT</b>	
<p><b>Lorsque vous n'utilisez pas votre lanceur, assurez-vous toujours que la sécurité de la détente est activée et que le dispositif de blocage du canon est correctement installé (voir page 1).</b></p> <p><b><u>Pour activer la sécurité de la détente (mode Sécurité),</u> poussez la sécurité (flèche) comme montré à droite.</b></p> <p><b><u>Pour désactiver la sécurité de la détente (mode Tir),</u> poussez la sécurité dans le sens contraire.</b></p>	

En tant que propriétaire de ce lanceur, vous assumez l'entière responsabilité d'une utilisation sûre et respectueuse des lois. Afin d'assurer votre sécurité ainsi que celle des personnes autour de vous, vous devez respecter les mêmes précautions de sécurité que pour toute autre arme à feu. Nous soulignons ici quelques précautions générales dont vous devez avoir connaissance. L'utilisateur doit, à tout moment, être prudent et faire preuve de bon sens lors de l'utilisation de ce lanceur. Rappelez-vous que la bille ne peut survivre et croître que s'il reste un jeu SÛR!

- Ne chargez pas et ne tirez pas avec ce lanceur sans avoir lu ce manuel dans son intégralité, et vous être familiarisé avec ses particularités de sécurité, son fonctionnement mécanique et sa manipulation.
- Manipulez ce lanceur ou tout autre lanceur comme s'il était chargé à tout instant.
- Ne mettez pas votre doigt sur la détente tant que vous n'êtes pas prêt à tirer.
- Ne regardez pas le canon d'un lanceur de bille. Une décharge accidentelle dans les yeux peut causer une blessure permanente ou la mort.
- Maintenez le lanceur en mode Sécurité tant que vous n'êtes pas prêt à tirer.
- Maintenez le dispositif de blocage du canon installé lorsque vous ne tirez pas (page 1).
- Ne pointez jamais le lanceur sur une chose sur laquelle vous n'avez pas l'intention de tirer.

- Ne tirez jamais sur une chose sur laquelle vous n'avez pas l'intention de tirer, puisqu'il se peut que des billes ou des débris extérieurs soient logés dans la chambre, le canon et/ou dans la valve du lanceur.
- Ne tirez pas sur des objets fragiles comme des vitres.
- Ne tirez jamais sur des objets appartenant à d'autres personnes avec votre lanceur. L'impact de la bille de bille peut causer des dégâts, et la peinture peut tacher les voitures, les maisons, etc.
- Pointez toujours le canon dans une direction sûre, même lorsque vous trébuchez ou si vous tombez.
- Le port de la protection pour les yeux, le visage et les oreilles conçue spécifiquement pour arrêter les billes de billes sous la forme de lunettes et de masques complets conformes aux spécifications ASTM F 1776 est obligatoire pour l'utilisateur ou toute personne à portée de tir.
- Ne tirez jamais vers une personne qui ne porte pas de protection des yeux, du visage et des oreilles conçue pour le bille.
- Ne chargez et ne mettez le lanceur sous pression que lorsqu'il va être utilisé dans l'immédiat.
- Rangez le lanceur déchargé et sans gaz dans un endroit sûr.
- NOTE: Avant le rangement ou le démontage, assurez-vous d'enlever toutes les billes de billes et l'alimentation d'air/CO2 (voir la section Décharger et enlever l'alimentation en air/CO2 aux pages 7-10) et d'installer le dispositif de blocage du canon (voir page 1).
- N'effectuez pas de démontage partiel ou complet du lanceur tant qu'il est sous pression avec de l'air/CO2.
- Lorsque vous jouez une partie de bille, habillez-vous en conséquence. Évitez d'exposer votre peau lorsque vous jouez au bille. Une couche, même fine, absorbera une partie de l'impact et vous protégera des billes de bille.
- Protégez les parties de peau exposées des échappements de gaz lorsque vous installez ou retirez la bouteille d'air comprimé ou s'il y a une fuite au niveau du lanceur ou de l'alimentation d'air. L'air comprimé, le CO2 et l'azote sont très froids et peuvent provoquer des gelures dans certaines conditions.
- N'utilisez que des billes de billes de calibre 68. Ne jamais charger ou tirer sur des objets étrangers.
- Évitez les boissons alcoolisées avant et pendant l'utilisation de ce lanceur. La manipulation de lanceurs sous l'influence de drogues ou d'alcools est une atteinte criminelle à la sécurité publique.
- Évitez de tirer sur un adversaire à bout portant, à 6 pieds (1,83 m) ou moins.
- Familiarisez-vous avec les instructions figurant sur le cylindre d'air/CO2 ou sur l'adaptateur. Pour toute question, contactez le fabricant du cylindre d'air/CO2.
- Lisez les Avertissements et les Conseils de Sécurité Concernant le Cylindre d'air/CO2 aux page 21 avant d'installer ou d'enlever le cylindre.
- Mesurez toujours la vitesse de votre lanceur avant de jouer au bille et ne tirez jamais à des vitesses supérieures à 300 pieds par seconde (91,44 m/s) (voir instructions en page 8).
- Ne brandissez pas et ne montrez pas cet objet en public car cela pourrait provoquer la panique et être retenu comme un crime. La Police ou d'autres personnes pourraient confondre ce produit avec une arme à feu réelle. Toute modification de couleur ou de marques requis par la loi pour faire en sorte que ce produit soit plus ressemblant à une arme à feu est dangereux et pourrait constituer un crime.

## Préparation

- Le port de la protection des yeux conçue pour le bille est obligatoire pour l'utilisateur et toute personne à portée de tir.
- Ne démontez pas ce lanceur tant qu'il est sous pression.
- Ne mettez pas sous pression un lanceur partiellement assemblé.
- Lisez entièrement chaque étape avant de la réaliser.

NOTE: Serrez d'abord prudemment à la main toutes les pièces filetées lors de l'assemblage sans serrer trop fort pour éviter de les endommager. Dans ce manuel, les numéros de référence des pièces sont indiquées entre parenthèses. Vous pouvez aussi trouver ces références dans la photo éclatée aux pages 26-27.

### **⚠ AVERTISSEMENT**

**Protégez les parties de peau exposées des échappements de gaz (flèches) lorsque vous installez ou enlevez une cartouche de CO2, ou si le lanceur ou la prise d'air fuit.**

**L'air comprimé, le CO2 et l'azote sont des gaz très froids et peuvent provoquer des gelures dans certaines conditions**



#### 1. Installation d'une cartouche de CO2

Si votre TCR est équipé de l'option adaptateur à distance, lisez Avertissements et Conseils de Sécurité Concernant le Cylindre d'Air/CO2 aux page 21 avant de commencer l'installation du cylindre. Ne mettez pas sous pression un lanceur partiellement assemblé. Suivez les instructions de l'adaptateur à distance qui débutent à la page 20, puis passez à l'étape 2 de la page 6.

- a. Enclenchez la sécurité de la détente en mode Sécurité (voir page 3) et installez le dispositif de blocage du canon (voir page 1).
- b. Ouvrez la partie gauche du rail Picatinny comme indiqué.
- c. Si nécessaire, inclinez le rail vers le bas pour permettre le chargement d'une cartouche de CO2.
- d. Si nécessaire, secouez le lanceur vers la gauche pour enlever une cartouche de CO2.
- e. Nettoyez la petite extrémité de la cartouche de CO2 de 12 grammes pleine. Inclinez le rail vers le bas et insérez le nouvelle cartouche dans le lanceur comme indiqué par la flèche à droite.
- f. Fermez la partie gauche du rail Picatinny.



Si vous désirez déplacer l'accès au CO2 de l'autre coté du lanceur, suivez l'étape 5 à la page 12, partie Montage/ Démontage du TCR.

**NOTE:** La cartouche de CO2 n'est pas perforée lors de l'installation. Lorsque vous enclenchez le mode Feu de la sécurité de la détente, la première pression sur la détente percera la cartouche de CO2. Vous pourrez entendre la mise sous pression du lanceur par la cartouche de CO2. Votre lanceur est maintenant prêt à tirer lors de la prochaine

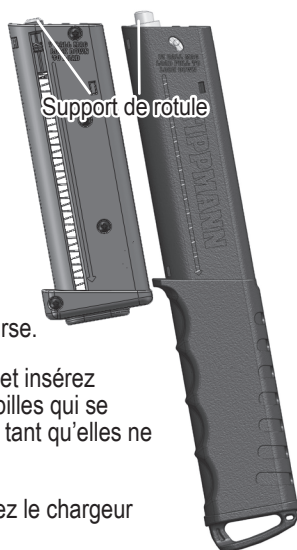
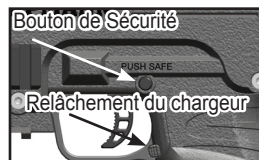
pression sur la détente. **IMPORTANT:** Si votre lanceur perd du gaz, protégez les parties de peau exposées des échappements de gaz (les flèches sur l'illustration d'AVERTISSEMENT ci-dessous montrent les points d'échappement du gaz) et suivez les instructions de *Enlever une Cartouche de CO2* à la page 8 (Pour les lanceurs équipés de l'adaptateur à distance, voir page 16). Ensuite, allez voir la section Dépannage en page 18.

## 2. Enlever le Chargeur et Chargement

Le dispositif de blocage du canon doit être installé (voir page 1) et la détente doit être en mode Sécurité (voir la flèche à droite ainsi qu'en page 3).

Un chargeur 7 billes et 12 billes sont fournis. Le chargeur 12 billes peut contenir des billes First Strike ainsi que des billes de calibre .68. Si vous décidez d'utiliser les billes First Strike, lisez et familiarisez vous avec les Avertissements ci-dessous. Le chargeur 7 billes ne peut contenir que des billes de calibre .68.

- Pour enlever le chargeur, poussez le bouton de dégagement du chargeur et celui-ci sortira de la poignée.
- Pour le chargeur 7 billes, tirez les axes sur les cotés vers le bas jusqu'à ce qu'il se verrouille en fin de course.
- Maintenez le chargeur à la verticale comme montré, et insérez les billes une à la fois jusqu'à ce qu'il soit plein. Les billes qui se trouvent dans le chargeur ne sont pas sous pression tant qu'elles ne sont pas insérées dans le lanceur.
- Pour insérer un chargeur plein dans le lanceur, glissez le chargeur dans la poignée jusqu'à ce qu'il s'emboîte.



## **⚠ AVERTISSEMENT**

**Ce lanceur n'est pas un jouet. Une mauvaise utilisation peut provoquer des blessures sérieuses ou la mort. Soyez très prudent si des billes "First Strike", non-sphériques ou sphériques sont utilisées. Les billes "First Strike" parcourent une distance plus importante que les billes standard. L'utilisateur ainsi que toute personne à portée de tir doivent impérativement porter une protection pour les yeux, le visage et les oreilles. Certains terrains pourraient ne pas autoriser l'utilisation des billes "First Strike". Tous les lanceurs doivent être contrôlés pour s'assurer que la vitesse des billes ne dépasse pas les 300 pieds par seconde (92 mps) ou toute autre vitesse imposée par le terrain. Lisez le Manuel d'utilisateur avant d'utiliser ce produit. Ce lanceur est conçu pour dépasser la norme F2272 de l'ASTM. Les billes "First Strike" et autres billes sphériques et non-sphériques pourraient ne pas respecter la norme F1979 de l'ASTM.**

### 3. Tirer avec le Lanceur

Le port de la protection des yeux conçue pour le bille est obligatoire pour l'utilisateur et toute personne à portée de tir. Pointez le lanceur dans une direction sûre. Désactivez le dispositif de blocage du canon. Enclenchez le mode Feu de la sécurité de la détente. Appuyez sur la détente pour tirer avec le lanceur. Chaque pression sur la détente lance une bille.

NOTE: Si après avoir chargé la cartouche de CO2 correctement et l'avoir percutée, votre lanceur ne tire pas, ré-enclenchez le mode Sécurité de la détente (voir page 3), installez le dispositif de blocage du canon (page 1) et allez voir la section Dépannage en page 18.

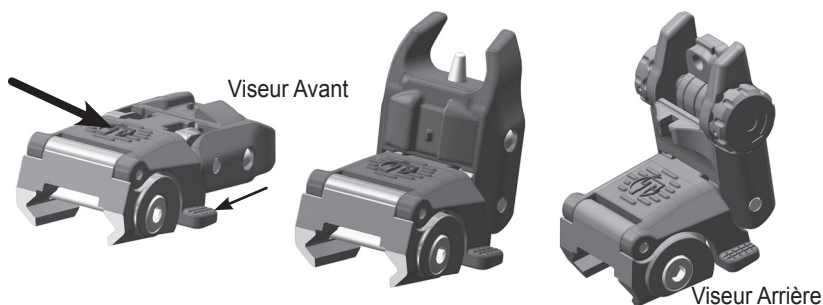
### 4. Décharger le Chargeur

- Le port de la protection des yeux conçue pour le bille est obligatoire pour l'utilisateur et toute personne à portée de tir.
- Enlevez le chargeur du lanceur TCR. Il se peut que deux billes tombent de la poignée lorsque vous enlevez le chargeur. Vérifiez si une bille ne se trouve pas dans la culasse de la chambre. Pointez le lanceur dans une direction sûre et appuyez sur la détente (tir à vide) pour vider le lanceur de toutes billes restantes. Enclenchez la sécurité de la détente en mode Sécurité (voir page 3) et insérez le dispositif de blocage du canon (voir page 1).
- Si vous le désirez, vous pouvez recharger les billes mal fixées dans le chargeur.
- Pour enlever toutes les bille du chargeur, poussez sur le haut du déclencheur de la bobine du chargeur avec un objet plat. Toutes les bille restantes remonteront vers le haut du chargeur (une vue éclatée des composants du chargeur se trouve à la page 11).

**CONSEIL:** Pour de meilleurs résultats et pour garder un niveau de performance élevé avec votre TCR, il est conseillé d'utiliser des billes qui ne sont ni trop vieilles, ni trop fragiles, et qui n'ont pas de coups ou de défauts. Pour déterminer si vous pouvez utiliser une bille avec votre lanceur TCR ou pas, pressez la bille entre vos doigts pour voir si elle se déforme facilement. Tippmann déconseille de laisser des billes dans le chargeur pendant une durée indéterminée, étant donné que cela pourrait causer la déformation des billes. Ne chargez vos chargeurs de billes que le jour où vous jouez.

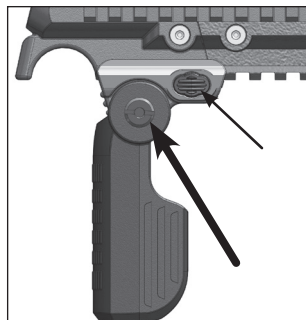
### 5. Viseurs Rabattables

Le viseur rabattable avant et arrière peut être dans deux positions. Quand il est à plat contre la rampe Picatinny, vous pouvez appuyer sur le logo T Tippmann (flèche large) ou appuyez sur les deux languettes situées sur les côtés (petite flèche) afin des les redresser.



## 6. La Poignée Verticale Pliable

Appuyer sur le bouton (flèche large) pour replier la poignée à l'angle désiré. appuyez sur le bouton (petite flèche) pour déplacer la poignée à une position différente sur la rampe du Picatinny, ou à retirer la poignée du rail du Picatinny.



## 7. Goulot d'Alimentation du réservoir

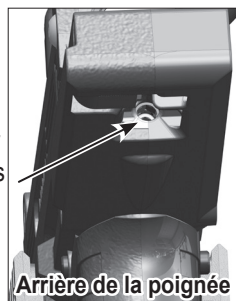
Si vous souhaitez utiliser l'alimentation par la trémie option, reportez-vous aux instructions de TCR Désassemblage/ assemblage de la page 16.

## Réglage de la vitesse

Vérifiez la vitesse de votre lanceur à l'aide d'un chronographe (instrument mesurant la vitesse), avant de jouer au billé. Vérifiez que la vitesse du lanceur est sous les 300 pieds par seconde (91.44 m/seconde), ou moins si le terrain de jeux le nécessite.

Pour régler la vitesse, utilisez la clé hexagonale 3/16" comprise avec votre lanceur. La vis de réglage de la vitesse se trouve à l'arrière du lanceur, comme montré à droite. (N'utilisez pas de clé hexagonale plus petite pour régler la vis de la valve du régulateur de déchargement de pression, qui est accessible par la vis du régulateur de vitesse voir note ci-dessous). Pour réduire la vitesse, tournez la vis dans le sens contraire des aiguilles d'une montre. Pour augmenter la vitesse, tournez la vis dans le sens des aiguilles d'une montre.

**NOTE:** Ce lanceur est équipé d'une valve de régulateur de déchargement de pression qui empêche la pression excessive de CO2 d'abîmer votre lanceur. Ce régulateur est fixé à 24 bar (350 psi). Le gaz pression sera déchargé par le point d'accès. Réglez seulement comme indiqué dans les instructions de la *Valve du Régulateur de Déchargement de Pression* en page 17.



Arrière de la poignée

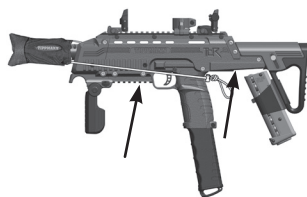
## Enlever une Cartouche de CO2

### **⚠ AVERTISSEMENT**

**Protégez les parties de peau exposées des échappements de gaz (flèches) lorsque vous installez ou enlevez une cartouche de CO2, ou si le lanceur ou la prise d'air fuient.**

**L'air comprimé, le CO2 et l'azote sont des gaz très froids et peuvent provoquer des gelures dans certaines conditions.**

**Le port de la protection des yeux conçue pour le billé est obligatoire pour l'utilisateur et toute personne à portée de tir.**



Ne rangez pas et ne démontez pas votre lanceur lorsqu'une cartouche de CO2 est installée (perforée ou pas). Si votre lanceur est équipé d'un kit adaptateur à distance, n'enlevez pas la cartouche de CO2 sans avoir préalablement suivi les étapes de Démontage d'une cartouche de CO2, voir instructions de *Adaptateur à Distance* en page 20. Lisez chaque étape attentivement avant de passer à la pratique.



## Enlever une Cartouche de CO2 Non Utilisée (Non Perforée)

Si vous avez installé une nouvelle cartouche de CO2, mais que vous n'avez pas encore appuyé sur la détente pour percer la cartouche et que vous décidez que vous ne voulez pas que cette cartouche se retrouve dans le lanceur, suivez les instructions suivantes:

1. Le port de la protection des yeux conçue pour le bille est obligatoire pour l'utilisateur et toute personne à portée de tir. Gardez toujours le canon TCR pointé à l'écart.
2. Ouvrez le Rail Picatinny/Accès au CO2 comme indiqué en page 5.
3. Inclinez le rail vers le bas pour permettre à une éventuelle cartouche de CO2 de dégager l'ouverture.
4. Secouez le lanceur pour que l'accès au CO2 soit vers le bas et levez le canon vers le haut. Une cartouche de CO2 tombera du lanceur.
5. Fermez le Rail Picatinny/Accès au CO2.

## Enlever une Cartouche de CO2 Usée (Perforée)

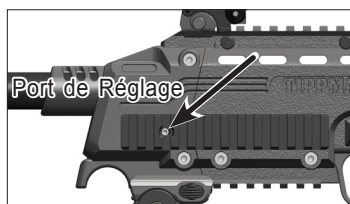
Si une cartouche de CO2 est perforée, il faut la vider avant de l'enlever.

1. Le port de la protection des yeux conçue pour le bille est obligatoire pour l'utilisateur et toute personne à portée de tir. Gardez toujours le canon TCR pointé à l'écart.
2. Pointez le lanceur dans une direction sûre et tirez jusqu'à ce qu'il n'y ait plus de CO2 dans la cartouche. NOTE: Si une cartouche percutee se trouve dans votre lanceur, et que celui-ci ne tire pas, suivez les instructions en page 17 sur Enlever la pression d'un lanceur qui ne tire pas.
3. Ouvrez le Rail Picatinny/Accès au CO2 comme indiqué en page 5.
4. Inclinez le rail vers le bas pour permettre à une éventuelle cartouche de CO2 de dégager l'ouverture.
5. Secouez le lanceur pour que l'accès au CO2 soit vers le bas et levez le canon vers le haut. Une cartouche de CO2 tombera du lanceur.
6. Si vous le désirez, installez une nouvelle cartouche de CO2.
7. Fermez le Rail Picatinny/Accès au CO2.

## Réglage du TCR pour les Cartouches de CO2

La longueur des cartouches de CO2 diffère selon la marque. Le TCR est facilement réglable pour percer une variété de cartouches. Ce réglage évite également aux cartouches de CO2 de couler dans la valve de perçage.

1. Si la cartouche de CO2 n'est pas percée ou si elle coule, tournez le port de réglage dans le sens des aiguilles d'une montre avec une clé hexagonale de 3/32" pour rapprocher la cartouche de CO2 du percuteur et agrandir la superficie de perçage.
2. Pour éviter qu'une cartouche de CO2 ne soit percutee pendant l'installation, tournez une clé hexagonale de 3/32" dans le sens contraire des aiguilles d'une montre pour éloigner la cartouche du percuteur.



## Nettoyage et Entretien

Vous devez toujours porter une protection pour les yeux (lunettes de sécurité) lorsque vous nettoyez ou que vous procédez à l'entretien de votre lanceur TCR. Afin de réduire les risques de tir accidentel, suivez les instructions en page 8 expliquant comment Enlever une cartouche de CO2 (page 20 pour les lanceurs équipés de l'adaptateur à distance). Ne démontez jamais un lanceur sous pression. Nettoyez et lubrifiez votre lanceur avec la graisse Tippmann après environ 5000 tirs.

- Familiarisez-vous avec les instructions d'utilisation, de manipulation, de rangement et de l'élimination concernant les cartouches de CO2 et/ou de cylindre d'air/CO2 et respectez les avertissements. Pour toute question, contactez le fabricant du cylindre d'air/CO2.
- Lisez et suivez les *Conseils de Sécurité* et les *Avertissements Concernant le Cylindre d'air/CO2* aux pages 21-22.
- Les produits à base d'essence et les aérosols peuvent endommager les joints du lanceur. N'utilisez pas de nettoyeurs à base d'essence. N'utilisez pas de nettoyeurs en aérosol.
- Nettoyez votre lanceur en utilisant un linge humide pour enlever la peinture, la graisse ou des débris.
- Pour nettoyer l'intérieur du canon, tournez celui-ci dans le sens des aiguilles d'une montre et enlevez-le. Poussez le squeegee dans le canon puis, retirez-le pour enlever d'éventuels débris.
- Pour nettoyer la culasse et le canon, enlevez le chargeur. Poussez le squeegee dans la poignée et retirez-le pour enlever d'éventuels débris.
- Nettoyez votre lanceur en utilisant un linge humide pour enlever la peinture, la graisse ou des débris. Séchez les ressorts immédiatement pour éviter qu'ils ne rouillent.
- Pour garder votre lanceur dans de bonnes conditions d'utilisation, inspectez, nettoyez et remplacez toute pièce défectueuse. Lubrifiez comme expliqué dans la section *Montage/Démontage du lanceur* qui suit. Les meilleurs joints de valve sont en uréthane. Les joints en uréthane ne sont pas abîmés par la forte pression d'air/CO2. Vous pouvez vous en procurer chez Tippmann ou chez votre fournisseur de bille local. Afin de garder votre lanceur dans de bonnes conditions d'utilisation, utilisez de la graisse Tippmann pour lubrifier légèrement les joints et ressorts.

## Montage, Démontage et Essai du Chargeur

Lisez les instructions suivantes complètement avant d'essayer de monter ou démonter le chargeur. Ces instructions montrent le chargeur 7 billes, mais sont aussi valables pour le chargeur 12 billes. Certaines pièces du chargeur 12 billes sont juste plus longues que celles du chargeur 7 billes. Référez-vous au schéma de la page 11 pour ces instructions.

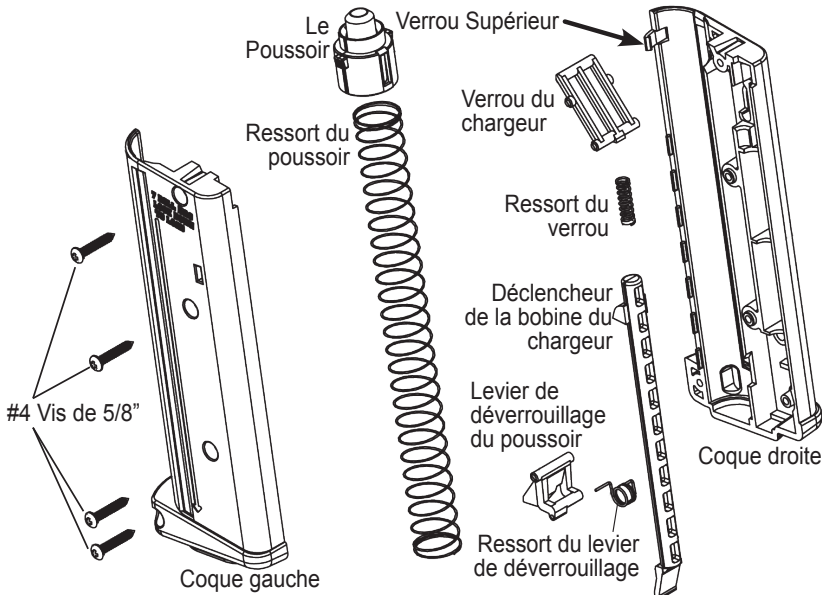
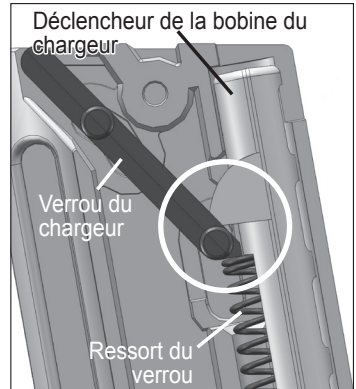
### Démontage du Chargeur

1. Déposez le chargeur sur un plan de travail avec le coté gauche (chargeur 7 billes) ou droit (chargeur 12 billes) vers le haut.
2. Enlevez 4 vis (chargeur 7 billes) ou 6 vis (chargeur 12 billes) #4 vis x 5/8.
3. Appuyez légèrement sur le coin supérieur (flèche sur l'illustration du dessous à la page suivante), puis séparez les deux moitiés du chargeur.
4. Enlevez et nettoyez les pièces se trouvant à l'intérieur si nécessaire.

NOTE: Si vous nettoyez le Ressort du Porte Chargeur (7 billes) à l'eau, séchez bien et appliquez une fine couche d'huile Tippmann avant le remontage pour éviter la rouille.

## Remontage du Chargeur

1. Placez le ressort du levier de désengagement du Porte Chargeur dans la coque droite.
2. Ajustez soigneusement le ressort dans le levier de désengagement du Porte Chargeur.
3. Placez le verrou du chargeur et la bobine de désengagement du Porte Chargeur dans la coque droite.
4. Placez le ressort du verrou entre le verrou du chargeur et la bobine de désengagement du Porte Chargeur. Le ressort du verrou doit être placé dans une poche formée par ces deux pièces à l'intérieur de la coque droite.
5. Vérifiez que le verrou du chargeur et la bobine de déverrouillage du poussoir sont orientés comme indiqué dans le cercle sur le schéma de droite. La surface plate du verrou du chargeur et la bobine de déverrouillage s'assemblent, et doivent être bien alignées pour que le chargeur puisse fonctionner correctement.
6. Placez le ressort du poussoir dans la coque droite.
7. Installez la coque gauche sur la moitié droite, mais n'emboîtez pas complètement les deux parties. Assurez-vous que les pièces internes restent en place pendant que vous assemblez les deux coques. Le coin supérieur (voir flèche) de la coque droite ne s'enclenche pas encore.
8. Installez les 4 vis de 5/8. Vissez-les fermement.
9. Placez le Porte Chargeur sur le ressort (ajustez les deux attaches du Porte Chargeur avec les entailles sur les deux coques) et glissez-le en haut des coques assemblées.



Poussez sur le Porte Chargeur jusqu'à ce qu'il soit verrouillé dans le chargeur. Notez que le chargeur 12 billes a un côté plat qui se place contre le verrou du porte chargeur.

10. Appuyez sur le haut du chargeur pour que la partie supérieure se verrouille (flèche ci-contre).
11. Installez les 4 vis de 5/8 restantes. Vissez-les fermement.

### Chargeur Vérification

1. Utilisez une fine tige pour pousser le Porte Chargeur. Assurez-vous que le Porte Chargeur bouge librement.
2. Pendant que vous tenez les attaches du Porte Chargeur, poussez sur la bobine de désengagement du porte chargeur et assurez-vous que le verrou de celui-ci bouge naturellement.
3. Poussez le Porte Chargeur au fond du chargeur jusqu'à ce qu'il se verrouille.
4. Placez un doigt dans le haut du canon, ensuite appuyez sur la bobine de désengagement du porte chargeur. Si vous désengagez le porte chargeur sans mettre un doigt dans le canon pour l'arrêter l'armature du porte chargeur pourrait casser.

L'essai du chargeur est terminé.

### Montage/Démontage du TCR

Préparez une table avec beaucoup d'espace pour travailler sans que de petites pièces ne se perdent. Portez une protection pour les yeux pendant le démontage et le remontage. Ne démontez pas un lanceur sous pression. Ne mettez pas sous pression un lanceur partiellement assemblé. Déchargez le TCR en suivant les instructions (étape 4) en page 7. Suivez les instructions sur *Enlever une cartouche de CO2* en page 8 (page 20 si un adaptateur à distance est installé).

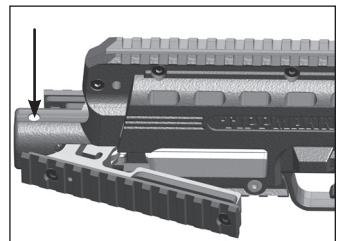
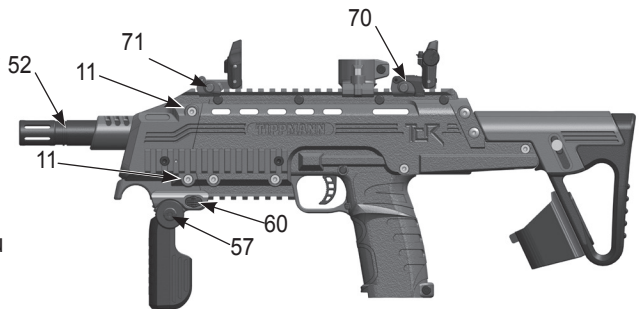
1. Enlevez le canon (52) en le tournant dans le sens des aiguilles d'une montre et sortez-le.
2. Enlevez les viseurs avant et arrière en dévissant la vis qui les maintient au Rail Picatinny.
3. Enlevez la poignée avant pliable en poussant sur le bouton (60) et en le glissant hors du Rail Picatinny. En appuyant sur le bouton (57), vous pourrez changer l'angle de la poignée avant pliable.

4. Utilisez une clé hexagonale de 1/8" pour enlever les deux vis (11). Enlevez le récepteur avant en le glissant vers l'avant.

5. Ouvrez le compartiment du CO2 Poussez l'attache pivot hors du lanceur en utilisant la longue tige d'une clé hexagonale.

Vous pouvez maintenant enlever la porte du CO2 du lanceur.

- a. Si vous désirez placer l'accès du CO2 de l'autre côté du lanceur, enlevez le Rail Picatinny du côté droit du lanceur (2 vis).
- b. Tournez l'intérieur du boîtier du CO2 de 180°.
- c. Installez le Rail Picatinny sur le côté gauche du lanceur.

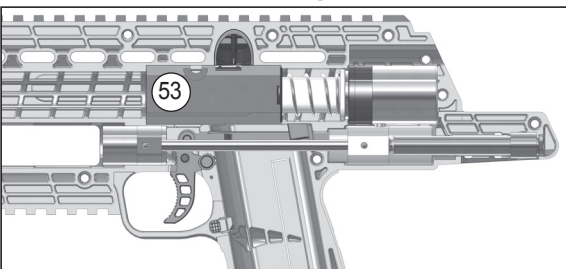


d. Installez l'accès au CO2 sur le coté droit du lanceur. Remontez l'attache pivot pour que la porte d'accès tienne en place.

6. Enlevez le récepteur gauche en dévissant les 12 vis (entourées en blanc ci-contre) du coté gauche du lanceur. Les récepteurs gauches et droits tiennent ensemble grâce à une attache entourée d'un cercle noir sur la droite. Soulevez délicatement le récepteur gauche pour accéder aux pièces internes.



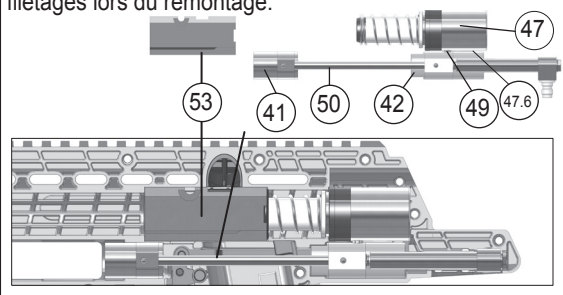
7. Sortez l'adaptateur du canon (53). Enlevez (en une seule pièce) la longue unité de gaz (50), la valve de perforation (41), le régulateur (42), la valve d'air (47) (avec la valve de tir (pièces 47.6 de la liste de pièces), et la petite unité de gaz (49).



Pour séparer ce sous montage, détachez la longue unité de gaz des 2 raccords pneumatiques.

(Au remontage, lubrifiez les joints de la longue unité de gaz). Sortez le régulateur de la valve d'air et enlevez la petite unité de gaz (lubrifiez les joints au remontage). Enlevez la valve de tir (47,6) de la valve d'air (voir Démontage de la valve de tir, à la page suivante).

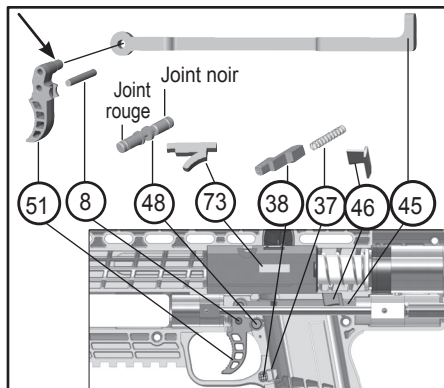
NOTE: visser soigneusement toutes les pièces filetées. Ne pas trop serrer, vous pourriez endommager les filetages lors du remontage.



8. Enlevez le ressort (37) du bouton de déverrouillage du chargeur (38), la sécurité (48) (au remontage, le joint noir va dans la moitié droite de la poignée), la détente (51), la goupille du chargeur (8), les verrous (73), et le câble du vérin (45).

9. Nettoyez et inspectez les pièces. Remplacez toute pièce abîmée. Pour garder votre lanceur dans de bonnes conditions d'utilisation, utilisez la graisse Tippmann pour lubrifier les joints de sécurité, le ressort (37), l'articulation de la détente (flèche sur la droite), et la goupille de la détente (8).

10. Pour le remontage, suivez les instructions à l'envers et assurez-vous que le vérin (47.6.3, flèche ci-dessous à droite) est emboîté dans le bloc de la valve de tir comme indiqué.

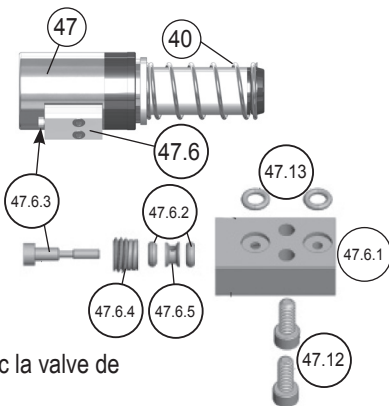


NOTE: Insérez délicatement à la main toutes les pièces filetées. Ne serrez pas trop fort, pour ne pas abîmer les pièces lors du remontage.

NOTE: Un montage incorrect peut abîmer des pièces, causer des pertes d'air/CO<sub>2</sub>, et d'autres problèmes. En remontant votre lanceur, assurez-vous que toutes les pièces sont propres, lubrifiées, installées correctement et qu'elles ne sont pas abîmées.

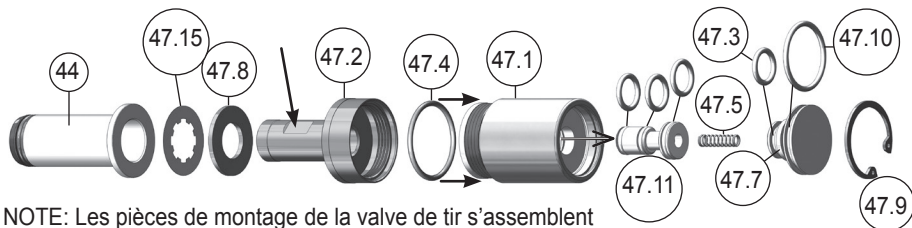
## Montage/Démontage de la Valve de Tir

1. Suivez les instructions de Montage/Démontage du lanceur en page 12.
2. Sortez la valve de tir de la valve d'air (47), en dévissant les deux vis à tête de socket (47.12) avec une clé hexagonale 3/32".
3. Les deux joints (47.13) ne sont pas attachés. NOTE: Assurez-vous que les deux joints soient remplacés lorsque vous remontez la valve de tir à la valve d'air.
4. Sortez la tige du vérin (47.6.3). NOTE: Lors du remontage, vérifiez que la tige est à niveau avec la valve de tir comme sur le dessin.
5. Enlevez la tige de la valve de tir (47.6.4) en utilisant une clé 3/32".
6. Tapotez sur la valve de tir (47.6.1). Deux joints (47.6.2), ainsi que le manchon de la valve (47.6.5) devraient tomber (si vous devez sortir vous même les pièces, utilisez un outil en plastique pour ne pas les abîmer).
7. Nettoyez et inspectez les pièces. Remplacez toute pièce abîmée. Afin de garder votre lanceur dans de bonnes conditions d'utilisation, utilisez de la graisse Tippmann pour lubrifier légèrement les joints (47.6.2) et le ressort (40).
8. Pour remonter et rattacher la valve de tir à la valve d'air, suivez les instructions dans le sens inverse. NOTE: Serrez d'abord prudemment à la main toutes les pièces filetées lors de l'assemblage sans serrer trop fort pour éviter de les endommager. NOTE: Un montage incorrect peut abîmer des pièces, causer des pertes d'air/CO<sub>2</sub>, et d'autres problèmes. En remontant votre lanceur, assurez-vous que toutes les pièces sont propres, lubrifiées, installées correctement et qu'elles ne sont pas abîmées.



## Montage/Démontage de la Valve d'air

1. Suivez les instructions de Montage/Démontage du lanceur en page 12.
2. Reférez-vous au schéma en haut de la page suivante. Glissez le ressort de la culasse avant (44), la coque du pare-chocs de la culasse (47.15) et le pare-chocs (47.8) hors du Power Tube (47.2).
3. Enlevez le Power Tube de la valve d'air (47.1) en dévissant le tube avec une clé plate de 1/2" (voir ci-dessous).



NOTE: Les pièces de montage de la valve de tir s'assemblent avec le corps de valve (58) (voir Montage/Démontage de la Valve de Tir).

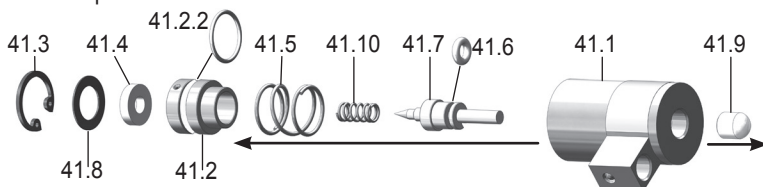
4. Pour accéder aux pièces internes de la valve d'air, enlevez le joint d'arrêt (47.9) avec un outil adapté. NOTE: L'outil utilisé pour enlever le joint d'arrêt doit correspondre à la taille du joint d'arrêt. L'utilisation d'un outil trop petit pourrait faire sauter le joint et provoquer

des blessures et/ou abîmer des pièces. Pour enlever les pièces internes de la valve d'air (47.1), sortez-les soigneusement dans la direction montrée ci-dessous à l'aide d'un outil en plastique.

5. Nettoyez et inspectez les pièces. Remplacez toute pièce abîmée. NOTE: Le schéma montre les joints démontés. Il n'est pas nécessaire d'enlever les joints, comme ci-contre, pour les inspecter, les nettoyer et les lubrifier. Afin de garder votre lanceur dans de bonnes conditions d'utilisation, utilisez de la graisse Tippmann pour lubrifier légèrement les rondelles et ressorts. Assurez-vous de graisser la culasse avant (44), le joint et le Power Tube (47.2).
6. Pour le remontage, suivez les instructions dans le sens inverse. NOTE: Serrez d'abord prudemment à la main toutes les pièces filetées lors de l'assemblage sans serrer trop fort pour éviter de les endommager. NOTE: Un montage incorrect peut abîmer des pièces, causer des pertes d'air/CO<sub>2</sub>, et d'autres problèmes. En remontant votre lanceur, assurez-vous que toutes les pièces sont propres, lubrifiées, installées correctement et qu'elles ne sont pas abîmées.

## Montage/Démontage de la Valve de Perforation

1. Suivez les instructions de Montage/Démontage du lanceur en page 12. Lors du remontage, ne serrez pas trop fort, pour ne pas abîmer les pièces.
2. Pour accéder aux pièces internes de la valve de perforation, enlevez le joint d'arrêt (41.3) avec un outil adapté. NOTE: Cet outil doit correspondre à la taille du joint d'arrêt. L'utilisation d'un outil trop petit pourrait faire sauter le joint et provoquer des blessures et/ou abîmer des pièces.  
Pour retirer les pièces internes de la valve de perforation (41.1), enlevez la goupille du bouchon de perforation (41.9) et sortez délicatement la goupille et les pièces internes, comme montré par la flèche ci-dessous.

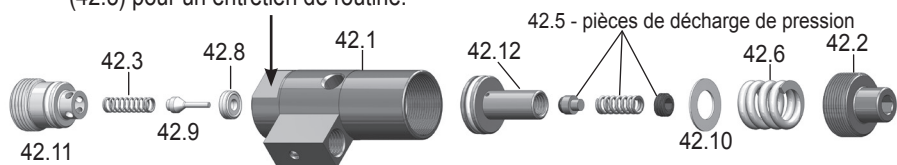


3. Nettoyez et inspectez les pièces. Remplacez toute pièce abîmée. NOTE: Il n'est pas nécessaire d'enlever les joints, comme ci-contre, pour les inspecter, les nettoyer et les lubrifier. Afin de garder votre lanceur dans de bonnes conditions d'utilisation, utilisez de la graisse Tippmann pour lubrifier légèrement les rondelles et ressorts.
4. Pour le remontage, suivez les instructions dans le sens inverse. NOTE: Serrez d'abord prudemment à la main toutes les pièces filetées lors de l'assemblage sans serrer trop fort pour éviter de les endommager. NOTE: Un montage incorrect peut abîmer des pièces, causer des pertes d'air/CO<sub>2</sub>, et d'autres problèmes. En remontant votre lanceur, assurez-vous que toutes les pièces sont propres, lubrifiées, installées correctement et qu'elles ne sont pas abîmées.

## Montage/Démontage du Régulateur

1. Suivez les instructions de Montage/Démontage du lanceur en page 12.
2. Pour enlever l'extrémité du bouchon (42.11) du régulateur (42.1), serrez-le sur les cotés aplatis avec une clé de 5/8" et retirez le bouchon en tournant vers la gauche avec une clé hexagonale de 3/16". Les pièces internes glisseront en dehors.
3. Pour enlever le régulateur de vitesse (42.2), dévissez-le avec une clé Allen de 3/16" jusqu'à ce que celui-ci ainsi que le ressort (42.6) sortent. Sortez le régulateur du piston (42.12)

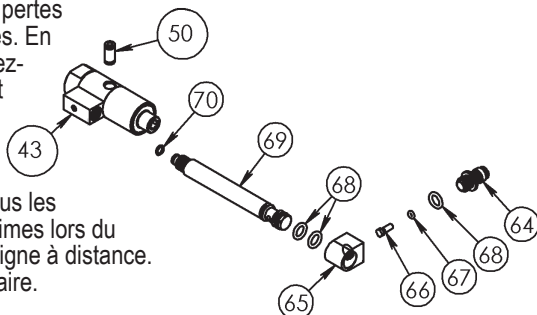
avec vos doigts. Il n'est pas indispensable de sortir les pièces de décharge de pression (42.5) pour un entretien de routine.



- Nettoyez et inspectez les pièces. Remplacez toute pièce abîmée. NOTE: Il n'est pas nécessaire d'enlever les joints, comme ci-contre, pour les inspecter, les nettoyer et les lubrifier. Afin de garder votre lanceur dans de bonnes conditions d'utilisation, utilisez de la graisse Tippmann pour lubrifier légèrement les rondelles et ressorts.
- Remontez le régulateur en suivant les instructions dans le sens inverse. NOTE: Un montage incorrect peut abîmer des pièces, causer des pertes d'air/CO<sub>2</sub>, et d'autres problèmes. En remontant votre lanceur, assurez-vous que toutes les pièces sont propres, lubrifiées, installées correctement et qu'elles ne sont pas abîmées.
- Si vous avez enlevé les pièces de décharge de pression de la pièce 42,12, vous devrez ajuster la valve du régulateur de décharge de pression avant de remonter votre lanceur.

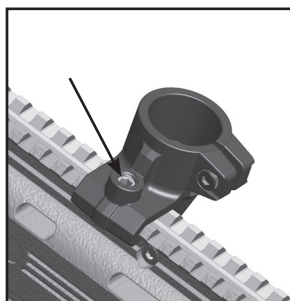
## Montage de l'Adaptateur de Ligne à Distance

- L'adaptateur de ligne à distance est montré à droite. NOTE: Un montage incorrect peut abîmer des pièces, causer des pertes d'air/CO<sub>2</sub>, et d'autres problèmes. En remontant votre lanceur, assurez-vous que toutes les pièces sont propres, lubrifiées, installées correctement et qu'elles ne sont pas abîmées.
- Assurez-vous de vérifier que tous les joints ne soient pas usés ou abîmés lors du démontage de l'adaptateur de ligne à distance. Remplacez les joints si nécessaire.



## Goulot d'Alimentation du Réservoir

- Démonter le lanceur comme décrit dans Désassemblage TCR/Assemblage les étapes 1 à 6. Séparer les deux moitiés du récepteur et déposer la trémie d'alimentation bouchon (5) à partir de la droite du récepteur la moitié.
- Retournez le baril adaptateur (53) de manière à ce que la partie qui reçoit le Magazine est désormais orientée vers le haut.
- Remonter le lanceur. Faites glisser le bac d'alimentation sur le haut du Picatinny Rail dans l'alignement du trou de la trémie d'alimentation Plug. Utiliser la vis pour le maintenir en place, comme illustré (flèche). Réinstallez l'avant puis l'arrière.





## Enlever la Pression d'un Lanceur qui ne Tire Pas

### **⚠ AVERTISSEMENT**

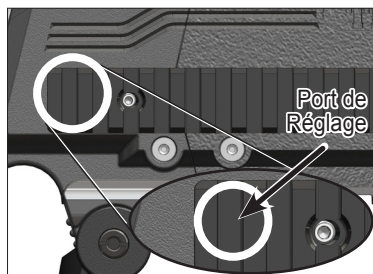
Protégez les parties de peau exposées des échappements de gaz lorsque vous installez ou retirez une cartouche de CO2 ou s'il y a une fuite au niveau du lanceur ou de l'alimentation d'air. L'air comprimé, le CO2 et l'azote sont très froids et peuvent provoquer des gelures dans certaines conditions..



Le port du masque conçue pour le bille est obligatoire pour l'utilisateur et toute personne à portée de tir.

N'utilisez cette procédure que si votre lanceur ne tire pas et que la cartouche de CO2 a été perforée. Enclenchez la sécurité de la détente en mode Sécurité (voir page 3) et insérez le dispositif de blocage du canon (voir page 1). Enlevez le chargeur comme expliqué dans la section *Enlever une Cartouche de CO2* (voir page 8).

Reculez la vis de réglage de la cartouche de CO2 dans le port de réglage pour vider le CO2 de la cartouche. Si votre lanceur perd du gaz, protégez les parties de peau exposées des échappements de gaz (voir flèche dans les avertissements sur la page précédente). Enlevez et jetez la cartouche de CO2. Vous devrez réajuster les réglages de perforation pour la prochaine cartouche de CO2 (voir instructions en page 9).

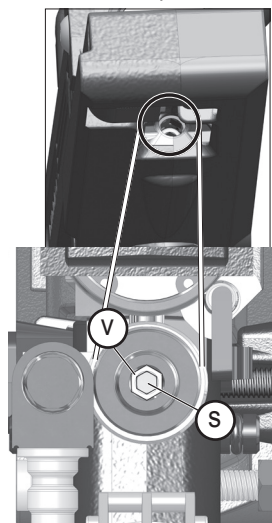


FRANÇAIS

## Réglage de la Valve du Régulateur de Déchargement de Pression

Le régulateur de déchargement de pression est fixé à 24 bar (350 psi) au montage en usine. Ne le réglez pas plus haut que 24 bar (350 psi) car cela pourrait abîmer les pièces de votre lanceur ou provoquer des blessures. Si vous démontez le régulateur (page 16) et que vous enlevez les pièces de la partie 71, vous devrez réajuster la valve du régulateur de déchargement de pression avant d'utiliser votre lanceur.

1. Réglez la vitesse comme indiqué dans la section Réglage de la vitesse en page 8, jusqu'à ce que le chronographe de votre lanceur indique 300 pieds par seconde ou moins.
2. Enclenchez la sécurité de la détente en mode Sécurité (voir page 3) et insérez le dispositif de blocage du canon (voir page 1). Enlevez le chargeur comme expliqué dans la section Enlever, charger et décharger le chargeur (voir page 9).
3. Insérez une clé hexagonale de 1/8" dans la vis réglage de vitesse (S) et dans la vis du régulateur de déchargement (V), puis, tournez-la lentement dans le sens inverse des aiguilles d'une montre jusqu'à ce que l'air/CO2 commence à s'échapper de la valve de déchargement. Ensuite, tournez la vis lentement dans le sens des aiguilles



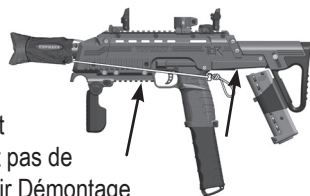
d'une montre jusqu'à ce que l'air/CO2 ne s'échappe plus, pour fixer la pression de déchargement. NOTE: Ne serrez pas plus car cela augmenterait la pression à plus de 24 bar (350 psi). Cela pourrait abîmer les pièces du lanceur ou provoquer des blessures.

## Dépannage

**PROBLÈME:** Vous avez correctement chargé et perforé une nouvelle cartouche, et enclenché le mode Tir de la détente. Votre lanceur ne tire pas et vous ne parvenez pas à enlever la cartouche de CO2 hors du lanceur.

**SOLUTION:** Enclenchez la sécurité de la détente en mode Sécurité (voir page 3) et insérez le dispositif de blocage du canon (voir page 1). Enlevez le chargeur comme expliqué dans la section Décharger le Chargeur (voir page 7). Suivez les instructions de la section Enlevez la pression d'un lanceur qui ne tire pas en page 17.

**PROBLÈME:** De l'air/CO2 s'échappe par le trou de déchargement du gaz (voir flèche).



**SOLUTION:** La cause la plus fréquente de perte d'air/CO2 est dû à un joint de perforation sale ou abîmé. Vérifiez qu'il n'y ait pas de saleté sur le joint de perforation ou qu'il ne soit pas abîmé (voir Démontage de la valve de perforation en page 15).

**PROBLÈME:** Le chargeur n'alimente pas les billes correctement.

**SOLUTION:** Essayez en utilisant des billes fraîches.

**SOLUTION:** Nettoyez votre lanceur en utilisant un linge humide pour enlever la peinture, la graisse ou des débris. Séchez les ressorts immédiatement, si nécessaire, pour éviter qu'ils ne rouillent.

**SOLUTION:** Assurez-vous que la culasse est dégagée et que les verrous sont installés correctement.

**PROBLÈME:** Vous appuyez sur la détente, mais le lanceur ne se met pas sous pression.

**SOLUTION:** Réglez la vis de réglage du CO2 dans le port de réglage (voir instructions en page 9).

**PROBLÈME:** De l'air/CO2 s'échappe de la connexion du cylindre sur l'adaptateur à distance.

**SOLUTION:** La cause la plus fréquente de fuite est due à un mauvais joint de valve du cylindre d'air/CO2 (voir la section Réparer les Fuites d'air/CO2 du cylindre en page 23).

### Problèmes Après le Montage/Démontage de votre Lanceur

Un montage incorrect peut abîmer des pièces, causer des pertes d'air/CO2, et d'autres problèmes. En remontant/démontant votre lanceur, assurez-vous que toutes les pièces sont propres, lubrifiées, installées correctement et qu'elles ne sont pas abîmées.

**PROBLÈME:** Vous appuyez sur la détente, mais le lanceur ne se met pas sous pression.

**SOLUTION:** Vérifiez que le Bouchon d'axe de perforation (41.9) est installé (voir la section Démontage de la valve de perforation en page 15).

**SOLUTION:** Réglez la distance que la cartouche de CO2 devra parcourir (utilisez une clé hexagonale dans le port de réglage pour allonger ou raccourcir le trajet de la cartouche de CO2, voir page 9).

**PROBLÈME:** Vous installez une cartouche et vous entendez de l'air/CO2 s'échapper.

**SOLUTION:** Vérifiez que les joints de la longue et de la petite unité de gaz ne sont pas abîmés (voir la section Démontage du lanceur en page 12).

**PROBLÈME:** De l'air/CO2 s'échappe en continu du régulateur (page 15).

**SOLUTION:** Réglez la valve de déchargement de pression (voir page 17).

**SOLUTION:** Vérifiez que l'Axe du régulateur (42.9) n'est pas sale ou abîmée, et qu'elle soit bien insérée dans le piston du régulateur (42.12). Nettoyez, inspectez et remplacez si la pièce est abîmée.

**NOTE:** Lors du montage, assurez-vous que la goupille du régulateur soit placée dans le piston du régulateur (voir la section Démontage du régulateur en page 15).

**PROBLÈME:** Lorsque vous tirez sur la détente, celle-ci reste bloquée et ne se débloque pas.

**SOLUTION:** Vérifiez l'alignement de la Goupille du vérin. Démontez la valve de tir et assurez-vous que la goupille est alignée avec le corps de la valve lors du montage (voir la section *Démontage de la valve de tir* en page 14).

**PROBLÈME:** De l'air/CO2 s'échappe du canon.

**SOLUTION:** Vérifiez qu'il n'y ait pas de saleté sur le joint de la Spool valve ou qu'il ne soit pas abîmé (voir *Démontage de la valve d'air* en page 14).

**PROBLÈME:** Lorsque vous tirez sur la détente lentement, un petit bruit de fuite est normal. La fuite persiste sans tirer avec le lanceur.

**SOLUTION:** Vérifiez qu'il n'y ait pas de saleté ni sur le joint de la Spool valve, ni sur le joint du bouchon final de la valve d'air (voir le schéma du *Démontage de la valve d'air* en page 14).

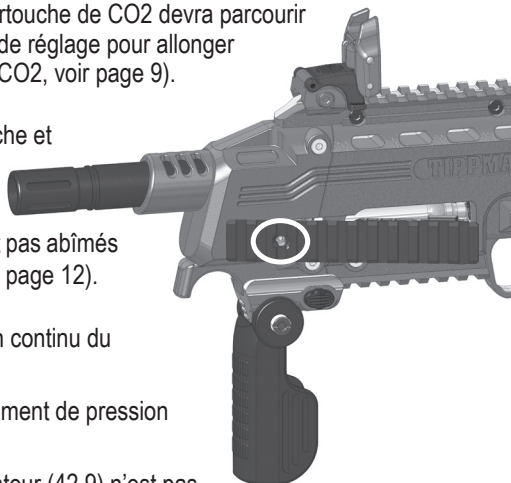
**PROBLÈME:** La détente ne bouge pas du tout quand on tire dessus.

**SOLUTION:** Vérifiez que la sécurité de la détente (48) n'est pas en mode Sécurité. Le joint rouge du côté gauche du lanceur (PUSH SAFE est noté en relief de ce côté), et le joint noir (31) du côté droit du lanceur (PUSH FIRE est noté en relief de ce côté) (voir la section *Démontage du lanceur* en page 12).

**PROBLÈME:** Vous tirez sur la détente, mais aucune bille n'est tirée.

**SOLUTION:** Si la Culasse (54) est coincée en avant, les billes ne chargeront pas. Vérifiez que le verrou des billes n'est pas installé à l'envers (voir la section *Démontage du TCR* en page 12).

**SOLUTION:** Si le Culasse (54) est installé correctement et qu'il ne se remet pas entièrement,

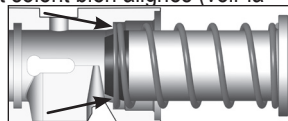


les bille ne seront pas chargées. Vérifiez que l'adaptateur du canon et la valve d'air ne soient pas sales ou abîmés (voir la section *Démontage du TCR* en page 12). Nettoyez et lubrifiez le levier d'armement avant et la valve à air.

**PROBLÈME:** Vous tirez la gâchette mais le lanceur ne se déclenche pas.

**SOLUTION:** Vérifier le Adaptateur du canon et le ressort du bolt soient bien alignés (voir la section *Démontage du TCR* en page 12).

**NOTE:** Si un problème persiste, contactez le Département Technique Tippmann au 1-800-533-4831 ou contactez votre revendeur local de bille.



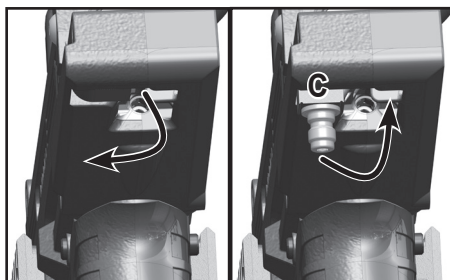
L'adaptateur du fourreau est illustré ici réduit de moitié montrant le ressort correctement assis. Le mauvais alignement du ressort dans le lanceur peut empêcher de tirer.

## Utilisation d'une ligne à distance avec le TCR

(méthode alternative de distribution d'air/CO2)

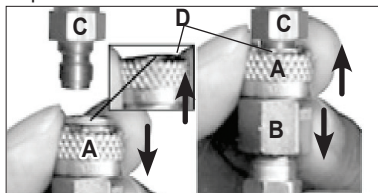
Sur le TCR, la ligne d'adaptateur à distance (C) se trouve à l'arrière du récepteur. Tournez l'adaptateur vers le bas pour utiliser une ligne à distance ou tournez-le vers le haut dans le récepteur lorsque vous n'utilisez pas d'adaptateur. Pour utiliser une ligne à distance avec le TCR, vous devrez laisser une cartouche vide de CO2 dedans (voir page 5 pour les instructions d'installation de la cartouche de CO2).

**NOTE:** Vous trouverez ci-dessous les instructions pour l'installation, la mise en marche et l'arrêt du cylindre d'air/CO2 d'un adaptateur à distance Tippmann H-01. Si votre adaptateur ne correspond pas à ce modèle, suivez les instructions fournies avec votre ligne à distance pour l'installation, la mise en marche et la mise à l'arrêt d'un cylindre d'air/CO2 à distance.



## Raccorder, Débrancher et Enlever un Cylindre d'Air/CO2 à Distance

1. Le port de la protection des yeux conçue pour le bille est obligatoire pour l'utilisateur et toute personne à portée de tir. Enclenchez le mode Sécurité de la détente (voir page 3). Installez le dispositif de blocage du canon (voir page 1). Enlevez et déchargez le chargeur (allez à la page 7 et suivez les instructions de la section Enlever, charger et décharger le chargeur).
2. Tirez et maintenez baissé l'anneau de verrouillage de l'adaptateur à distance (A) pour connecter ou enlever l'embout de l'adaptateur (B). Ne tirez **jamais** sur l'anneau de verrouillage (A) lorsque la ligne à distance est sous pression.
3. Pour connecter au lanceur (sans bouteille attachée à la ligne à distance), maintenez l'anneau de verrouillage baissé (A) et poussez l'embout de l'adaptateur (B) dans le manchon (C). Relâchez l'anneau pour qu'il se verrouille (D). Tirez l'embout (E) de l'adaptateur vers le bas pour vérifier qu'il est bien verrouillé.



4. Avant d'attacher un cylindre d'air/CO2 à l'adaptateur à distance, les lanceurs équipés d'une ligne à distance devront d'abord installer une cartouche de CO2 vide de 12 grammes pour un bon fonctionnement. Coupez la valve (F) du flux de contrôle d'air/CO2 de l'adaptateur à distance en tournant le flux de contrôle (G) vers l'extérieur et

dans le sens inverse des aiguilles d'une montre (voir illustration sur la droite).

5. Installez le cylindre d'air/CO2. Faites d'abord un point de repère sur le cylindre et sur la valve si nécessaire (voir Avertissements et conseils de sécurité concernant un cylindre d'air/CO2 aux page 21). Lubrifiez le joint de la valve du cylindre avec un peu de graisse, ensuite insérez la valve du cylindre dans l'adaptateur de ravitaillement d'air (ARA) de la ligne à distance. Tournez le cylindre dans le sens des aiguilles d'une montre dans l'ARA (H) jusqu'à ce qu'il s'arrête. Votre lanceur est prêt à tirer lorsque vous accomplissez les étapes suivantes:

- tournez le contrôle de flux (G) dans les sens des aiguilles d'une montre en entier.
- enlevez le dispositif de blocage du canon et
- enclenchez le mode Feu de la sécurité de la détente.

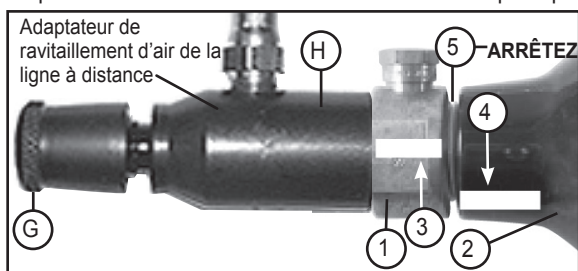
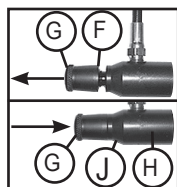
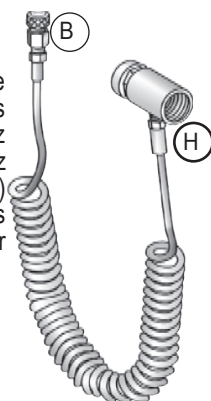
Pour couper l'alimentation en air/CO2, sortez le contrôle de flux (G) en entier vers l'extérieur (F). Pour mettre en marche l'alimentation d'air, poussez le contrôle de flux en entier vers l'intérieur (J).

6. Enlever un cylindre d'air/CO2 - Vous devez d'abord lire les Avertissements et conseils de sécurité sur le cylindre d'air/CO2 aux page 21 avant de commencer la procédure de remontage du cylindre à l'étape 7. Décharger le TCR (page 7).

7. Reportez-vous à l'illustration sur la droite. Lorsque vous tournez le cylindre d'air/CO2 (2) pendant le démontage, vérifiez que la marque (4) sur le cylindre et la marque sur la valve du cylindre coïncident et qu'elles tournent bien ensemble. Si vous remarquez que les marques ne coïncident plus (5), ARRETEZ! et apportez votre TCR chez un professionnel spécialisé et certifié C5.

8. Le dispositif de blocage du canon doit être installé (voir page 1) et la détente doit être en mode Sécurité (voir la flèche à droite ainsi qu'en page 3).

9. Tournez le cylindre d'air/CO2 dans le sens inverse des aiguilles d'une montre pour l'enlever de l'ARA.



## Avertissements Concernant le Cylindre d'Air/CO2

### **⚠ AVERTISSEMENT**

**La valve en cuivre ou en nickel du cylindre (1) doit toujours être attachée au cylindre d'air ou de CO2 (2).**

**Un cylindre d'air ou de CO2 peut s'envoler violemment et causer des blessures graves ou la mort s'il se dévisse de la valve.**

Reportez-vous à l'illustration sur la droite. Des incidents causés par des joueurs qui ont par mégarde dévissé le cylindre (2) de la valve (1) ont été rapportés. Cela se produit, quand le joueur pense qu'il dévisse l'ensemble valve-cylindre de l'adaptateur d'air/CO2 du lanceur, alors

qu'il dévisse en réalité le cylindre de la valve.

Pour éviter ce risque, il est recommandé (si votre cylindre n'est pas encore marqué) d'utiliser de la peinture ou du vernis à ongles, pour tracer une marque (3) sur la valve du cylindre et une autre marque (4) sur le cylindre, comme montré sur le schéma 3.

Lorsque vous tournez le cylindre d'air/CO<sub>2</sub> pendant le démontage, vérifiez que la marque sur le cylindre et la marque sur la valve du cylindre coïncident et qu'elles tournent bien ensemble. Si, à un moment donné, ces marques commencent à se séparer, comme montré sur l'image ci-contre, cela signifie que le cylindre se dévisse de la valve et vous devez **ARRÊTER** et emmener l'unité complète chez un professionnel spécialisé et certifié C5 pour le faire réparer.

NOTE: La valve du cylindre se dévisse du lanceur en 3 ou 4 tours complets. Si, après le 4ème tour complet, la valve n'est pas dévissée du lanceur, **ARRÊTEZ!** Apportez votre lanceur chez un professionnel spécialisé et certifié C5 pour réparation.

Pour trouver un professionnel spécialisé et certifié C5, allez sur le site: [www.bille-pti.com](http://www.bille-pti.com).

Que vous ayez un cylindre d'air/CO<sub>2</sub> neuf ou usé, vous êtes en danger si l'un des points suivant s'est produit:

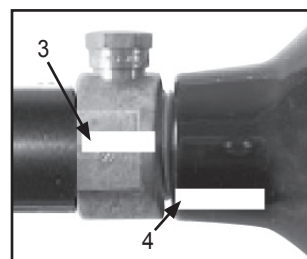
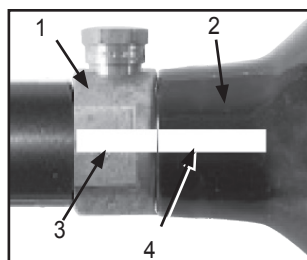
- La valve a été remplacée ou modifiée après l'achat.
- Un équipement anti-siphon a été installé.
- La valve a été retirée du cylindre pour une raison quelconque.
- Une modification a été apportée au cylindre rechargeable d'air/CO<sub>2</sub>.

Si l'une de ces conditions s'est avérée, apportez votre cylindre d'air/CO<sub>2</sub> chez un professionnel spécialisé et certifié C5 pour inspection ou contactez le fabricant de cylindre.

## Conseils de Sécurité Concernant le Cylindre d'Air/CO<sub>2</sub>

CONSEILS DE SECURITE pour vous assurer que vous pouvez jouer avec votre cylindre d'air/CO<sub>2</sub> sans danger:

- Une utilisation impropre, le remplissage, le rangement ou l'élimination d'un cylindre d'air/CO<sub>2</sub> peut mener à des dégâts matériels, des blessures sérieuses ou la mort.
- Assurez-vous que l'entretien ou que toute modification d'un cylindre d'air/CO<sub>2</sub> soit réalisée par un professionnel qualifié tel qu'un spécialiste certifié C5.
- L'installation d'un système anti-siphon est dangereux. Cependant, si vous disposez de ce genre de système sur votre bouteille d'air/CO<sub>2</sub> ou que vous désirez en installer un, il est indispensable de faire vérifier votre bouteille ou l'installation réalisée par un professionnel qualifié.
- Tout cylindre d'air/CO<sub>2</sub> ne doit être rempli que par un professionnel qualifié.
- Les valves de cylindres ne peuvent être installées que par un professionnel qualifié.
- Ne remplissez pas excessivement un cylindre! Ne dépassez jamais la capacité d'air/CO<sub>2</sub> d'un cylindre.
- N'exposez pas un cylindre d'air/CO<sub>2</sub> pressurisé à des températures dépassant les 55°C (130°F).



- N'utilisez pas de nettoyants corrosifs ou de dissolvants sur le cylindre d'air/CO<sub>2</sub> ou sur la valve et ne les mettez pas en contact avec des matériaux corrosifs.
- Ne modifiez en aucune façon le cylindre d'air/CO<sub>2</sub>. N'essayez jamais de démonter la valve du cylindre d'air/CO<sub>2</sub>.
- Tout cylindre d'air/CO<sub>2</sub> ayant été exposé au feu ou chauffé à une température de 121°C (250°F) ou plus doit être détruit par un professionnel qualifié.
- Utilisez le gaz approprié pour votre cylindre. N'utilisez que du CO<sub>2</sub> dans un cylindre de CO<sub>2</sub> et de l'air comprimé dans un cylindre à air comprimé.
- Tenez tous vos cylindres hors de portée des enfants.
- Le cylindre d'air ou de CO<sub>2</sub> doit être inspecté et retesté hydrostatiquement au moins tous les 5 ans par un agent qualifié.
- Protégez les parties de peau exposées des échappements de gaz lorsque vous installez ou retirez la bouteille d'air comprimé ou s'il y a une fuite au niveau du lanceur ou de l'alimentation d'air. L'air comprimé et le CO<sub>2</sub> sont des gaz très froids et peuvent provoquer des gelures dans certaines conditions.

**NOTE:** Pour trouver un professionnel spécialisé et certifié C5, allez sur le site [www.bille-pti.com](http://www.bille-pti.com).

## Réparer les Fuites du Cylindre d'Air/CO<sub>2</sub>

La cause la plus fréquente de fuite est due à un mauvais joint de valve du cylindre d'air/CO<sub>2</sub>. Pour remplacer le joint de valve, vous devez d'abord retirer le joint défectueux et en installer un neuf. Le joint se trouve à l'extrémité de la valve d'air/CO<sub>2</sub>. Les meilleurs joints de valve sont en uréthane. Les joints en uréthane ne sont pas abîmés par la forte pression d'air/CO<sub>2</sub>. Vous pouvez vous en procurer chez Tippmann ou chez votre fournisseur de bille local.

**NOTE:** Si, malgré l'installation d'un nouveau joint de valve, la fuite persiste, n'essayez pas de réparer le cylindre d'air/CO<sub>2</sub>. Contactez Tippmann Sports, LLC, votre revendeur local de bille, ou un professionnel spécialisé et certifié C5.

## Rangement

Avant le rangement de votre lanceur, suivez les instructions Enlever, monter et démonter un chargeur en page 6 et Enlever une cartouche de CO<sub>2</sub> en page 8 (page 20 pour les lanceurs équipés d'un adaptateur à distance). Ne rangez pas un lanceur avec l'une des pièces suivantes installées:

- une cartouche d'air/CO<sub>2</sub> de 12 gr (perforée ou non perforée)
- un cylindre d'air/CO<sub>2</sub>
- Un chargeur

Rangez le chargeur vide, avec le poussoir de billes tout en haut.

Enclenchez la sécurité de la détente en mode Sécurité (voir page 3) et insérez le dispositif de blocage du canon (voir page 1). Rangez votre lanceur dans un endroit sec. Avant de ranger votre lanceur, assurez-vous qu'il est propre et lubrifié pour qu'il ne rouille pas (voir Nettoyage et entretien en page 10).

Lorsque vous reprenez votre lanceur, assurez-vous toujours que la sécurité de la détente est activée (voir page 3) et que le dispositif de blocage du canon est correctement installé (voir page 1).

## Spécificités

Modèle.....	TIPPMANN® TCR®
Calibre .....	.68
Action.....	Semi-Automatique (Open Bolt Blow Forward)
Alimentation/propulseur.....	air comprimé, azote, ou CO2
Cartouches .....	12 gram CO2
Tirs par cartouches de 12 gr de CO2 .....	approximativement 24
Alimentation en billes.....	TCR® Magasin - conducteur de ressort
Capacité du chargeur (long).....	12 billes de peinture
Capacité du chargeur (court).....	7 billes de peinture
Rythme de cycle.....	1 tir sur la détente = 1 tir (6 par seconde)
Longueur du canon standard .....	11" / 28 cm
Longueur (avec canon standard avec Stock rétractée).....	21" / 53 cm
Longueur (avec canon standard avec Stock déployée) .....	24" / 61 cm
Poids (sans cartouche de 12 gr de CO2 ou bille).....	4.5 lbs. / 2 kg
Portée .....	150+ ft. / 46+ m
Vitesse.....	Réglable

Mesurez toujours la vitesse de votre lanceur avant de jouer au bille et ne tirez jamais à des vitesses supérieures à 300 pieds par seconde (91,44 m/s) (voir section Réglage de la vitesse en page 8).

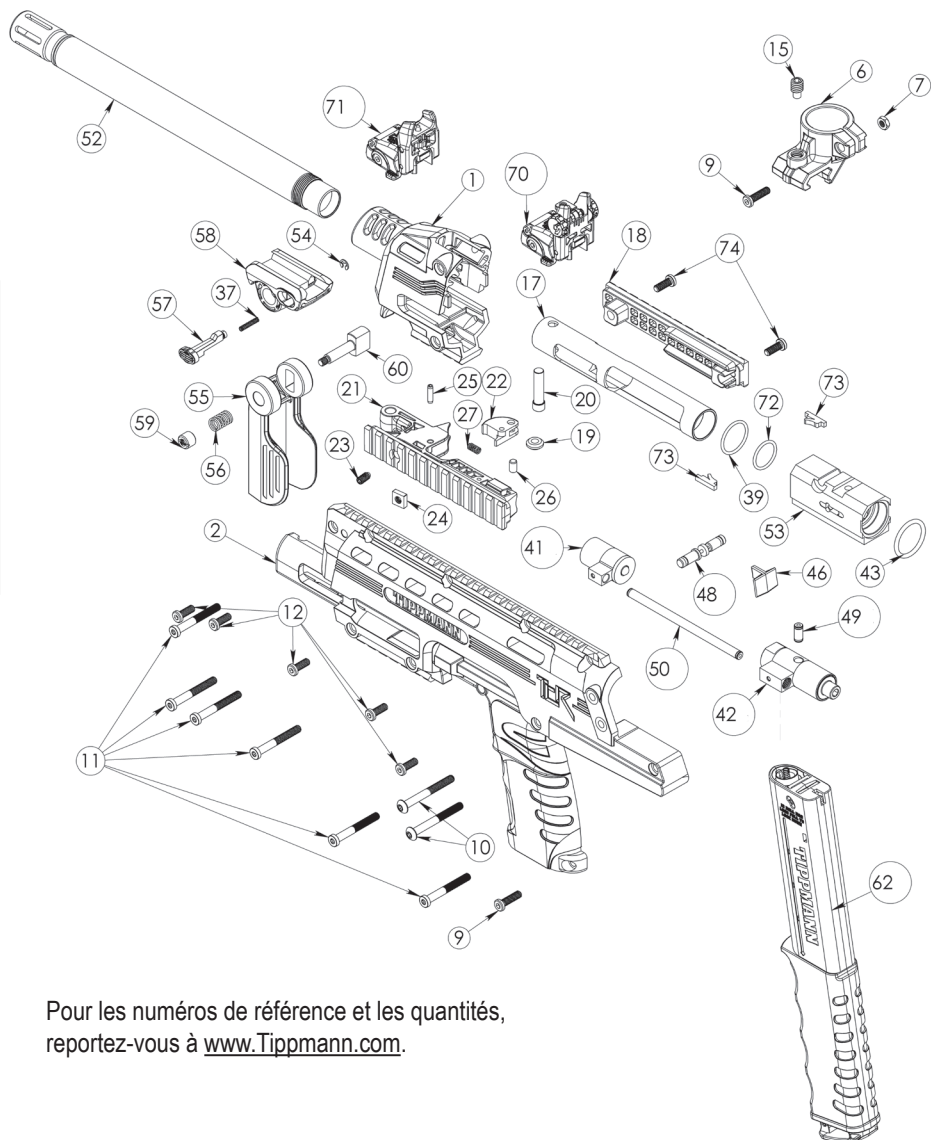


• **NOTES • NOTAS •**



par **TIPMANN®**

## Diagramme de Pièces



Pour les numéros de référence et les quantités, reportez-vous à [www.Tippmann.com](http://www.Tippmann.com).

FRANÇAIS



**TCR Marker Parts List**

ITEM NO.	DESCRIPTION
1	Moitié avant du receveur
2	Moitié gauche du receveur
3	Moitié droit du receveur
4	Dispositif de réglage récepteur Insérer
5	Bouchon, Goulot d'Alimentation du réservoir
6	Tube d'alimentation
7	Écrou, Hex #10-32 X 5/16
8	Pin du Axe Pivot de détente
9	Vis, LSHSCS 10-32 X 0.675"
10	Vis, 10-32 X 1.75
11	Vis, 10-32 X 1.5 LSHSCS
12	Vis, #10-32 X 0.500"
13	Pin
14	Vis à tête plate, 10-32 X 1.8
15	Set de vis 5/16 - 18
17	Galet de came du carter
18	rail de Picatinny, CO2 Non Exit
19	Galet de came
20	Axe à épaulement 1" X .250
21	rail de Picatinny, CO2 Exit
22	Support de galet de came
23	Chien Point vis de réglage, 10-32 UNF 1/2
24	Écrou, carré- noire#10-32
25	Pin du Ressort .125 Dia X .5
26	Pin .1875 Dia X .3125
27	Ressort, 0.385" F.L. X 0.175" O.D.
28	plastique l'écrou
29	Stock réductible axe de verrouillage
30	Joue reste, réglable
31	Tube du Stock
32	Stock rétractable
33	Chargeur de Rechange
34	Clip Magazine d'ancrage
35	Bouton de déverrouillage, Stock rétractable
36	Ressort, 0.600"FI X 0.172"O.D.
37	Ressort, 0.625"FI X 0.119"Od
38	Déverrouillage du chargeur
39	Joint
40	Ressort, 2.70" F.L. X 0.834" O.D.

**TCR Marker Parts List**

ITEM NO.	DESCRIPTION
41	Ensemble de la Valve de perforation
41.1	Corps de valve de perforation
41.2	Piston de perforation
41.3	1/2" Circlip de fermeture
41.4	12 Gram Joint de perforation
41.5	Ressort, 0.500" F.L. X 0.469" O.D.
41.6	Joint
41.7	Pointe de perforation
41.8	Rondelle
41.9	Bouchon d'axe de perforation
41.10	Ressort, 0.385" F.L. X 0.175" O.D.
41.11	Roulement à billes Bouchon, 7/64"
42	Ensemble du régulateur
42.1	Régulateur
42.2	Bouchon de réglage du régulateur
42.3	Ressort, 0.600" F.L. X 0.161" O.D.
42.4	Ressort, 0.500" F.L. X 0.198" O.D.
42.5	Intra-vis de réglage du régulateur
42.6	Ressort, 0.600" F.L. X 0.526" O.D.
42.7	Set de vis, Hollow Lock
42.8	Siège du Axe du régulateur
42.9	Axe du régulateur
42.10	Wear Disk
42.11	Bouchon du régulateur
42.12	Piston du régulateur
42.13	Roulement à billes Bouchon, 7/64"
43	Joint
44	Culasse avant TCR
44.1	Culasse avant Insérez
44.2	Corps du Culasse avant
44.3	Joint
45	Tige de détente
46	Déclencheur du chargeur
47	Ensemble de la valve d'air
47.1	Corps de Valve
47.2	Power Tube
47.3	Joint
47.4	Joint
47.5	Ressort

<b>TCR Marker Parts List</b>	
<b>ITEM NO.</b>	<b>DESCRIPTION</b>
47.6	Ensemble de la Valve de Commande
47.6.1	Corps de la valve de commande
47.6.2	Joint
47.6.3	Commande de tir
47.6.4	Guider du Commande de tir
47.6.5	Bague du Commande de tir
47.7	Bouchon final de la valve d'air
47.8	Joint de l'amortisseur
47.9	Circlip 15/16"
47.10	Joint
47.11	Spool Valve
47.12	Vis, SHCS #4-40 X 9/32"
47.13	Joint
47.14	Couvercle du Culasse amortisseur
48	Ensemble du Sécurité
48.1	Pin du Sécurité
48.2	Joint
48.3	Joint
49	Ensemble du Petite ligne de gaz
49.1	Petite ligne de gaz
49.2	Joint, 0.150" I.D. X 0.037" C.S.
50	Ensemble du Grande ligne de gaz
50.1	Grande ligne de gaz
50.2	Joint, 0.150" I.D. X 0.037" C.S.
51	Détente
52	Canon du TCR, 11"L, 7/8-20 filetage
53	Adaptateur du canon, Forme D
54	Joint d'arrêt, Forme E 5/32"
55	Le Vertical Poignée Repliable
56	Ressort, 0.741"F.L. X 0.352" O.D.
57	obstacle mécanique, Vertical Poignée
58	Base, Vertical Poignée
59	Écrou
60	Vis, Forme T

<b>TCR Marker Parts List</b>	
<b>ITEM NO.</b>	<b>DESCRIPTION</b>
61	Chargeur à alimentation 7 billes
61.1	Coque droite
61.2	Coque gauche
61.3	Vis, #4 X 5/8" noir
61.4	Déclencheur de la bobine du chargeur
61.5	Ressort du levier de déverrouillage
61.6	Verrou du chargeur
61.7	Ressort, 0.600"FI X 0.172"O.D.
61.8	Ressort, 6.125" F.L., 0.594" O.D.
61.9	Levier de déverrouillage du poussoir
61.10	Ensemble de le Poussoir
61.10.1	le Poussoir
61.10.2	Insérez du le Poussoir
61.10.3	Ressort, 1.00" F.L. X 0.156" O.D.
62	Chargeur à alimentation étendu 12 billes
62.1	Coque gauche Chargeur étendu
62.2	Coque droite Chargeur étendu
62.3	Verrou du chargeur
62.4	Déclencheur de la bobine du chargeur
62.5	Ressort 10.304"F.L.X0.594"O.D.
62.6	Ressort, 0.600"FI X 0.172"O.D.
62.7	Ressort
62.8	Levier de déverrouillage du poussoir
62.9	Vis, #4 X 5/8" noir
62.10	Ensemble de le Poussoir, Chargeur étendu
63	1/8" port de remplissage
64	Base, port de remplissage
65	Clapet antiretour, port de remplissage
66	Joint
67	Joint
68	Extension, port de remplissage
69	Joint
70	Viseur arrière
71	Viseur avant
72	Joint
73	Ball détente (TCR)

## Informations concernant la garantie et la réparation

TIPPMANN SPORTS, LLC (“Tippmann”) fournit des produits de paintball de grande qualité et un service exceptionnel. Dans le cas peu probable d’un problème avec cette réplique Tippmann et/ou un accessoire Tippmann (“accessoires”), le service clientèle de Tippmann est à votre disposition pour vous aider. Pour le service clientèle ou toute autre information, veuillez contacter:

**Tippmann Sports, LLC**  
2955 Adams Center Road  
Fort Wayne, IN 46803  
www.Tippmann.com  
1-800-533-4831

**Tippmann Sports Europe, SPRL**  
Rue du Mont D’Orcq 16  
Z.I. Tournai Ouest, 7503 Froyennes, Belgium  
www.Tippmann.com  
Telephone +32 (0) 69 549 578

### Enregistrement de la garantie

Pour activer la garantie limitée de la réplique, vous devez l’enregistrer dans les 30 jours après la date d’achat originale en procédant comme suit:

1. Enregistrez-vous en ligne sur [www.Tippmann.com](http://www.Tippmann.com) ou
2. Complétez le document d’enregistrement de garantie ci-joint et renvoyez-le à l’adresse Tippmann ci-dessus.

Vous ne devez pas activer ou enregistrer la garantie limitée des accessoires Tippmann. En enregistrant votre réplique, vous activerez la garantie des accessoires.

### Garantie limitée

Tippmann garantit à l’acheteur original qu’il procédera à toute réparation ou remplacement nécessaire pour corriger des défauts de pièces ou de fabrication sur la réplique sans aucun frais, et ce pendant une période de 2 ans à partir de la date originale d’achat. De plus, Tippmann garantit à l’acheteur original qu’il procédera à toute réparation ou remplacement nécessaire pour corriger des défauts de pièces ou de fabrication sur les accessoires sans aucun frais, et ce pendant une période de 90 jours à partir de la date originale d’achat. Tout ce que Tippmann demande est que votre réplique ainsi que ses accessoires (collectivement le “produit”) soient soigneusement entretenus et réparés, et que vos réparations sous garantie soient effectuées par Tippmann ou un service technique certifié Tippmann.

Cette garantie limitée n’est pas transférable, et elle ne couvre pas les dégâts ou défauts du produit causés par (a) un entretien impropre; (b) une altération ou une modification; (c) une réparation non autorisée; (d) un accident; (e) un abus, ou un usage impropre; (f) un oubli ou une négligence; et/ou (g) une usure normale.

Tippmann n’autorise personne ni aucun revendeur à assumer ou accorder une autre obligation de garantie lors de la vente de ce produit.

CETTE GARANTIE EXPRESSE EST LA SEULE GARANTIE ACCORDEE A L’ACHAT DE CE PRODUIT; TOUTES AUTRES GARANTIES EXPRESSES SERONT REJETEES; LES GARANTIES TACITES DE QUALITE MARCHANDE ET DE COMPATIBILITE AYANT UN BUT PARTICULIER, SONT LIMITEES A LA PERIODE DE GARANTIE LIMITEE APPLICABLE

CONTENUE DANS LA PRESENTE, ET AUCUNE GARANTIE, QU'ELLE SOIT EXPRESSE OU TACITE, NE SERA APPLIQUEE APRES EXPIRATION DE CETTE PERIODE.

Certains États ou Pays n'autorisent pas les limites de durée de garantie tacite. Les limites exprimées ci-dessus pourraient donc ne pas être d'application pour vous.

La seule et unique responsabilité de Tippmann et/ou de ses revendeurs autorisés sous cette garantie limitée, concerne le remplacement ou la réparation de toutes pièces ou assemblage sur lesquels un défaut de pièce ou de fabrication a été décelé. TIPPMANN NE SERA PAS TENU RESPONSABLE, ET VOUS RENONCEZ EXPRESSEMENT A LE TENIR POUR RESPONSABLE EN CAS DE DEGATS DIRECTS, INDIRECTS, CONSEQUENTS OU SECONDAIRES ("DEGATS") PROVOQUES PAR LA VENTE, L'UTILISATION OU VOTRE INCAPACITE A UTILISER CE PRODUIT. AUCUN PAIEMENT NI AUTRE FORME DE COMPENSATION NE SERA FAIT POUR DES DEGATS COMPRENANT DES BLESSURES A DES PERSONNES OU DES BIENS, OU LA PERTE DE REVENUS QUI POURRAIENT ETRE PAYES, ENCOURRUS OU SOUTENUS PAR LA DEFECTUOSITE DE TOUTE PIECE OU ASSEMBLAGE DE CE PRODUIT.

Certains États ou Pays n'autorisent pas les exclusions ou limites de dégâts secondaires ou conséquents. Les limites exprimées ci-dessus pourraient donc ne pas être d'application pour vous. Cette garantie vous donne certains droits spécifiques légaux, auxquels pourraient s'ajouter d'autres droits pouvant varier d'après les États et les Nations.

## Réparations sous garantie et hors garantie

Lors de l'envoi du produit à Tippmann pour une réparation sous garantie ou hors garantie:

1. Si des pièces d'après-vente sont installées sur votre réplique, veuillez l'essayer avec les pièces d'origine avant de le renvoyer pour entretien ou réparation.
2. Déchargez (page 7) et enlevez toujours l'alimentation d'air/CO2 de votre lanceur. N'envoyez pas votre bouteille d'alimentation en air/CO2 si elle n'est pas complètement vide.
3. Envoyez le produit à l'adresse Tippmann mentionnée ci-dessus.
4. Vous devez payer l'envoi et les frais de livraison.
5. Mentionnez la date d'achat du produit.
6. Décrivez brièvement la réparation requise.
7. Incluez votre nom, adresse de retour et un n° de téléphone auquel il est possible de vous joindre pendant les heures normales de travail, si possible.

Tippmann fera tout son possible pour terminer la réparation dans les 24 heures après réception. Tippmann vous renverra le produit par livraison UPS normale. Si vous désirez que le produit vous soit renvoyé par un service plus rapide, vous pouvez demander un 24H CHRONO UPS OU UN 48H CHRONO UPS, mais dans ce cas, les frais relatifs à ce service vous seront facturés et vous devrez inclure votre n° de carte de crédit ainsi que sa date d'expiration. Votre carte de crédit sera débitée du montant de la différence entre le service normal de livraison et la livraison express.

• *NOTES* • *NOTAS* •



## Tippmann Sports, LLC

2955 Adams Center Road, Fort Wayne, IN 46803 USA  
P) 260-749-6022 • F) 260-749-6619 • [www.Tippmann.com](http://www.Tippmann.com)

## Tippmann Sports Europe, SPRL

Rue du Mont D'Orcq 16, Z.I. Tournai Ouest, 7503 Froyennes, Belgium  
Telephone +32 (0) 69 549 578 • [europeservice@tippmann.com](mailto:europeservice@tippmann.com) • [www.Tippmann.com](http://www.Tippmann.com)

### **ADVERTENCIA**

**Esto no es un juguete. Un uso inapropiado puede causar serias heridas o la muerte. Ojos, cara y oídos deben ser protegidos todo el tiempo, con la protección diseñada para paintball tanto por jugadores como por cualquier persona que este en el radio de alcance. Recomendamos al menos 18 años para la compra y uso. Las personas menores de 18 años deben usar este producto bajo la supervisión de un adulto. Lea el Manual del Usuario antes de usar este producto.**

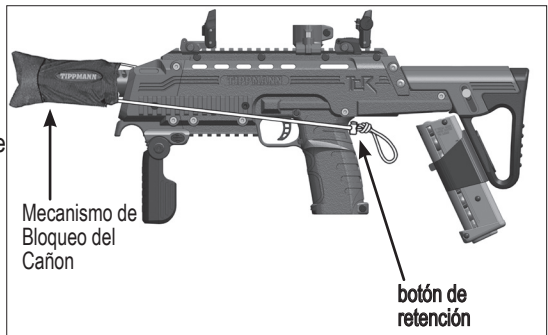
### **ADVERTENCIA**

**Mantenga el mecanismo de bloqueo del Cañon instalado excepto cuando su marcador este en uso, siempre asegúrese de que el botón de seguridad del gatillo, se encuentre en posición (Push Safe) de seguridad (ver instrucciones página 3), y que el mecanismo de bloqueo del Cañon este instalado adecuadamente en el Cañon del marcador, de acuerdo con las instrucciones para prevenir daños materiales a propiedad, lesiones graves o la muerte.**

## Instrucciones de Instalación del Mecanismo de Bloqueo del Cañon

1. Coloque el mecanismo de bloque del Cañon dentro del Cañon y haga una honda por debajo del mango con el cable elástico y colóquelo en la parte posterior del mango como se observa.

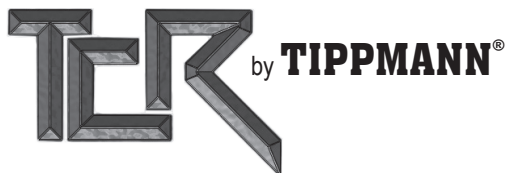
2. Empuje el botón de retención del cable elástico hasta que este presione la parte posterior del mango. Libere el botón retenedor. Manteniendo el cable lo más apretado posible, deje la elasticidad suficiente que le permita halar el cable elástico y remueva el Mecanismo de Bloqueo del Cañon para hacer disparos.



3. Para remover el mecanismo de bloqueo del Cañon, presione la pieza central del retenedor de cuerda y deslícelo hacia el extremo de la cuerda.

4. Antes y después de jugar, examine el mecanismo de bloqueo de Cañon y reemplácelo si se encuentra dañado o el cordel ha perdido su elasticidad.

5. Limpie el mecanismo de bloqueo del Cañon con agua tibia y guárdelo fuera de la luz del sol y en un área seca cuando no está en uso.



FELICITACIONES por su compra del marcador paintball Tactical Compact Rifle (TCR). Creemos que nuestros marcadores TCR son los más exactos, durables y orgullosamente fabricado en los Estados Unidos. Toda nuestra línea de marcadores TCR le darán muchos años de servicio si es utilizado apropiadamente.

Antes de cargar o disparar este marcador por favor tome tiempo para leer completamente este manual y empezar a familiarizarse con las partes, operación y todas las precauciones de seguridad del marcador Tippmann TCR. Si alguna de sus partes no se encuentra, o esta defectuosa y necesita asistencia, por favor comuníquese con el departamento de Servicio al Cliente de Tippmann al teléfono 1-800-533-4831 en donde le daremos un servicio oportuno y amable.

## TABLE OF CONTENTS

Instrucciones de Instalación del Mecanismo de Bloqueo del Cañon .....	1
Advertencia/Declaracion de Responsabilidad .....	3
Inicio preparación .....	5
1. Instalación del Cartucho de suministro de Aire .....	5
2. Remover el Magazine, Carga e Insercion .....	6
3. Hacer disparos con su Marcador .....	7
4. Descarga del Magazine .....	7
5. Vistas plegable .....	7
6. Mango plegable Vertical .....	8
7. Codo de Alimentación (opcional) .....	8
Ajuste de la Velocidad .....	8
Remoción del Cartucho de CO2 .....	8
Descarga de cartucho de aire SIN PERFORACION (no usado) .....	9
Descarga de cartucho de aire PERFORADO (usado) .....	9
Ajuste del TCR para Cartuchos de CO2 .....	9
Limpieza y Mantenimiento .....	9
Desensamble / Re ensamble y Examen del Magazine .....	10
Desensamble del Magazine .....	10
Reensamble del Magazine .....	11
Verificar el Magazine .....	12
Desensamble/Ensamble del TCR .....	12
Desensamble/Ensamble Valvula de Disparo .....	14
Desensamble/Ensamble Valvula de Aire .....	14
Desensamable/ Ensamble de la valvula Perforadora .....	15
Desensamble / Ensamble del Regulador .....	16
Adaptador de Línea Remota .....	16
Instalación de Ensamble Codo de Alimentación .....	16
Libere la Presion del Marcador que no sera usado .....	17
Ajuste de la Válvula Reguladora de Presión .....	18
Solucion a Problemas .....	18
Use la Línea Remota con el TCR .....	21
Conexión, desconexión y Remoción del Cilindro de Air/CO2 Remota .....	21
Advertencias Cilindro de Aire/CO2 .....	22
Consejos de Seguridad con el Suministro de Aire .....	23
Reparación de Fugas de Aire en el Cylindro .....	24
Almacenaje .....	24
Especificaciones .....	25
TCR Parts Diagram .....	26
Partes de Marcador TCR .....	28
Información de Garantía y Reparación .....	30

## Advertencia/Declaracion de Responsabilidad

Este marcador esta clasificado como un arma peligrosa y esta entregada por Tippmann Sports, LLC con el entendimiento de que el comprador asume toda responsabilidad como resultado de un uso inseguro o acciones que constituyan una violacion a cualquier regulaci3n o leyes aplicables. Por lo tanto Tippmann Sports, LLC no podra ser responsable de lesiones personales, perdidas en propiedad o la vida como resultado del uso de esta arma bajo cualquier circunstancia, incluyendo descargas intencionales, accidentales, negligencias e imprudentes.

Toda la informacion contenida en este manual esta sujeta a cambios sin previo aviso. Tippmann Sports, LLC se reserva el derecho de hacer cambios y mejoras a productos sin incurrir en obligacion de incorporar dichas mejoras en productos previamente vendidos. Si usted como usuario no acepta su responsabilidad, Tippmann Sports, LLC le pide que no use un marcador Tippmann Sports, LLC. Al usar este marcador de paintball usted libera a Tippmann Sports, LLC de cualquier y toda responsabilidad asociada con su uso.

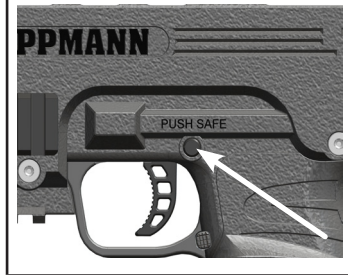
## La Seguridad es Su Responsabilidad

### **ADVERTENCIA**

**Excepto cuando su marcador este en uso, siempre asegúrese que el seguro del gatillo este en posición de seguro, desactivando el gatillo, y que el mecanismo de bloqueo del cañon este instalada - ver página 1).**

**Para activar la posición de seguridad (PUSH SAFE), haga presión en el seguro como se ve.**

**Para desactivar la posición de seguro (listo para disparar)(PUSH FIRE), haga presión en el mismo botón del otro lado.**



El propietario de esta arma asume la total responsabilidad por su seguridad y el uso legal. Usted debe observar y tener las mismas precauciones de seguridad que tendría con un arma de fuego, asegurándose no solo por su seguridad sino por cualquiera alrededor de usted. Aqui encontrara algunas de las precauciones que debe tener en cuenta. El usuario debe ser cauteloso en todo momento cuando este usando este marcador y tenga siempre presente que el deporte de Paintball solo puede sobrevivir y crecer si este se mantiene SEGURO !.

- No cargue o dispare este marcador hasta que usted haya leído completamente este manual y este familiarizado con su manejo seguro, operación mecánica y características de manejo.
- Maneje este o cualquier otro marcador como si estuviera cargado todo el tiempo.
- Mantenga su dedo lejos del gatillo hasta que este listo para disparar.
- Nunca mire dentro del Cañon del marcador. Una descarga accidental en un ojo, le puede causar una lesión permanente o la muerte.
- Mantenga seguro del gatillo en posición de Seguro (Safe Mode), hasta cuando este listo para disparar (ver Advertencia página 3).
- Mantenga el Cañon conectado el mecanismo de bloqueo del Cañon cuando no esta en uso.(ver página 1)

- Nunca apunte el marcador, si no tiene intenciones de disparar.
- Nunca dispare su marcador a cualquier objeto que no tenga la intención de disparar; porque pueden haber bolas o residuos almacenados en la cámara, Cañon y o en la válvula de el marcador.
- No dispare a objetos frágiles como ventanas.
- Nunca dispare su marcador a propiedad privada de otros. Impactos con bolas de pintura pueden causar daños y la pintura puede manchar automóviles, casas, etc.
- Siempre tenga el protector apuntando hacia abajo, o en una dirección segura, aún cuando usted tropieze o caiga.
- La protección de ojos, cara y orejas diseñadas específicamente, para detener las bolas de pintura en la forma de gafas y máscara, deben cumplir con las especificaciones F 1776 de la ASTM, la cual determina que debe ser utilizada por el usuario o cualquier otra persona que este dentro del radio de alcance.
- Nunca dispare a una persona que no tenga la protección de ojos, cara y orejas diseñadas para paintball.
- Presurice y cargue el marcador, solo cuando el marcador vaya a ser inmediatamente utilizado.
- Almacene el marcador descargado y desgasificado en un lugar seguro.  
NOTA: Antes de guardar o desensamblar, asegúrese de remover las bolas de pintura y el suministro de aire. Siga las instrucciones en la página 8 para desarmar y retirar la fuente de aire. Coloque el seguro del gatillo en posición de Seguro (ver página 3) y instale el mecanismo de bloqueo del Cañon (ver página 1).
- No desensamble el marcador mientras este presurizado.
- Vístase apropiadamente cuando juegue paintball. Evite exponer cualquier parte de la piel cuando juegue paintball. Aún algo delgado, absorberá parte del impacto y lo protegerá de las bolas de pintura.
- Mantenga las áreas de piel expuesta, alejadas en caso de algún escape de gas cuando instale o remueva el cilindro de suministro de aire. El aire comprimido y CO2 son gases muy frios y pueden causar quemaduras bajo ciertas condiciones.
- Solamente use paintballs de calibre .68. Nunca cargue o dispare a objetos extraños.
- Evite bebidas alcohólicas antes y durante el uso de este marcador. El manejo irresponsable del marcador bajo la influencia de drogas o alcohol, es una despreocupación criminal a la seguridad pública.
- Evite disparar a sus oponentes a punto vacio (6 pies o menos).
- Para el manejo y almacenamiento sobre el cilindro de suministro de aire o adaptador, siga las instrucciones. Si tiene alguna pregunta puede contactar al fabricante de los cilindros de aire.
- Siempre mida la velocidad de su marcador antes de jugar paintball y nunca dispare con velocidades que sobrepasen los (300 pies) 92 metros/seg. (ver instrucciones página 8).
- No exhiba o presente este producto en lugares públicos en los cuales pueda causar confusión y pueda ser considerado como un crimen. La policía u otras personas pueden confundir este producto con un arma de fuego real. La alteración en los colores para hacer que este producto se vea como un arma de fuego es muy peligroso y puede ser considerado como un crimen de acuerdo a las leyes federales y la del estado.

## Inicio preparación

- La protección de ojos diseñada específicamente, debe ser utilizada por el usuario o cualquier otra persona que este dentro del radio de alcance.
- No desensamble el marcador mientras este presurizado con aire.
- Nunca presurice un marcador que este parcialmente ensamblado.
- Lea completamente cada uno de estos pasos antes de intentar usarlo.

**NOTA:** Inicie el ensamble de las partes con su mano y no apriete demasiado para evitar el posible alteración de las roscas de las partes. Use como referencia el diagrama de partes en las páginas 26-27 en este manual de instrucciones ( los números de las partes están entre paréntesis ).

### **ADVERTENCIA**

**Mantenga toda piel expuesta alejada de algún escape de gas (las flechas) mientras se instala o remueve la fuente de aire, cartuchos o si el marcador o el suministro de aire tenga un escape. Aire comprimido, CO2 y gases como nitrógeno son frios y puedes producir quemaduras bajo ciertas condiones. Los protectores para ojos diseñados para paintball deben ser usados por los jugadores y cualquier persona que este en el rango de alcance.**



### 1. Instalación del Cartucho de suministro de Aire

Si su marcador tiene la opción del adaptador de línea remota - siga las instrucciones de la página 21 y luego pase al paso 2. No desensamble este marcador mientras este presurizado. No presurice un marcador parcialmente ensamblado. Siga las instrucciones de la página 21, luego pase al paso 2 de la página 6.

- a. Coloque el seguro del gatillo en posición de Seguro (PUSH SAFE) ver página 3 Instale el mecanismo de bloqueo del Cañon (ver página 1).
- b. Abra la porción izquierda del Riel Picatinny como se muestra.
- c. Si es aplicable, golpee el extremo del cañon del Cañon hacia abajo para permitir que el cartucho de CO2 existente desaloje la entrada.
- d. Si es aplicable, incline el marcador hacia la izquierda y levante el cañon hacia arriba. El cartucho del CO2 existente saldrá del marcador.
- e. Limpie el extreme pequeño del cilindro de 12 gramos de CO2 cargado. Golpee el cañon hacia abajo e inserte un cartucho nuevo dentro del marcador orientado como lo muestra la flecha de la derecha.
- f. Cierre el lado izquierdo del Riel Picatinny en el marcador.



**NOTA:** El cartucho no debe ser perforado durante la instalación. Una vez que hace el cambio de función de seguridad a función de disparo, al hacer presión sobre el gatillo hará una perforación en el cartucho y usted escuchara que el suministro de aire se incia. (no habrá disparo).

**IMPORTANTE:** Si su marcador presenta una fuga de aire, mantenga la piel expuesta alejada del escape de gas (las flechas en la ilustración de ADVERTENCIA en la página 5 muestran los puntos de escape de gas) y siga las instrucciones de carga y remoción del cartucho de CO2 en la página 8 (en la página 21 para los marcadores con adaptador de línea remota) y vea la página 18 solución a problemas.

Si usted desea mover la tapa de acceso al otro lado del marcador, siga las instrucciones del paso 5 en la página 12 en TCR Desensamble/Ensamble.

## 2. Remover el Magazine, Carga e Inserción

El mecanismo de bloqueo del Cañon debe estar instalado (ver página 1) y la función de seguridad también (ver la flecha de la derecha y la página 3 también) antes de remover o insertar el magazine).

Se ha entregado un Magazine de siete bolas y un Magazine de doce bolas. El magazine extendido de 12 bolas tiene la capacidad de sostener una Primera ronda de Disparos así como el uso de bolas de paintball calibre .68. Si usted toma la decisión de usar bolas de Primera Ronda, lea y asimile las Precauciones que están abajo. El magazine de 7 bolas solo podrá sostener bolas de paintball regulares calibre .68.

- Para remover el magazine, haga presión en el botón de liberación del este y el magazine será expulsado desde el fondo del mango.
- Para el magazine de 7 bolas, use las aletas que están a los lados del Cargador de Bolas y hale para abajo hasta que este quede seguro en su lugar en el fondo del Magazine. Cargue 12 bolas de paintball dentro del magazine para 12 bolas y asegúrelo en el fondo del cargador de bolas.
- Mantenga el Magazine vertical como se muestra, e inserte una a una las bolas de paintball dentro del Magazine hasta que esté lleno. Las bolas de Paintball dentro del Magazine no está bajo presión hasta que el Magazine es insertado dentro del marcador.
- Para insertar un Magazine cargado dentro del marcador, deslice el Magazine dentro del mango hasta que usted escuche que ha quedado asegurado en su lugar.



## ADVERTENCIA

Este marcador de Paintball no es un juguete. El uso inapropiado de este puede causar lesiones graves o inclusive la muerte. Si usted usa bolas para paintball First Strike, o otro tipo no esférico o con otra forma, usted debe tener extremo cuidado. Las bolas de paintball "First Strike" viajan a una distancia mayor comparadas con bolas de paintball estándar. La protección diseñada para ojos, cara y oídos deben ser usados por el usuario y cualquier persona que se encuentre en el radio de juego. Algunos campos de juego podrían no permitir el uso de bolas de paintball "First Strike". Los marcadores deben ser calibrados con un cronógrafo para asegurarse de que no excedan los 300 pps y/o cualquier velocidad establecida para el campo de juego. Lea el manual del usuario antes de usar este producto. Este marcador ha sido fabricado para cumplir o exceder los requerimientos de la ASTM en su norma F2272. Las bolas de paintball First Strike y otra tipo no esférica o con otras formas, podrían no seguir las normas establecidas por la ASTM norma F1979.

### 3. Hacer disparos con su Marcador

Protección de los ojos diseñado para paintball uso debe ser usado por el usuario y cualquier persona dentro del radio de alcance. Apunte el marcador en una dirección segura. Remover el mecanismo de bloqueo del Cañon del marcador. Mover el botón de seguridad en el gatillo Seguro a disparo. Haga presión sobre el Gatillo para disparar el marcador. Cada vez que presiona el gatillo habrá una descarga de una bola de pintura.

NOTA: Si su marcador no dispara después de que usted lo ha cargado y usted ha perforado su cartucho de CO2, coloque el gatillo en posición de seguro (ver la página 3), instale el mecanismo de bloqueo del Cañon (página 1), y vea la página 18 *Solución a Problemas*.

### 4. Descarga del Magazine

- Protección de los ojos diseñado para paintball uso debe ser usado por el usuario y cualquier persona dentro del rango.
- Remueva el Magazine cargado del marcador TiPX. Cuando remueva el Magazine dos bolas de pintura pueden quedar sueltas en el mango. Inspeccione la cámara del puente para ver si quedan bolas de pintura. La ventana del Puente (16) en la parte superior del recibidor le permite revisar si quedan bolas de pintura en la cámara. Apunte su marcador en una dirección segura (disparo seco) y apriete el gatillo para desocupar el marcador de bolas de pintura. Ponga el gatillo en posición de seguro (ver página 3) e instale el mecanismo de bloqueo del Cañon (ver página 1).
- Si desea, usted puede recargar las bolas que han quedado sueltas dentro del Magazine.
- Para remover todas las bolas de paintball del Magazine, haga presión hacia abajo en la parte superior del Botón Liberador en la Armadura usando un objeto plano, y cualquier remanente será empujado para afuera de la parte superior del Magazine (las partes del Magazine son presentadas en la página 11).

**Consejo:** Para tener mejores resultados y mantener su marcador TCR en función a tope, es aconsejable que use bolas de pintura que no estén muy usadas porque son mas frágiles y que no tengan marcas o defectos. Para determinar si la bola de pintura es adecuada para uso haga presión sobre la bola con sus uñas y si dejan marcas con facilidad deséchelas. Igualmente, Tippmann recomienda no dejar bolas atrapadas en el interior del Magazine por periodos prolongados de tiempo porque esto deforma la forma redonda de las bolas. Por lo tanto llene el Magazine el mismo día en que va a jugar.

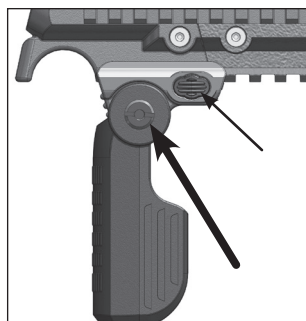
### 5. Vistas plegable

La vista frontal y de la vista trasera plegable puede ser vista en dos posiciones. Al plano contra el Riel Picatinny, puede pulsar la Tippmann T (flecha grande) o pulse las dos pestañas que se encuentran a los lados de la vista (flecha pequeña) para que sean plegables para uso.



## 6. Mango plegable Vertical

Pulse el botón (flecha grande) para plegar el mango para el ángulo deseado. Pulse el botón (flecha pequeña) para mover el agarre para una posición diferente en el Riel Picatinny, o bien, quitar la empuñadura de la Riel Picatinny.



## 7. Codo de Alimentación (opcional)

Si desea utilizar la opción de alimentación de la tolva, consulte las instrucciones en *Instalación de Ensamble Codo de Alimentación* de la página 16.

## Ajuste de la Velocidad

Antes de cada juego de paintball, la velocidad de su marcador debe ser checada con un cronógrafo, (instrumento de medición de velocidad), y verificando que la velocidad este por debajo de (300 pies) 92 metros/seg. o menos si es requerido por las normas del campo de juego.

Para ajustar la velocidad, use una llave hexagonal de 3/16" que viene incluida con su marcador. El ajuste de velocidad se hace con el tornillo localizado en la parte de atrás del recibidor. (no use una llave muy pequeña y por accidente ajuste el tornillo de la válvula reguladora de presión el cual tiene acceso a través de el juego de tornillos de ajuste de velocidad - ver nota abajo).



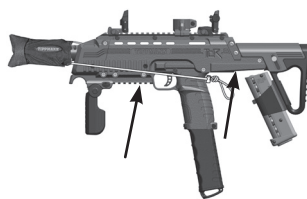
Para disminuir la velocidad, mueva el tornillo en sentido contrario a las manecillas del reloj. Para aumentar la velocidad, mueva el tornillo en el sentido de las manecillas del reloj.

NOTA: Este marcador tiene una válvula reguladora de presión que previene la acumulación excesiva de aire la cual puede dañar su marcador y esta ajustada desde su fabricación en 350 psi. Si usted introduce un cartucho con excesiva presión de aire o temperaturas muy elevadas pueden causar que se acumule más presión en el cartucho, este expulsara aire en exceso a través del punto de acceso. *Ajuste de la Válvula Reguladora de Presión* únicamente siguiendo las instrucciones de la página 18.

## Remoción del Cartucho de CO2

### ADVERTENCIA

**Mantenga toda piel expuesta alejada de algún escape de gas (las flechas) mientras se instala o remueve la fuente de aire, cartuchos o si el marcador o el suministro de aire tenga un escape. Aire comprimido, CO2 y gases como nitrógeno son frios y puedes producir quemaduras bajo ciertas condiones. Los protectores para ojos diseñados para paintball deben ser usados por los jugadores y cualquier persona que este en el rango de alcance.**



No desensamble o almacene un marcador con el cartucho de aire instalado (con perforacion o sin perforacion). Si su marcador tiene instalado la línea remota, no remueva la línea de suministro de aire del cartucho hasta que haya seguido las instrucciones de la línea remota del adaptador, para remover el cilindro de aire (ver página 21).



## Descarga de cartucho de aire SIN PERFORACION (no usado)

Si usted ha instalado un cartucho nuevo de CO<sub>2</sub>, pero aun no ha halado el gatillo una vez para perforar el cartucho, y decide que no desea usar el cartucho que está en el marcador, haga lo siguiente:

1. Los protectores para los ojos que han sido diseñados para el juego de paintball deben ser usados por el usuario y cualquier persona que se encuentre al alcance. Siempre sostenga el cañón del TCR apuntando en una dirección alejada de usted.
2. Abra el Riel Picatinny/ CO<sub>2</sub> para tener acceso como se muestra en la página 5.
3. Levante el extremo del cañón hacia abajo para permitir que el cartucho de CO<sub>2</sub> no perforado existente despegue la entrada.
4. Ponga de lado el marcador para permitir que la puerta de Acceso para el CO<sub>2</sub> este hacia abajo y levante el cañón hacia arriba. El cartucho de CO<sub>2</sub> existente saldrá del marcador.
5. Cierre el Riel Picatinny/ CO<sub>2</sub> y la puerta de Acceso.

## Descarga de cartucho de aire PERFORADO (usado)

El Cartucho de CO<sub>2</sub> perforado debe ser desocupado antes de ser removidos.

1. Los protectores para los ojos que han sido diseñados para el juego de paintball deben ser usados por el usuario y cualquier persona que se encuentre al alcance. Siempre sostenga el cañón del TCR apuntando en una dirección alejada de usted.
2. Apunte su marcador in a dirección segura y dispare hasta que el cartucho de CO<sub>2</sub> quede vacío. NOTA: Si usted tiene un cartucho perforado en su marcador y el marcador no dispara, siga las instrucciones en la página 17, en la sección *Libere la Presión de su Marcador Que No Disparara*.
3. Abra el Riel Picatinny/ CO<sub>2</sub> y la puerta de Acceso como se muestra en la página 5.
4. Levante el extremo del cañón hacia abajo para permitir que el cartucho de CO<sub>2</sub> existente que ha sido perforado y está desocupado desaloje la entrada.
5. Ponga de lado el marcador para permitir que la puerta de Acceso quede más abajo y levante el cañón hacia arriba. El cartucho de CO<sub>2</sub> existente saldrá del marcador.
6. Si desea, instale un cartucho de CO<sub>2</sub> nuevo.
7. Cierre el Riel Picatinny/CO<sub>2</sub> y la puerta de Acceso.

## Ajuste del TCR para Cartuchos de CO<sub>2</sub>

La longitud de los cartuchos de CO<sub>2</sub> varía de una marca a otra marca. El TCR se puede calibrar fácilmente de acuerdo a la marca del cartucho. Este ajuste también previene que el cartucho de CO<sub>2</sub> presente escapes en el ensamble de la válvula perforadora.

1. Si el cartucho de CO<sub>2</sub> no está perforado o presenta un escape, de vuelta con la llave hex de 3/32" a la derecha en el puerto de sincronización para que el cartucho de CO<sub>2</sub> este más cerca al pasador perforador y aumente el sellado del cartucho.
2. Para prevenir que el cartucho de CO<sub>2</sub> sea perforado durante la instalación, de vuelta con la llave hex 3/32" a la izquierda para alejar el cartucho del pasador perforador.



## Limpeza y Mantenimiento

Los protectores para ojos diseñados para paintball deben ser usados por los jugadores y cualquier persona que este en el rango de alcance. Para reducir el riesgo de descarga accidental:

Primero siga las instrucciones, para Descargando Su Marcador y Remoción del Cartucho de CO2 descritas en la página 8 (ver la página 21 para los marcadores con adaptador de línea remota). No desensamble este marcador mientras este presurizado. No presurise un marcador parcialmente ensamblado. Limpie su marcador después de aproximadamente 5000 disparos.

- Siga las advertencias enumeradas en el cartucho y/o cilindro de suministro de aire y empaque para manipulación y almacenamiento.
- Familiarícese con todas las instrucciones enumeradas para el cartucho y/o cilindro de suministro de aire y el adaptador. Si tiene alguna duda contacte al fabricante.
- Lea y siga las advertencias y normas de seguridad para los cilindros de suministro de aire en las páginas 22 - 23.
- Los productos que contengan petrolatos o aerosoles, pueden dañar los empaques de su marcador. No use solventes o derivados a base de petróleo. No use solventes o limpiadores en aerosol.
- Para limpiar su marcador de paintball use una toalla húmeda, limpie y remueva pintura, grasa, y desechos.
- Para limpiar el Cañón interno: desatornille el Cañón y jale hacia afuera.
- Inserte el cordón limpiador, luego hale para remover todo el residuo almacenado.
- Para limpiar la recámara y Cañón: Una vez removido el magazine - empuje el cordón limpiador dentro de el mango y afuera del Cañón, luego jale el cordón a través de este para remover residuos.
- Limpie el magazine con una toalla húmeda para limpiar apagado la pintura, la grasa y la ruina. Resortes secos inmediatamente en caso de necesidad a ayudar a evitar el aherrumbrar.
- Para mantener su marcador en buen estado de funcionamiento, inspeccione, limpie y reemplace cualquier parte que no funcione y lubrique siguiendo las instrucciones del marcador en las páginas 12-16. Los mejores empaques, están hechos de uretano. Los empaques de uretano, no se afectan con la alta presión de aire. Estos pueden ser adquiridos directamente en Tippmann o con cualquiera de nuestros distribuidores locales. Use lubricante Tippmann en forma ligera en los empaques y anillos para mantener su marcador funcionando correctamente.

## Desensamble / Re ensamble y Examen del Magazine

Lea estas instrucciones completamente antes de desensamblar o re ensamblar el Magazine. Estas instrucciones son aplicables al magazine de 7 bolas, pero también puede ser aplicable a magazines de 12 bolas. Algunas partes del magazine de 12 bolas tienen partes que son más largas que los magazines de 7 bolas. Refiérase al diagrama que está en la página siguiente a estas instrucciones.

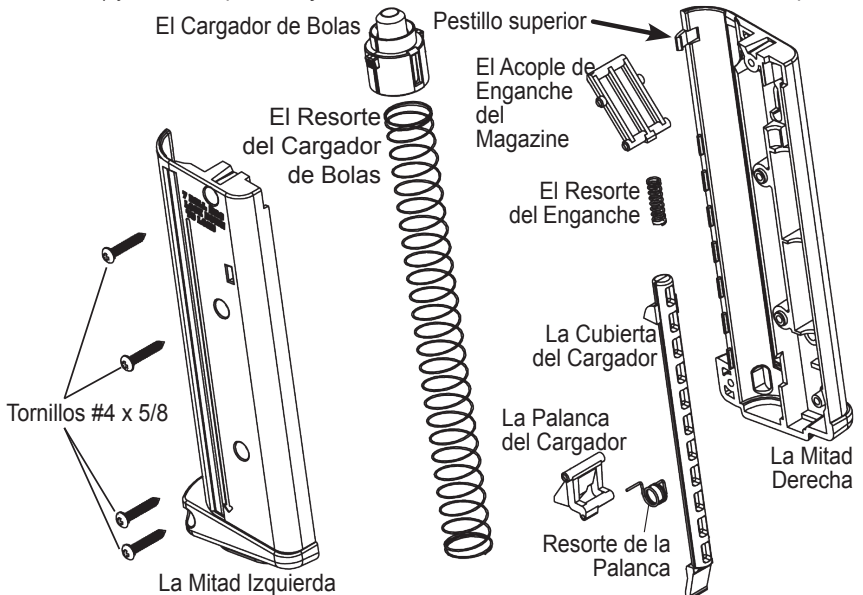
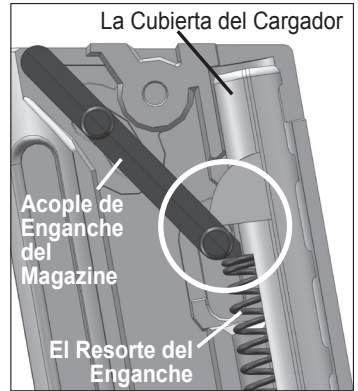
### Desensamble del Magazine

1. Ajuste el Magazine en una mesa de trabajo poniendo el Lado Izquierdo (7 bolas) o el Lado Derecho (12 bolas) mirando hacia arriba.
2. Retire cuatro (7bolas) o seis (12 bolas) tornillos #4 x 5/8.
3. Desenganche el pestillo superior (la flecha en la ilustración en la parte inferior de la página siguiente), luego separe las dos mitades del Magazine.
4. Remueva y limpie las partes internas si es necesario.

NOTA: Si usted limpia el Resorte del Cargador de Bolas (7 bolas) use solo agua, para prevenir el óxido deben ser secados completamente y aplique una capa de aceite Tippmann antes de reensamblarlo.

## Reensamble del Magazine

1. Coloque dentro de la cubierta Derecha el Resorte que libera la Palanca del cargador.
2. Oriente adecuadamente dentro de la cubierta Derecha, la palanca del Resorte que libera la Palanca del cargador.
3. Coloque dentro de la cubierta derecha el Acople de Enganche del Magazine y la armadura de Liberación del Cargador.
4. Coloque el Resorte del Pestillo en medio del Acople de Enganche del Magazine y la Armadura de Liberación. El Resorte del Pestillo quedara dentro de un bolsillo formado por dos partes internas de la Cubierta Derecha.
5. Confirme que el Acople de Enganche del Magazine y que la Armadura de liberación del Cargador queden orientadas como se muestra dentro del circulo en el área de la derecha. La superficie plana del Acople de Enganche del Magazine y la Armadura de Liberación del Cargador queden ensamblados, y deben alinearse correctamente para que el Magazine funcione correctamente.
6. Coloque el Resorte del Cargador de Bolas dentro de la Cubierta Derecha.
7. Instale la Cubierta Izquierda dentro de la cubierta Derecha, pero no presione completamente las dos partes. Asegúrese que las partes internas están en sus ubicaciones durante la recolocación de las dos partes. La parte Superior del Acople (ver la flecha en el gráfico siguiente) de la cubierta Derecha no enganchan al mismo tiempo.
8. Instale el tornillo de la parte inferior #4 x 5/8. Apriételo hasta que quede ajustado.
9. Coloque el Cargador de Bolas dentro del Resorte del Cargador de Bolas (alineando las dos aletas en el Cargador de Bolas con las ranuras en la Cubierta Izquierda y Cubierta Derecha) y deslícela para abajo dentro de las cubiertas ensambladas. Presione para



abajo sobre el Cargador de Bolas hasta que sienta que han quedado en el lugar dentro del Magazine. Note que el cargador para 12 bolas tiene un lado que esta plano que va contra el Acople de Enganche del Magazine.

10. Empuje la parte Superior del Magazine en conjunto de tal manera que el Pestillo enganche (flecha en la siguiente grafica (arrow below)).
11. Instale los tornillos remanentes #4 x 5/8. Atornille hasta que queden ajustados.

## Verificar el Magazine

1. Use in barra delgada para empujar el Cargador del Cañon. Asegúrese que el Cargador de Bolas se pueda mover libremente.
2. Mientras sostiene hacia abajo el Cargador de Bolas, empuje la Armadura de liberación del Cargador hacia abajo y asegúrese que el Acople de Enganche en el Magazine se mueva.
3. Empuje completamente hacia abajo el Cargador de Bolas en el fondo del Magazine hasta que este quede asegurado en su lugar.
4. Coloque un dedo dentro de la parte superior del Magazine, luego presione hacia abajo en la Armadura de liberación para que libere el Cargador de Bolas. Liberar el Cargador de Bolas sin usar un dedo que lo detenga puede resultar en la ruptura del Cargador de Bolas.

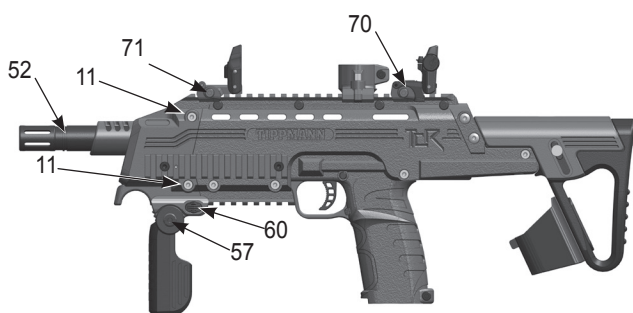
La prueba del Magazine esta completa.

## Desensamble / Ensamble del TCR

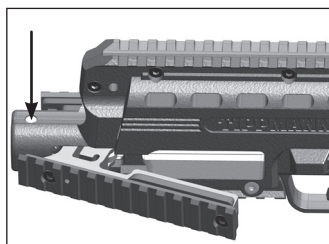
Prepare una mesa con suficiente espacio de trabajo y asegúrese de que ninguna parte pequeña se pierda. La protección de ojo se debe usar durante desmontaje/la asamblea. No desensamble este marcador mientras este presurizado. No presurise un marcador parcialmente ensamblado. Desocupe el TCR usando las instrucciones (paso 4) en la página 7. Siga las instrucciones, para Descargando su Marcador y Remoción del Cilindro de CO2 descritas en la página 8 (ver la página 21 para los marcadores con adaptador de línea remota).

1. Retire el Cañon (52) dando vuelta a la izquierda, y hale para afuera.
2. Remueva el Lado Frontal y el Lado Posterior retirando los Tornillos que sostienen el Riel Picatinny.

3. Remueva el Mango plegable Frontal haciendo presión en el botón (60) y deslícelo hacia afuera del Picatinny Rail. Al presionar el botón (57) le permitirá cambiar del Mango plegable Frontal.



4. Use una llave hex de 1/8" para remover los dos tornillos (11). Remueva el Recibidor Frontal deslizando este hacia adelante.
5. Abra la puerta del compartimento de CO2. Usando el extremo largo de la llave hex, luego empuje el Pasador Pivot para afuera. Ahora la puerta del CO2 podrá ser removida del marcador.
  - a. Si usted quiere que la puerta del CO2 este en el otro lado del marcador, remueva el Riel

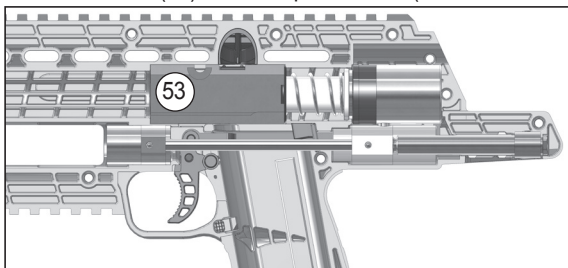


Picatiny en el lado derecho del marcador (dos tornillos).

- b. Rote 180° la Carcasa Interna del CO2.
  - c. Instale el Riel Picatiny en el lado izquierdo del marcador.
  - d. Instale la puerta del CO2 en el lado derecho del marcador. Reinserte el Pasador Pivot que sostenga la puerta en su lugar.
6. Remueva el lado izquierdo del receptor desatornillando los 12 tornillos (en el círculo blanco a la derecha) del lado izquierdo del marcador. Las mitades derecha e izquierda del receptor están sostenidas por el pestillo ubicado con el círculo negro en la derecha. Con cuidado levante y desconecte la mitad Izquierda del Receptor para tener acceso a las partes internas del marcador.

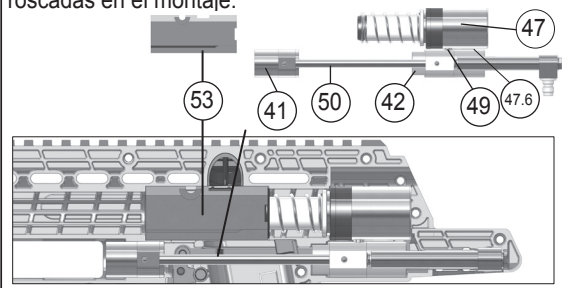


7. Levante para afuera el Adaptador del Cañón (53). Levante para afuera (en una sola pieza) la Línea Larga de Gas (50), la Válvula Perforadora (41), el Regulador (42), la válvula de aire (47). Incluye la válvula de Disparo (Ítem 47.6 en la lista de partes), y un ensamble para la Línea Corta de Gas (49).

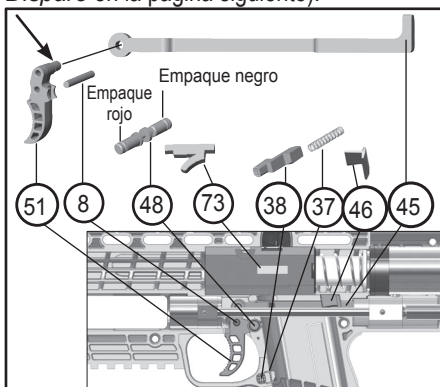


Para separar este subensamble, hale la Línea Larga de Gas afuera de los dos acoples integrados. (En el reensamble, lubrique los empaques de la Línea Larga del Gas.) Hale el Regulador de la Válvula de Aire y hale hacia afuera la Línea Corta de Gas (lubrique los empaques en el momento de reensamble). Remueva la Válvula de disparo (47.6) de la Válvula de Aire (ver la sección *Desensamble de la Válvula de Disparo* en la página siguiente).

NOTA: Inicio cuidadosamente a mano todas las piezas roscadas. No apriete en exceso, puede strip partes roscadas en el montaje.



8. Levante el Resorte (37) de Liberación del Magazine (38) (en el momento de reensamble, el extremo del empaque negro debe ir dentro de la mitad derecha del receptor); el Gatillo (51), el Pasador del Gatillo (8), el Acople de Enganche (73), y el Transmisor conector (45).



9. Limpie e inspeccione las partes. Reemplace cualquier parte que esta dañada. Use grasa Tippmann para lubricar ligeramente los Empaques de Seguridad, Resorte (37), la bisagra del Gatillo (flecha de la derecha), y el Pasador del Gatillo (8)

para mantener su marcador en buenas condiciones de trabajo.

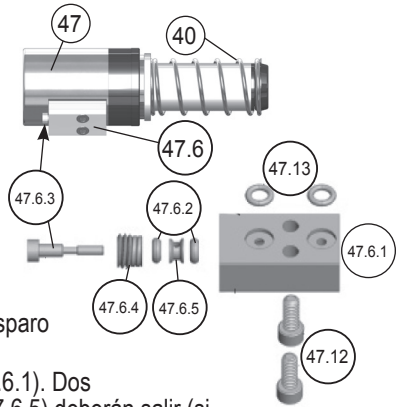
10. Para reensamblar, siga estas instrucciones en forma invertida y asegúrese que el pasador del Transmisor de las válvulas de disparo (47.6.3 parte baja derecha) esté completamente metido en el cuerpo de la válvula como se muestra.

NOTA: Con cuidado Inicie con sus manos las roscas de todas las partes. No las apriete demasiado porque puede alterar las roscas en el momento de reensamblar.

NOTA: Un fracaso en el ensamble correcto puede ocasionar daños e las partes, escapes de CO<sub>2</sub>, y otros problemas. En la forma como usted reensambla su marcador, verifique que todas las partes estén limpias, sin daños, lubricadas e instaladas correctamente.

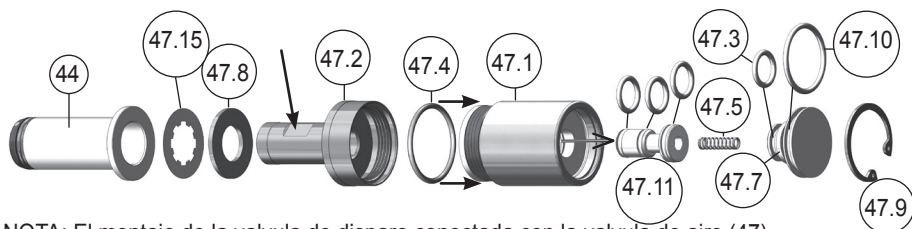
## Desensamble / Ensamble del la Válvula de Disparo

1. Siga a *Desensamble/Ensamble del TCR* que comienza en la página 12.
2. Remueva del Ensamble de Aire Válvula (47) la válvula de disparo, al remover los dos Tornillos de Cabeza Hueca (47.12) con la llave hex de 3/32".
3. Los 2 empaques (47.13) no están juntos.  
NOTA: Asegúrese de que estos dos empaques estén en su lugar cuando reensamble la Válvula de Disparo en el Ensamble de la Válvula de Aire.
4. Hale Pasador del transmisor (47.6.3) para afuera. NOTA: Cuando este reensamblando debe estar seguro que el Pasador del Transmisor haya sido empujado completamente dentro del cuerpo de la Válvula de Disparo como se muestra.
5. Remueva el Pasador Guía de la Válvula de Disparo (47.6.4) usando una llave hex de 3/32".
6. Golpee el Cuerpo de la Válvula de Disparo (47.6.1). Dos empaques (47.6.2) y la Válvula del Cojinete (47.6.5) deberán salir (si usted necesita halar las partes hacia afuera, use una herramienta plástica para que no haga daño a las otras partes).
7. Limpie e inspecciones las partes. Reemplace cualquier parte dañada. Use grasa Tippmann para lubricar ligeramente los empaques (47.6.2) y los resortes (40) para mantener el marcador en buenas condiciones de trabajo.
8. Para reensamblar y reconectar la Válvula de Disparo a la Válvula de Aire, siga estas instrucciones pero en forma inversa. NOTA: Con cuidado Inicie con sus manos las roscas de todas las partes. No las apriete demasiado porque puede alterar las roscas en el momento de reensamblar. NOTA: Un fracaso en el ensamble correcto puede ocasionar daños e las partes, escapes de CO<sub>2</sub>, y otros problemas. En la forma como usted reensamblar su marcador, verifique que todas las partes estén limpias, sin daños, lubricadas e instaladas correctamente.



## Desensamble / Ensamble Valvula de Aire

1. Siga a *Desensamble/Ensamble del TCR* que comienza en la página 12.
2. Deslice el Tornillo Frontal (44), Tornillo de la Cubierta de la Defensa (47.15) y el disco de la Defensa (47.8) que sale del Tubo de Potencia (47.2).
3. Remueva el Tubo de Potencia del Cuerpo de la Válvula (47.1) desatornillando el Tubo de Potencia con una llave 1/2" Plana (ver la flecha en la grafica siguiente).
4. Para tener acceso a las partes internas del Cuerpo de la Válvula, remueva el Anillo de chasquido (47.9) con la herramienta para el anillo de chasquido. NOTA: Las puntas de la herramienta deben encajar dentro del anillo de chasquido. Si usa una herramienta



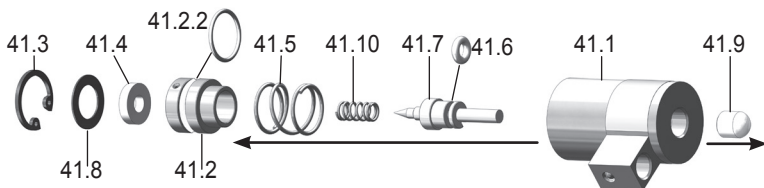
NOTA: El montaje de la válvula de disparo conectada con la válvula de aire (47) (ver la página 13 para Ensamblado / Desensamblado de la válvula de disparo).

más pequeña puede ocurrir que el anillo vuele hacia afuera y cause lesiones y/o daños a las partes. Para remover las partes internas fuera del cuerpo de la Válvula (47.1), cuidadosamente empujélos hacia afuera usando una herramienta plástica en la dirección que se muestra.

5. Limpie e inspeccione las partes. Reemplace cualquier parte dañado. NOTA: los empaques han sido removidos. No es necesario remover los empaques como se muestra cuando inspeccione, limpie, y lubrique. Use grasa Tippmann para lubricar ligeramente los empaques y resortes y mantener su marcador en buena condición de trabajo. Asegúrese de engrasar el Tornillo Frontal (44) el Empaque del Tubo de Potencia (47.2).
6. Para reensamblar siga estas instrucciones pero en forma inversa. NOTA: Con cuidado Inicie con sus manos las roscas de todas las partes. No las apriete demasiado porque puede alterar las roscas en el momento de reensamblar. NOTA: Un fracaso en el ensamble correcto puede ocasionar daños e las partes, escapes de CO<sub>2</sub>, y otros problemas. En la forma como usted reensamblar su marcador, verifique que todas las partes estén limpias, sin daños, lubricadas e instaladas correctamente.

## Desensamblable / Ensamble de la Válvula Perforadora

1. Siga a *Desensamble/Ensamble del TCR* que comienza en la página 12. No apriete demasiado pues las roscas ya que se pueden alterar cuando se reensamble de nuevo.
2. Para tener acceso a las partes internas de la Válvula Perforadora, remueva el Anillo de chasquido (41.3) con la herramienta para removerlo. NOTA: Los extremos de la herramienta removedor deben quedar cómodamente dentro del anillo de chasquido – si usa herramientas que tiene extremos que son muy pequeños puede causar que el anillo salga volando de la herramienta y cause lesiones y/o daños a otras partes. Para remover las partes internas del cuerpo de la Válvula Perforadora (41.1), remueva la cubierta del Pasador de Perforador (41.9) y con cuidado empuje el Pasador de Perforador (41.7) y las partes internas para afuera como se muestra en la flecha abajo.

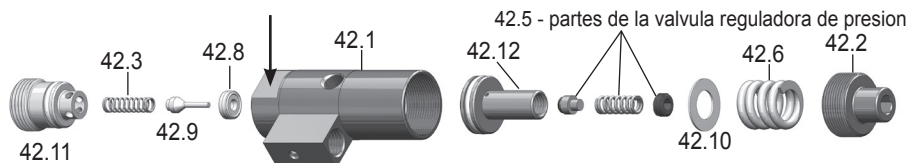


3. Limpie e inspeccione las partes. Reemplace cualquier parte dañado. NOTA: los empaques han sido removidos; No es necesario remover los empaques como se muestra cuando inspeccione, limpie, y lubrique. Use grasa Tippmann para lubricar ligeramente los empaques y resortes y mantener su marcador en buena condición de trabajo.
4. Para reensamblar siga las instrucciones en reversa. NOTA: Usando sus manos

inicie coloque las partes y de vuelta sin hacer fuerza excesiva para no lateral las roscas durante el re ensamble. NOTA: Si el re ensamble no esta bien hecho. Habrá alteraciones en las partes, escapes de aire o CO2 y otros problemas. A medida de que usted realiza el re ensamble asegúrese de que las partes estén limpias, sin alteraciones y lubricadas para tener una adecuada instalación.

## Desensamble / Ensamble del Regulador

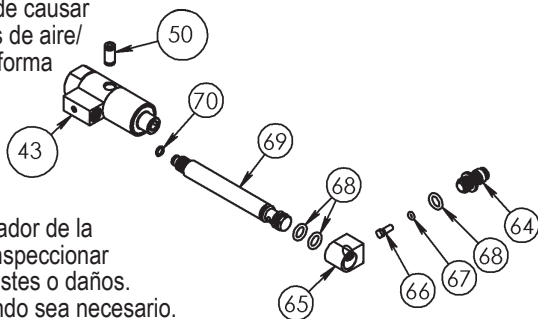
1. Siga a *Desensamble/Ensamble del TCR* que comienza en la página 12.
2. Remueva el Tapón Posterior del Regulador (42.11) del Cuerpo del Regulador (42.1) sosteniendo le Cuerpo del Regulador usando una llave de 5/8" sobre las "indentacione para las llaves" (ver la flecha), y remueva el Tapón Posterior dando vuelta a la izquierda con una llave hex de 3/16". Las partes internas se deslizaras hacia afuera.



3. Para remover la Cubierta del Regulador (42.2), desatornillela usando una llave hex de 3/16" hasta que esta y el Resorte (42.6) salgan. Use sus dedos para halar el Piston del Regulador (42.12). No es necesario remover partes para Aliviar la Presión (42.5) para hacer el mantenimiento normal.
4. Limpie e inspeccione las partes. Reemplace cualquier parte dañada. NOTA: los empaques han sido removidos; No es necesario remover los empaques como se muestra cuando inspeccione, limpie, y lubrique. Use grasa Tippmann para lubricar ligeramente los empaques y resortes y mantener su marcador en buena condición de trabajo.
5. Ensamble el Regulador siguiendo estas instrucciones pero en forma invertida. NOTA: Una falla en el reensamble correcto puede causar daños a otras partes, escapes de aire/CO2, y otros problemas. En la forma como usted reensamblar su marcador, verifique que todas las partes estén limpias, sin daños, lubricadas e instaladas correctamente.
6. Una vez ha reensamblado el marcador, usted necesitara ajustar la Válvula de Alivio Regulador de Presión si usted removió alguna de las partes de Alivio de Presión # 42.12 (ver *Ajustes al Válvula Reguladora de Presión* en la página 18).

## Adaptador de Línea Remota

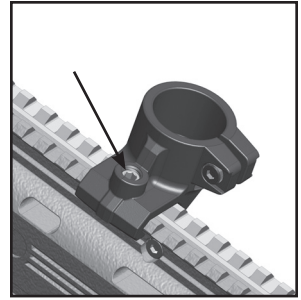
1. El ensamble del Adaptador de Línea Remota se muestra a la derecha. NOTA: Una falla en el reensamble correcto puede causar daños en otras partes, escapes de aire/CO2, y otros problemas. En la forma como usted reensamblar su marcador, verifique que todas las partes estén limpias, sin daños, lubricadas e instaladas correctamente.
2. Cuando desensamble el Adaptador de la Línea Remota, asegúrese de inspeccionar los empaques buscando desgastes o daños. Reemplace los empaques cuando sea necesario.





## Instalación de Ensamble Codo de Alimentación

1. Siga a *Desensamble/Ensamble del TCR* que comienza en la página 12 los pasos 1 a 6. Las dos mitades separadas del receptor y extraer el Tapón del Codo de Alimentación (5) de la derecha medio receptor.
2. Gire el Adaptador Cañón (53) para que la parte que recibe la Revista quede hacia arriba.
3. Volver a montar el marcador. Deslizar la tolva de alimentación en la parte superior del raíl Picatinny alineando con el orificio de la tolva de alimentación. Utilice el tornillo para que se mantenga en su lugar como se muestra en la figura (flecha). Vuelva a instalar el receptor. Vuelva a instalar la parte delantera y trasera Vistas.



## Libere la Presion del Marcador que no sera usado

### **⚠ ADVERTENCIA**

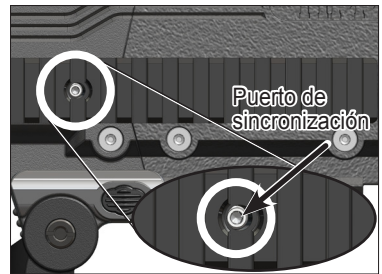
**Mantenga toda piel expuesta alejada de algún escape de gas (las flechas) mientras se instala o remueve la fuente de aire, cartuchos o si el marcador o el suministro de aire tenga un escape. Aire comprimido, CO2 y gases como nitrógeno son fríos y puedes producir quemaduras bajo ciertas condiciones.**



**Los protectores para ojos diseñados para paintball deben ser usados por los jugadores y cualquier persona que este en el rango de alcance.**

Solo use este procedimiento si no va a disparar y el carucho de CO2 ha sido perforado. Coloque el marcador en seguro (ver página 3), Instale el mecanismo de bloqueo del Cañón (ver página 1) y luego remueva el magazine (ver página 6).

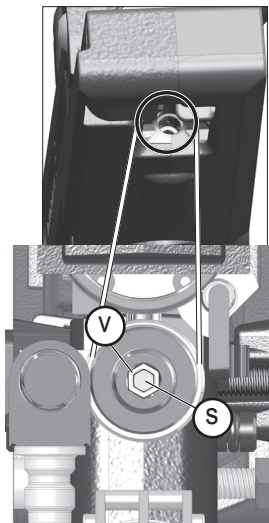
De vuelta al tornillo de ajuste del cartucho de CO2 en el Puerto de Afinación para desocupar el cartucho de CO2. Mantenga toda piel expuesta alejada de los puntos de escapes de CO2 (flechas en la advertencia previa). Remueva y deseche el cartucho de CO2. Usted requerirá reajustar la función de perforación cuando use un nuevo cartucho CO2 (ver la página 8 para instrucciones).



## Ajuste de la Válvula Reguladora de Presión

La válvula de liberación de presión ha sido calibrada en la fábrica a 350 psi. No la calibre a presiones mayores de 350 psi porque podrá causar daños a los componentes del marcador o causar lesiones personales. Si desensambla el Regulador (página 16) y retira las partes que se indican, usted tendrá que recalibrar la presión en la válvula reguladora antes de usar el marcador.

1. Ajuste la velocidad como se explica en la página 8 hasta que el cronógrafo indique 300 fps o menos.
2. Coloque el marcador en seguro (ver página 3), instale el mecanismo de bloqueo del Cañon (ver página 1) y luego remueva el magazine (ver página 6).
3. Inserte una llave de 1/8" en el dentro del tornillo regulador (S) y muévalo muy lentamente hacia la izquierda solo hasta que el aire comience a salir por la válvula de escape (V). Luego mueva el tornillo lentamente a la derecha solo hasta que el aire deje de salir por la válvula de escape y es calibrada. **NOTA** : no mueva el tornillo mas a la derecha porque esto ocasionara que quede calibrada a mas de 350 psi con lo cual se puede dañar el marcador y puede causar lesiones personales.
4. Siga las instrucciones de *Ajuste de Velocidad* de la página 8 para ajustar la velocidad hasta que el cronógrafo marque 300 fps o menos.

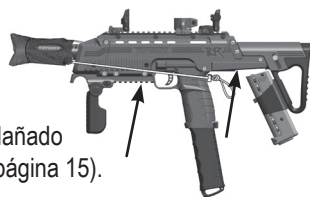


## Solucion a Problemas

**PROBLEMA:** Usted a cargado satisfactoriamente y perforado el cartucho nuevo, cambio el botón de seguridad a posición de disparo y su marcador no hace disparos.

**SOLUCION:** Coloque el seguro del gatillo en posición de Seguro (ver página 3), instale el mecanismo de bloqueo del Cañon (ver página 1) y remover el magazine (ver página 6). Siga las instrucciones: *Libere la Presion del Marcador que no sera usado* (ver página 17).

**PROBLEMA:** El aire/CO2 se escapa por la ventana (ver la fleche).



**SOLUCION:** La mas común causa de escapes esta causada por empaque dañado o sucio. Revise el empaque por algún dañado o sucio (ver *Desensamble de la Válvula Perforador* en la página 15).

**PROBLEMA:** El Magazine no alimenta correctamente.

**SOLUCION:** Use bolas nuevas.

**SOLUCION:** Limpie el interior y exterior del magazine con agua tibia y una toalla humeda para remover la tinta, grasa y reciduos. Seque muy bien los resortes para evitar corrosión.

**SOLUCION:** Asegúrese que la recamara este libre y que el pestillo para las bolas este instalado correctamente.

**PROBLEMA:** Usted hace presión sobre el gatillo y el marcador no presuriza.

**SOLUCION:** Ajuste el tornillo del cartucho de CO2 en el puerto de afinación (ver página 9).

**PROBLEMA:** El aire/CO2 se escapa de la conexión del cilindro suministro de aire al el adaptador remoto.

**SOLUCION:** El escape mas común se presenta por que el empaque de la válvula de suministro de aire esta no esta bien. (ver reparación de escape en el cilindro de aire página 24).

## Problemas despues de Desensamblar / Ensamblar su Marcador

Fracaso el ensamble de las partes correctamente con lo cual puedo causar daños en las partes, escapes de aire, y otros problemas. Siempre revise para estar seguro de que las partes estén limpias, sin daños, lubricadas e instaladas correctamente cuando usted desensamble y ensamble su marcador.

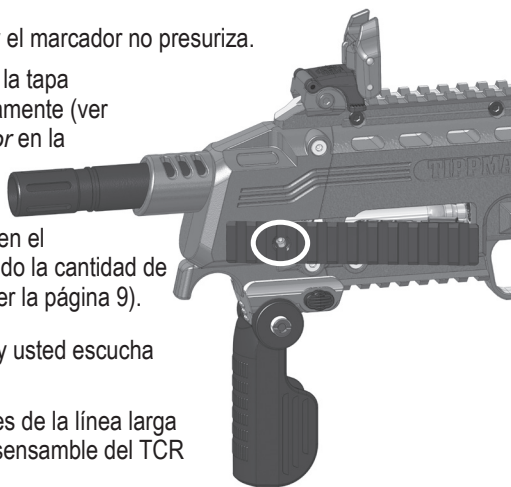
**PROBLEMA:** Usted presiona el gatillo y el marcador no presuriza.

**SOLUCION:** Chequee que la pasador de la tapa perforadora (41.9) este instalada correctamente (ver *Desensamble de la Válvula Perforador* en la página 15).

**SOLUCION:** Ajuste el desplazamiento del cartucho de CO2 (use una llave hex en el circulo del Puerto de alargando o acortando la cantidad de desplazamiento de el cartucho de CO2 ver la página 9).

**PROBLEMA:** Usted instala el cartucho y usted escucha un escape de aire/CO2.

**SOLUCION:** Asegúrese que los empaques de la línea larga y corta de gas no estén dañados (ver desensamble del TCR en la página 12).



**PROBLEMA:** El regulador (page 15) escapa continuamente aire.

**SOLUCION:** Adjust e de la Valvula de Reguladora de Presion (ver página 18).

**SOLUCION:** Revise el pasador del regulador por suciedad, daño o simplemente no esta dentro del piston del regulador adecuadamente. Limpie, inspeccione, y reemplace si hay daño. **NOTA:** cuando ensamble - asegúrese que el pasador del regulador este dentro del pistón (ver desensamble del regulador en la página 16).

**PROBLEMA:** Usted hace presión sobre el gatillo y este se queda atascado y este se queda atascado y no se recupera.

**SOLUCION:** Revise si el pin de disparo no esta alineado. Desensamble la válvula de disparo y asegúrese de que los pasadores esten completamente introducidos en el cuerpo de la válvula (ver desensamble de la válvula de disparo en página 14).

**PROBLEMA:** Hay un escape de aire en el Cañon.

**SOLUCION:** Revise los empaques de la válvula del carrete buscando suciedad, daño (ver desensamble de la válvula de aire en la página 14).

**PROBLEMA:** Cuando hace presión suavemente sobre el gatillo - un escape corto se siente. Si este escape persiste sin que se de disparos.

**SOLUCION:** Revise el empaque posterior de la válvula del carrete y el empaque de la tapa de la válvula de aire buscando suciedad, daño (ver *Desensamble de la Válvula de Aire* en la página 14).

**PROBLEMA:** El gatillo no se mueve cuando usted intenta hacer disparos.

**SOLUCION:** Revise el dispositivo de seguridad del gatillo pues puede estar instalado al revés. El empaque rojo debe estar en la parte izquierda de seguro (PUSH SAFE) y el empaque negro debe estar a la derecha disparo (PUSH FIRE). (ver desensamble del TCR en la página 12).

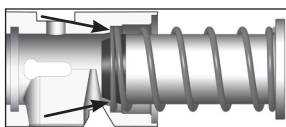
**PROBLEMA:** Al hacer un disparo no salen bolas de pintura.

**SOLUCION:** Si el tornillo frontal esta metido hacia adelante las bolas de pintura no se cargaran: Revise el acople de enganche para asegurarse de que no se haya instalado al revés (ver *Desensamble del TCR* en la página 12).

**SOLUCION:** Si el tornillo frontal no esta instalado correctamente y no regresa completamente las bolas no se podrán cargar. Revise el Adaptador del Cañon y el ensamble de la válvula buscando suciedad, daños (ver desensamble del TCR en la página 12). Limpie y lubrique el Tornillo Frontal y la Válvula de Aire.

**PROBLEMA:** Usted aprieta el gatillo pero el marcador no se dispara.

**SOLUCION:** Compruebe el adaptador del canon y el perno de la parte delantera del desajuste resorte (ver *Desensamble/Ensamble del TCR* en la página 12).



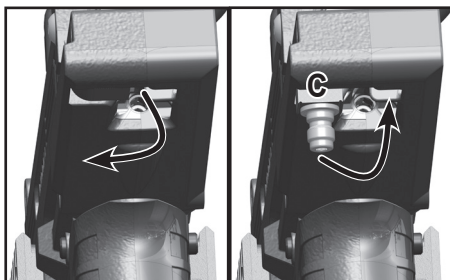
El Adaptador del Cañon aquí reducido a la mitad de la primavera bien asentado. El desajuste de la primavera hará que el marcador no se encienda.

**NOTA:** Si el problema persiste, llame a el Departamento de Servicio Tippmann al 1-800-533-4831 o su distribuidor local.

## Use la Línea Remota con el TCR

(metodo alternativo de entrega de aire/CO2)

EL Adaptador para la Línea Remota (C) se encuentra en la parte posterior del Recibidor. Rote el adaptador hacia abajo para usar la Línea Remota, o rótelo hacia arriba dentro del Recibidor cuando no está en uso la Línea Remota. Para usar la Línea Remota con TCR, usted necesita dejar el cartucho de CO2 en el TCR, ver la página 5 para las instrucciones de instalación del cartucho de CO2.

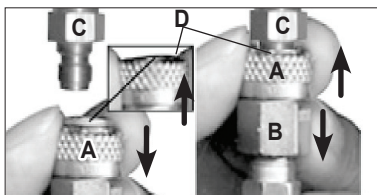


NOTA: Encontrara a continuación instrucciones para la instalación, encendido, y apagado del cilindro de aire/CO2 de la línea remota Tippmann H-01 Si la línea remota es de un modelo que no es Tippmann , siga las instrucciones que vienen con la línea remota para instalación, encendido, y apagado del cilindro de aire/CO2 remoto.

### Conexión, desconexión y Remoción del Cilindro de Air/CO2 Remota

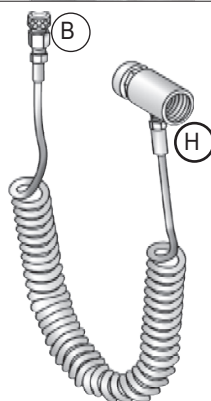
1. Los protectores para ojos diseñados para paintball deben ser usados por los jugadores y cualquier persona que este en el rango de alcance. Coloque el seguro del gatillo en posición de Seguro (PUSH SAFE) ver página 3. Instale el mecanismo de bloqueo del Cañon (ver página 1). Remueva el Magazine (vea la página 6 y siga el paso 2: remoción del Magazine, instrucciones de carga e inserción).

2. Jale y sostenga hacia abajo el anillo (A) del conector (B) de la línea remoto para acoplar o remover el conector (B) del línea remoto. **Nunca** hale el anillo de seguro (A) cuando la Línea Remota esta bajo presión.

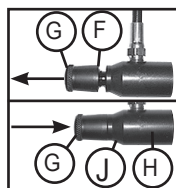


3. Para conectar el macador (sin cilindro conectado a la Línea Remota) con el anillo del conector sostenido hacia abajo (A), empuje el conector (B) hacia arriba dentro del acople del adaptador (C) y luego libere el anillo de conector para que quede seguro (D). Empuje hacia abajo el conector de la línea asegurándose de que haya quedado bien seguro.

4. Antes de hacer la conexión de el suministro de aire a el acople, los marcadores con adaptadore de línea remota deben tener primero un cartucho vacio de 12 gramos de CO2 instalado para que funcionen correctamente. Para desconectar el control de la válvula de flujo (F) mueva el control de flujo (G) hacia la izquierda hasta que se detenga (como se observa derecho). Instale el cartucho de 12 gramos de CO2. Siga las instrucciones para la instalacion de el cartucho de suministro de aire en página 5. Desocupe el cartucho de cualquier tipo aire - seguido Descargue el marcador con un cartucho de aire PERFORADO en la página 15 (luego mantenga el cartucho vacio sin instalar).



5. Instalar el cilindro de suministro de aire de la línea remoto ASA (H). Si necesario, primero marque la válvula del cilindro y el cilindro (ver *Advertencias Cilindro de Aire/CO2 y Consejos de Seguridad con el Suministro de Aire* de la páginas 22-23). Lubrique el empaque de la válvula del cilindro con un poco de lubricante para marcador, después inserte la válvula del cilindro, hasta el final dentro del adaptador del suministro de aire (H), en la línea remota. De vuelta al cilindro dentro del adaptador (H),



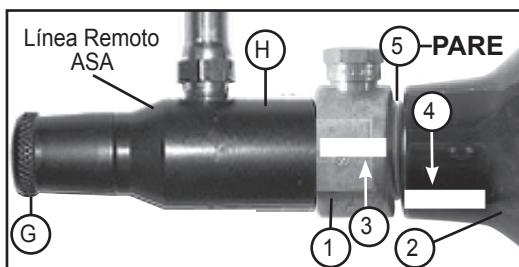
en sentido de las manecillas del reloj hasta que se detenga. Su marcador estará listo para disparar, una vez que mueve la válvula de flujo de aire (G) (en su totalidad en (J), y usted cambie de posición de seguro (PUSH SAFE) a posición de disparo (PUSH FIRE). Su marcador está listo para disparar cuando ha cumplido con:

- encienda el control de flujo (G) en sentido a las agujas del reloj en (J),
- remueva el mecanismo de bloqueo del Cañón, y
- mueva el botón en el gatillo de la posición de seguro a posición de disparo.

Para terminar el suministro de aire: de vuelta a el control de flujo (G) completamente afuera. Para encender el suministro de aire : de vuelta a el control de flujo (G) completamente adentro (J).

6. Remoción del Cilindro Suministro de Aire del Línea Remota — Usted debe primero leer las ADVERTENCIAS y normas de SEGURIDAD antes de proceder a remover el cilindro de suministro de aire en el paso 9. Descarga del Magazine TCR (página 7).

7. Consulte la ilustración de la derecha. Cada vez que usted da vuelta al cilindro para removerlo, mire las marcas en el cilindro (4) y en la válvula del cilindro (3) para asegurarse de que giran juntas. Si una de estas marcas comienzan a separarse como se ve en la #5, el cilindro se estará desatornillando de la válvula del cilindro y usted debe **PARAR**



y llevar toda la unidad a un experto "C5" quien está certificado en airmith para que el remueva en forma segura el cilindro y lo repare.

8. Coloque el seguro del gatillo en posición de Seguro (PUSH SAFE) ver página 3 y instale el mecanismo de bloqueo del Cañón (ver página 1).
9. De vuelta al cilindro de aire/CO2 a la izquierda para removerlo de la Línea Remota ASA.

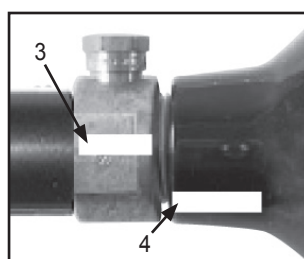
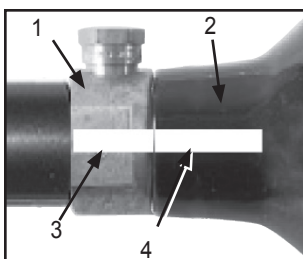
## Advertencias Cilindro de Aire/CO2

### **⚠ ADVERTENCIA**

**La válvula de bronce o níquel (1) ha sido fabricada para estar unida al cilindro de aire o de CO2 (2).**

**Un cilindro de aire o de CO2 puede dispararse con tal fuerza que puede causar lesiones permanentes o la muerte si se separa el cilindro (2) de la válvula (1).**

Remítase a la figuras en la parte derecha. Han habido reportes de incidentes causados por jugadores que sin conocimiento desatornillan el cilindro (2) de la válvula (1). Esto ocurre cuando el jugador piensa que el ensamble cilindro y la



válvula han sido desatornillado de el adaptador de suministro de aire (ASA) de el marcador de paintball, cuando en realidad están desatornillando el cilindro de la válvula del cilindro.

Para evitar este peligro, recomendamos Para evitar este riesgo, recomendamos (si su cilindro no está aun marcado) que use pintura o esmalte para uñas para poner una marca (3) sobre la

válvula del cilindro, y otra sobre el cilindro (4), en la línea con el #3 como se muestra.

Cada vez que usted da vuelta al cilindro para removerlo, mire las marcas en el cilindro y en la válvula del cilindro para asegurarse de que giran juntas. Si una de estas marcas comienzan a separarse como se ve en la figura inferior derecha, el cilindro se estará desatornillando de la válvula del cilindro y usted debe PARAR y llevar toda la unidad a un experto "C5" quien esta certificado en airsmith para que el remueva en forma segura el cilindro y lo repare.

**NOTA:** La válvula del cilindro debe desatornillarse del marcador en unas 3 o 4 vueltas completas. Si usted termina el 4th giro y la válvula del cilindro no se desatornilla del marcador de paintball, PARE. Tome toda la unidad y llévela un centro certificado "C5" de airsmith para que el remueva/repare en forma segura.

Puede localizar un centro certificado "C5" airsmith en este lugar web [www.paintball-pti.com](http://www.paintball-pti.com). Sea que usted tenga un cilindro de aire/CO2 nuevo o usado, usted esta en riesgo si observa alguno de los siguientes condiciones ocurren:

- La válvula de la unidad ha sido reemplazada o alterada después de la compra
- Se ha instalado un sistema anti-sifón
- La válvula de la unidad se ha sido removida del cilindro por alguna razón
- Alguna modificación se ha hecho al cilindro de aire o CO2.

Si alguna de estas condiciones han ocurrido, tome el cilindro de aire o de CO2 a un centro certificado "C5" Airsmith para inspección o contacte al fabricante de los cilindros.

## Consejos de Seguridad con el Suministro de Aire

CONSEJOS DE SEGURIDAD para asegurar que el cilindro de aire o CO2 pueda ser usado en forma segura:

- Un uso inapropiado, llenado, almacenaje, o desecho del cilindro de aire o CO2 puede resultar en daño a la propiedad, lesiones graves o la muerte.
- Asegúrese de que cualquier mantenimiento o modificaciones a cualquier cilindro de aire o CO2 debe ser realizado por una persona profesional y certificada "C5" airsmith.
- Instalar el Sistema Anti-sifón es muy peligroso. Aun cuando, si tiene ya uno instalado en su cilindro de Aire o CO2, o desea tener uno, es requerido que este sea chequeado o instalado por un profesional calificado.
- Todo cilindros de aire o CO2 solo debe ser llenado por personal entrenado.
- Toda válvula solo debe ser instalada por personal entrenado.
- No se exceda llenando el cilindro de aire o de CO2 más allá de su capacidad.
- No exponga un cilindro presurizado de aire o CO2 a temperaturas que excedan los 130 grados Fahrenheit (55 grados centígrados).
- No use limpiadores cáusticos sobre el cilindro de aire o de CO2 o sobre la válvula del cilindro ni lo exponga a materiales corrosivos.
- No modifique el cilindro de aire o CO2 en ninguna forma. Nunca intente desensamblar la válvula del cilindro de aire o CO2.
- Todo cilindro de aire o CO2 que ha sido expuesto a fuego o a temperaturas de 250 grados Fahrenheit (121 grados centígrados) o mas deben ser destruidos por personas entrenadas.
- Use el gas apropiado para su cilindro. Use solo CO2 para un cilindro para CO2 y use solo aire comprimido en cilindro para aire comprimido.

- Mantenga todos los cilindros alejados del alcance de los niños.
- Todo cilindro de aire o de CO2 debe ser inspeccionado y examinado hidrostáticamente por un experto licenciado DOT, cada 5 años.
- Mantenga toda piel expuesta alejada de escapes de gas especialmente cuando este instalando o removiendo el suministro de aire o si el marcador tiene una fuga. El CO2 comprimido es muy frío y puede causar quemaduras bajo ciertas condiciones.

NOTA: Puede localizar un centro certificado "C5" airsmith en este lugar web [www.paintball-pti.com](http://www.paintball-pti.com).

## Reparación de Fugas de Aire en el Cilindro

La gran mayoría de los escapes ocurren por un empaque de la válvula de aire/CO2 malo. Para reemplazar el empaque lo que debe hacer primero es remover el empaque malo e instalar uno nuevo. Este empaque esta localizado en la punta de la válvula de suministro de aire/CO2. La mejor calidad de empaques son los de uretano. Los empaques de Uretano no se afectan con altas presiones. Estos se pueden adquirir con nosotros Tippmann o con un distribuidor local de paintball.

**NOTA:** Si un empaque nuevo en la válvula de aire/CO2 no resuelve el problema del escape, no intente reparar el cilindro de suministro de aire. Contacte Tippmann Sports, LLC, a su distribuidor local o a un Airsmith certificado "C5".

## Almacenaje

Antes del almacenamiento, siga el retiro de la revista, cargando, y descargando instrucciones sobre página 7 y instrucciones de retiro de cartucho de CO2 sobre página 8 (sobre página 21 para señaladores con un adaptador de línea remoto instalado). No guarde un señalador con ninguno de lo siguiente instalado:

- 12 Gramos de aire/CO2 cartucho de suministro (perforado o no perforado)
- Cilindro de Aire/CO2
- Magazine

Almacenar el magazine vacío, con el balón en su posición superior.

Ponga su marcador en la posición de seguro (PUSH SAFE - ver página 3) e instale el mecanismo de bloqueo del Cañón (ver página 1). Usted debe almacenarlo en un lugar seco. Antes de almacenarlo asegúrese que el marcador este limpio y lubricado (ver limpieza y mantenimiento en la página 9).

Cuando saque de nuevo su marcador, que el botón de seguridad se encuentre activado (en la posición de seguro (PUSH SAFE) - ver página 3 y asegúrese que el mecanismo de bloqueo del Cañón este instalado (ver página 1).



# Especificaciones

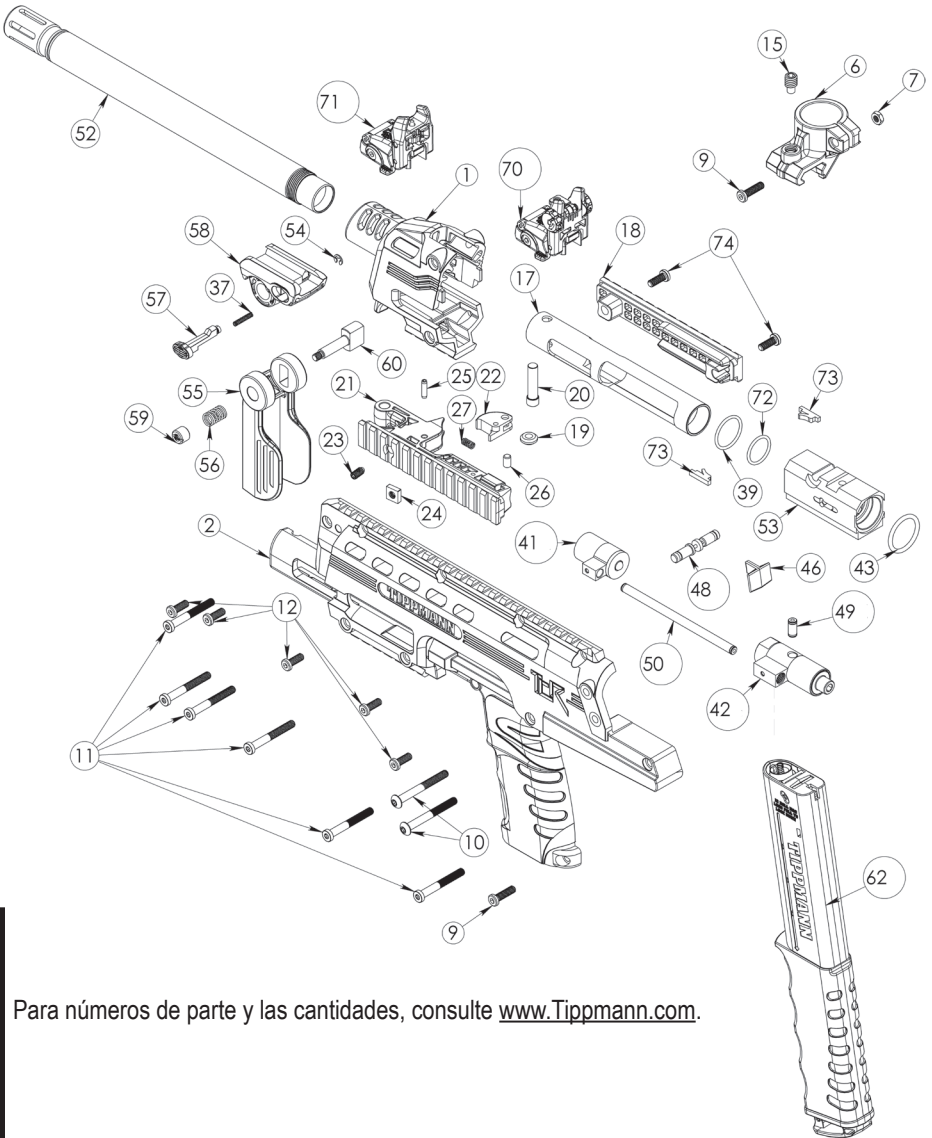
Model.....	TIPPMANN® TCR®
Calibre .....	.68
Acción.....	tornillo abierto soplado-para adelante
Potencia / suministro de aire .....	Aire comprimido, Nitrógeno o cilindro de CO2
Cartucho .....	12 gramos CO2
Disparos por cartucho de 12 gramos .....	aproximadamente 24
Bolas-Alimente .....	Magazine de TCR® (alimentador del resorte)
Capacidad de Magazine de balas .....	12 Bolas de pintura
Capacidad de Magazine de balas .....	7 Bolas de pintura
Ciclo.....	1 presión sobre el gatillo = 1 disparo
Longitud estándar del Cañón .....	11" / 28 cm
Longitud (con Cañón estándar, cubierta completamente colapsada) .....	21" / 53 cm
Longitud (con Cañón estándar, cubierta totalmente extendida) .....	24" / 61 cm
Peso (sin el cartucho de 12 gram CO2 o Bolas de pintura) .....	4.5 lbs. / 2 kg
Rango de efectividad.....	150+ ft. / 46+ m
Velocidad .....	Ajustable

Siempre mida la velocidad de su marcador, antes de iniciar su sesión de juego y nunca dispare usando velocidades superiores a (300 pies) 92 metros/segundos (ver página 8).



by **TIPMANN®**

# Parts Diagram

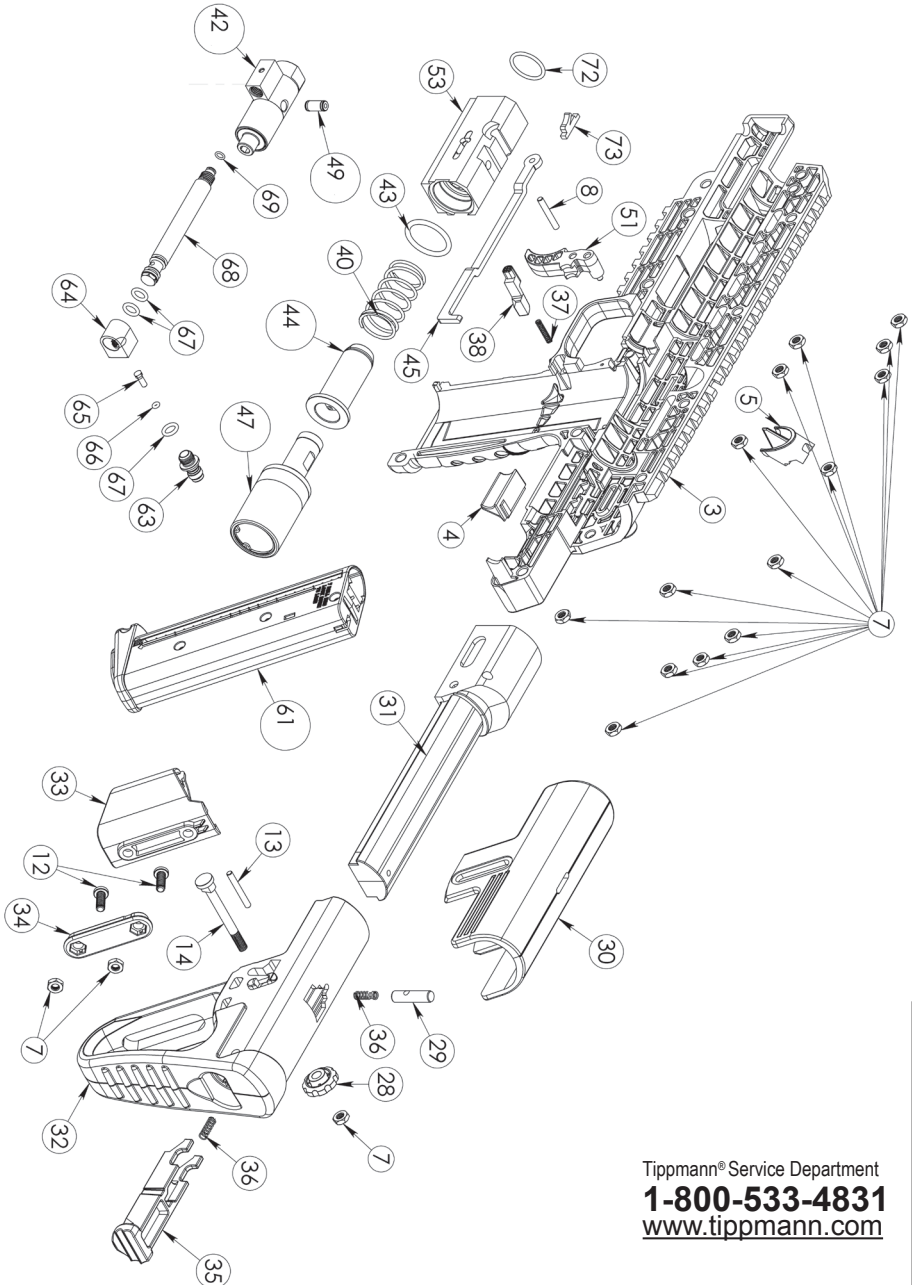


Para números de parte y las cantidades, consulte [www.Tippmann.com](http://www.Tippmann.com).

# **⚠ WARNING**

**Do not disassemble this marker while it is pressurized.  
Do not pressurize a partially assembled marker.**

Para números de parte y las cantidades, consulte [www.Tippmann.com](http://www.Tippmann.com).



Tippmann® Service Department  
**1-800-533-4831**  
[www.tippmann.com](http://www.tippmann.com)

## Partes de Marcador TCR

ITEM NO.	DESCRIPCIÓN
1	Recibidor, frontal
2	Recibidor, izquierdo
3	Recibidor, derecho
4	Ajuste del regulador Receptor Insertar
5	Tapón del Codo de Alimentación
6	Codo de Alimentación
7	Tuerca #10-32 X 5/16
8	Pasador del gatillo
9	Tornillo, LSHSCS 10-32 X 0.675"
10	Tornillo, 10-32 X 1.75, Button Head
11	Tornillo, 10-32 X 1.5 LSHSCS
12	Tornillo, LHSC #10-32 X 0.500"
13	Pasador
14	Tornillo, 10-32 X 1.8
15	Juego de tornillo, 5/16 - 18
17	Vivienda CO2
18	Riel Picatinny, CO2 No salir
19	Rodillo de leva, CO2
20	Pasador con reborde 1" X .250
21	Riel Picatinny, CO2 Salir
22	Soporte del rodillo de leva
23	Juego de tornillo, 10-32 UNF 1/2
24	Tuerca cuadrada #10-32
25	Pasador de Resorte .125 Dia X .5 Long
26	Pasador .1875 Dia X .3125
27	Resorte, 0.385" F.L. X 0.175" O.D.
28	Tuerca de palomilla de plástico
29	Pasador Culata Plegable
30	Mejilla Descanso ajustable
31	Tubo Stock Colapsible
32	Stock Colapsible
33	Titular de Magazine
34	Sujetador de anclaje
35	Liberador del Stock Colapsible
36	Resorte, 0.600"FI X 0.172"O.D.
37	Resorte, 0.625"FI X 0.119"Od
38	Liberador del Magazine
39	Empaque
40	Resorte, 2.70" F.L. X 0.834" O.D.

## Partes de Marcador TCR

ITEM NO.	DESCRIPCIÓN
41	Conjunto de la Válvula de Punción Integrado
41.1	Cuerpo Valvula Perforadora
41.2	Piston Perforado
41.3	1/2" Anillo de Retención
41.4	Empaque perforador
41.5	Resorte, 0.500" F.L. X 0.469" O.D.
41.6	Empaque
41.7	Pasador Perforador
41.8	Soporte de junta
41.9	Pasador de la tapa perforadora
41.10	Resorte, 0.385" F.L. X 0.175" O.D.
41.11	Tapón, 7/64 cojinete a bolas
42	Ensamble del Regulador Integrado
42.1	Cuerpo Regulador Integrado
42.2	Tapa de ajuste del Regulador
42.3	Resorte, 0.600" F.L. X 0.161" O.D.
42.4	Resorte, 0.500" F.L. X 0.198" O.D.
42.5	Empaque guia de liberacion de presion
42.6	Resorte, 0.600" F.L. X 0.526" O.D.
42.7	Juego de tornillo liberacion de presion
42.8	Asiento del pasador del regulador
42.9	Pasador de Regulador
42.10	Disco del desgaste
42.11	Tapa del Regulador
42.12	Piston Regulador
42.13	Tapón, 7/64 cojinete a bolas
43	Empaque
44	Ensamble del TCR Tornillo Frontal
44.1	Tapón del Tornillo Frontal
44.2	Cuerpo Tornillo Frontal
44.3	Empaque
45	Enganche Accionador
46	Accionador del Magazine
47	Valvula de Aire
47.1	Cuerpo Valvula de Aire
47.2	Tubo de potencia
47.3	Empaque
47.4	Empaque
47.5	Resorte

Para números de parte y las cantidades, consulte [www.Tippmann.com](http://www.Tippmann.com).

<b>Partes de Marcador TCR</b>	
<b>ITEM NO.</b>	<b>DESCRIPCIÓN</b>
47.6	Ensamble de Valvula de Disparo
47.6.1	Cuerpo valvula de disparo
47.6.2	Empaque
47.6.3	Pasador Accionador
47.6.4	Pasador Guia valvula de disparo
47.6.5	Valvula aisladora de cruce
47.7	Tapa Valvula de Aire
47.8	Amortiguador
47.9	15/16" Anillo de Retención
47.10	Empaque
47.11	Valvula bobina
47.12	Tornillo, SHCS #4-40 X 9/32"
47.13	Empaque
47.14	Tornillo Frontal
47.15	Tornillo tapa del paragolpes
48	Ensamble de Seguro
48.1	Pasador de Seguro
48.2	Empaque
48.3	Empaque
49	Ensamble de Linea de gas (Corto)
49.1	Linea de gas (Corto)
49.2	Empaque 0.150" I.D. X 0.037" C.S.
50	Ensamble de Linea de gas (Largo)
50.1	Linea de gas (Largo)
50.2	Empaque 0.150" I.D. X 0.037" C.S.
51	Gatillo
52	Cañón, 11"L, las roscas 7/8-20
53	Adaptador Cañón, Forma de D
54	Anillo de Retención, Forma de E 5/32"
55	Mango plegable Vertical
56	Resorte, 0.741"F.L. X 0.352" O.D.
57	La retención, Mango Vertical
58	Base, Mango Vertical
59	Tuerca, Tornillo forma de T
60	Tornillo forma de T

<b>Partes de Marcador TCR</b>	
<b>ITEM NO.</b>	<b>DESCRIPCIÓN</b>
61	7 Bolas Magazine
61.1	La Mitad Derecha
61.2	La Mitad Izquierda
61.3	Tornillo, #4 X 5/8" negro
61.4	La Cubierta del Cargador
61.5	Resorte de la Palanca
61.6	El Acople de Enganche del Magazine
61.7	Resorte, 0.600"FI X 0.172"O.D.
61.8	Resorte, 6.125" F.L., 0.594" O.D.
61.9	La Palanca del Cargador
61.10	Ensamble del Cargador de Bolas
61.10.1	El Cargador de Bolas
61.10.2	insertar
61.10.3	Resorte, 1.00" F.L. X 0.156" O.D.
62	Magazine extendida, 12 bolas
62.1	La Mitad Izquierda Mag Ext
62.2	La Mitad Derecha Mag Ext
62.3	El Acople de Enganche del Magazine
62.4	La Cubierta del Cargador
62.5	Resorte, 10.304"F.L.X0.594"O.D.
62.6	Resorte, 0.600"FI X 0.172"O.D.
62.7	Resorte, Hopper Lid
62.8	La Palanca del Cargador
62.9	Tornillo, #4 X 5/8" negro
62.10	El Cargador de Bolas Complete Mag Ext
63	1/8" Conjunto boquilla de llenado
64	Base giratoria
65	Válvula de retención
66	Empaque
67	Empaque
68	Boquilla de llenado roscado Extensión
69	Empaque
70	Vista trasera
71	Vista frontal
72	Empaque
73	Acople de Enganche (TCR)

Para números de parte y las cantidades, consulte [www.Tippmann.com](http://www.Tippmann.com).

## Información de Garantía y Reparación

TIPPMANN SPORTS, LLC (“Tippmann”) esta comprometida con productos de calidad para paintball y destacado servicio. En una improbable eventualidad que se presente algún problema con este marcador (“Marcador”) para paintball Tippmann y/o accesorios (“Accesorios”) el personal de servicio al cliente de Tippmann están disponibles para asistirle. Para servicio al cliente y/o otra información, porfavor contacte:

### **Tippmann Sports, LLC**

2955 Adams Center Road

Fort Wayne, IN 46803

[www.Tippmann.com](http://www.Tippmann.com)

1-800-533-4831

### **Tippmann Sports Europe, SPRL**

Rue du Mont D’Orcq 16

Z.I. Tournai Ouest, 7503 Froyennes, Belgium

[www.Tippmann.com](http://www.Tippmann.com)

Telephone +32 (0) 69 549 578

## Registro de Garantía

Para activar la Garantía Limitada de su Marcador, usted debe registrar su Marcador durante los treinta (30) días apartir de la fecha de su compra, mediante:

1. Registro en línea en [www.tippmann.com](http://www.tippmann.com);
- o
2. Diligenciando la tarjeta de garantía adjunta y enviandola a la dirección de Tippmann que se dio arriba.

La Garantía Limitada para Accesorios Tippmann no requiere de registro o activación; cuando usted realiza la el registro de su Marcador, ya ha activado la garantía de los Accesorios.

## Garantía Limitada

Tippmann le garantiza al comprador original que hara todo tipo de repaciones o reemplazos necesarios para corregir algún defecto en los materiales o mano de obra sin costo, en su Marcador por un periodo de dos (2) años desde la fecha de su compra. Es mas Tippmann le garantiza al comprador original que hará toda reparación necesaria o reeplazos necesarios para corregir defectos en partes o mano de obra, sin costo para usted, Para Accesorios Tippmann por un periodo de (90) días desde el día de la compra. Todo lo que Tippmann le pide es que haga el mantenimiento apropiado y cuide su Marcador y sus Accesorios ( colectivo, el “Producto”) y que usted tiene garantía de reparación realizada por Tippmann o por centros de servicio técnico certificados por Tippmann.

Esta Garantía Limitada no puede ser transferida y no cubre daños o defectos a los Productos causados por (a) mantenimiento inadecuado, (b) alteraciones o modificaciones; ( c ) reparaciones no autorizadas; (d) accidentes; (e) abuso o uso inadecuado; (f) descuido o negligencia; y/o (g) desgaste normal o ruptura.

Tippmann no autoriza a ninguna persona o representates para asumir o garantizar algún tipo de garantía u obligación con la venta de este Producto.

ESTA ES LA UNICA GARANTÍA EXPLICITA DADA CON LA COMPRA DE ESTE PRODUCTO; CUALQUIER OTRA U OTRAS GARANTÍAS EXPRESADAS SON RECHASADAS. LAS GARANTÍAS IMPLICITAS PARA COMERCIALIZACION Y APTITUD PARA UN PROPOSITO PARTICULAR SON LIMITADAS A LA APLICABILIDAD DEL PERIODO DE LA GARANTÍA LIMITADA POR EL PERIODO ESTABLECIDO Y NINGUNA GARANTÍA EXPRESADA O IMPLICITA, DEBE APLICARSE DESPUES DE LA EXPIRACION DE DICHO PERIODO.

Algunos estados o naciones no permiten limitaciones en la duracion de garantías implícitas, de tal manera la limitación de arriba puede que no se aplique en su caso.

La única y exclusiva responsabilidad de Tippmann y/o sus distribuidores autorizados bajo esta Garantía Limitada debe ser para reparaciones o reemplazo de cualquier parte o ensamble que este defectuoso en sus materiales o en mano de obra. TIPPMANN NO SERA RESPONSABLE POR, Y CON SU RENUNCIA EXPLICITA, POR ALGUNA CONSECUENCIA DIRECTA O INDIRECTA O DAÑOS SECUNDARIOS ("DAÑOS" COLECTIVOS) COMO COSECUENCIA DE LA VENTA O USO DE, O SU INHABILIDAD DE USAR ESTE PRODUCTO. NINGUN PAGO O COMPENSACION SE OTORGARA EN CASO DE DAÑOS REALIZADOS, INCLUYENDO LESIONES PERSONALES O PROPIEDAD O PERDIDAS ECONOMICAS QUE SE PUEDA INCURRIR O SOSTENIDO POR RAZONES DE LA FALLA DE ALGUNA PARTE O ENSAMBLE DE ESTE PRODUCTO.

Algunos estados y naciones no permiten la exclusión o la limitación de daños ocasionales o como consecuencia, entonces la limitación de arriba o la exclusión no se pueda aplicar en su caso. Esta garantía le da unos derechos legales específicos, y usted podría también tener otros derechos que pueden variar de un estado a otro o de una nación a otra.

## **Garantía y Reparaciones Sin Garantía**

Cuando enviar este Producto a Tippmann para garantía o reparación sin garantía:

1. Si usted tiene partes en su Marcador que se adquirieron después de compra, porfavor pruebe su Marcador con partes originales antes de enviarlo el Marcador para servicio o reparación.
2. Siempre descargue y remueva el suministro de aire de su Marcador. No envíe el tanque suministro de aire si no esta completamente vacio.
3. Envíe el producto a la dirección de Tippmann identificada arriba.
4. Usted debe prepagar el costo de envío y sellos postales.
5. Suministre la fecha de compra de su Producto.
6. Brevemente describa que tipo de reparación requiere.
7. Incluya su nombre, dirección a donde desea que se le envíe el producto y teléfono en cual se le pueda localizar durante horas de oficina, si es posible.

Tippmann hará todos lo necesario para hacer la reparación en (24) veinticuatro horas desde que se recibe el producto. Tippmann le reenviara el Producto usando el servicio de UPS tierra. Si usted desea que se envíe el producto usando un serviomas rápido, usted puede solicitarlo podria ser entrega UPS AEREO DIA SIGUIENTE O UPS AEREO SEGUNDO DIA, pero usted deber cubrir los costos de este servicio por lo tanto debe incluir el número de su tarjeta de crédito incluyendo la fecha de expiración. La diferecia en el costo del envío inicial por tierra sera aplicado a su tarjeta de credito.

• *NOTES* • *NOTAS* •





**TIPPMANN**

2955 ADAMS CENTER ROAD  
FT. WAYNE, IN 46803 USA

Warranty Registration online at [www.tippmann.com](http://www.tippmann.com)  
or complete this warranty card and mail to Tippmann®.

Tippmann Tactical Compact Rifle - TCR

Serial Number:

Purchased from

Date

City

State

Zip

Country

Your Name (print)

Age

Male

Female

Address

City

State

Zip

Country

Phone #

E-mail



# TIPPMANN®

2955 ADAMS CENTER ROAD  
FT. WAYNE, IN 46803 USA

L'inscription de Garantie sur l'Internet à [www.tippmann.com](http://www.tippmann.com) ou complétez la carte de d'inscription et l'envoyez à Tippmann®.  
Registro de Garantía via On line a [www.tippmann.com](http://www.tippmann.com) o complete esta tarjeta de garantía y envíela por correo regular a Tippmann®.

## Tippmann Tactical Compact Rifle - TCR

Numéro Sériel  
Número de Serie

Acheté du  
Nombre comprador

Date  
Fecha

Ville  
Ciudad

État  
Estado

Code Postale  
Código Postal

Pays  
País

Voire nom  
Nombre (letra de molde)

Âge  
Edad

Mâle  
Hombre

Femelle  
Mujer

Adresse  
Dirección

Ville  
Ciudad

État  
Estado

Code Postale  
Código Postal

Pays  
País

No. de téléphone  
Teléfono

E-mail



