




TIBERIUS ARMS TECHNICAL MANUAL

TIBERIUS T4

PAT# 6,892,718 PAT# 6,701,909 PAT# 6,470,872 & PATENTS PENDING
TIBERIUSARMS.COM

 **WARNING:** This is not a toy. Misuse may cause serious injury or death. Eye protection designed specifically for paintball must be worn by the user and persons within range. Recommend 18 years or older to purchase. Persons under 18 must have adult supervision. READ OWNER'S MANUAL BEFORE USING.

WARNINGS

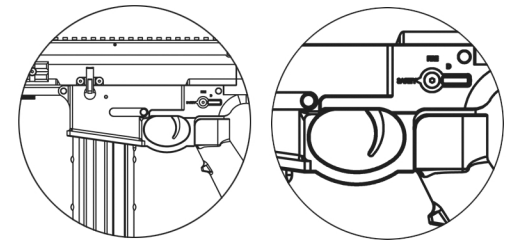
- Treat every marker as if loaded.
- Never look down barrel of a paintball marker.
- Keep finger off trigger until ready to shoot.
- Never point marker at anything you do not wish to shoot.
- Keep barrel blocking device in or on marker's muzzle when not shooting.
- Always remove paintballs and propellant source before disassembling.
- After removing propellant source, point marker in safe direction and discharge until marker is degassed.
- Store marker unloaded and degassed in secure place.
- Follow warnings listed on propellant source for handling and storage.
- Do not shoot at fragile objects such as windows.
- Every person within range must wear eye, face and ear protection designed specifically to stop paintballs.

WARRANTY

Tiberius Arms products are crafted with the finest materials and designed for trouble-free performance. Tiberius Arms warrants this product to be free from defects in materials and workmanship for a period of one year from the date of purchase by the original owner. Unauthorized modifications, alterations, neglect or abuse of this product voids this warranty. The warranty only covers the parts and labor required to repair the product to proper working order. Tiberius Arms takes great pride in its products and service. Please contact us with any questions or concerns.

SAFETY

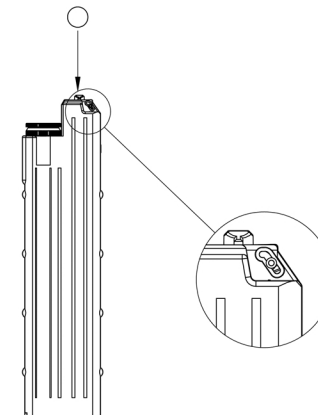
Safety switch is located on the right side just behind the trigger.



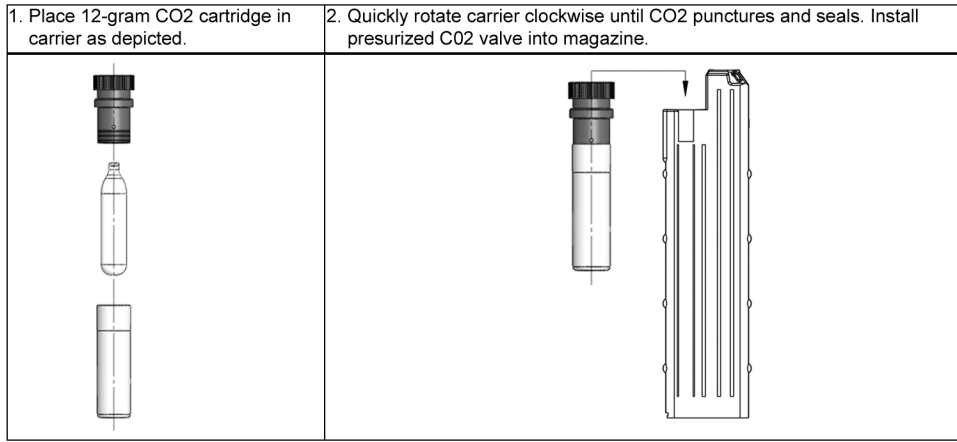
LOAD PAINT

Push projectiles into the magazine.

Note: You do not need to pull retention bar back to load.



LOAD CO2



LOAD MAGAZINE

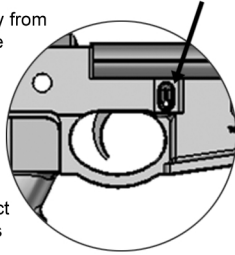
Orient magazine as shown and insert **firmly** into handle until it clicks and locks into place.



IMPORTANT: If magazine does not insert on first attempt, remove it **completely** and reinsert.

RELEASE MAGAZINE

With the barrel facing away from you, depress the magazine release button.

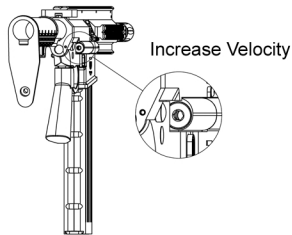


When there is CO2 in the canister, magazine will eject from handle. When there is no CO2, you must pull the magazine free.

SET VELOCITY

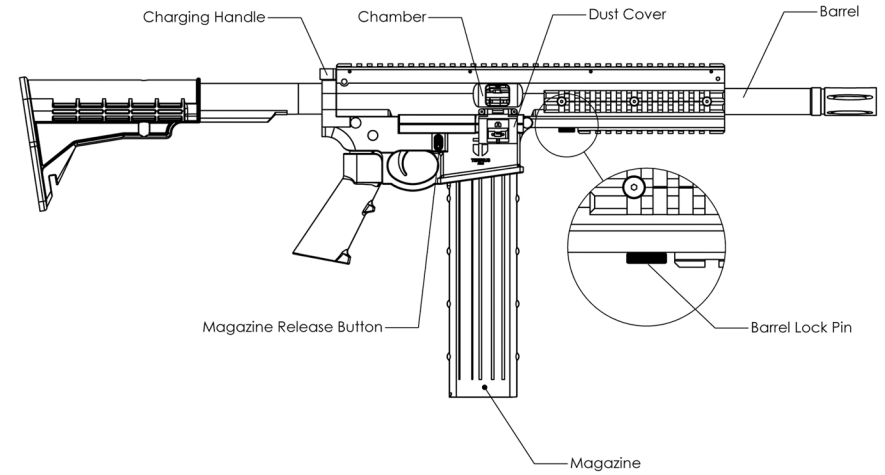
1. Insert a 3/16" Allen wrench as depicted.
2. To increase velocity, turn clockwise. To decrease velocity, turn counter-clockwise.
3. Fire once to clear chamber after each adjustment, then measure velocity of the second shot.

Safety Tip: Always measure marker's velocity before playing paintball. Never shoot at velocities in excess of 300 ft/s (91.44 m/s). Recommended velocity is 270 ft/s.

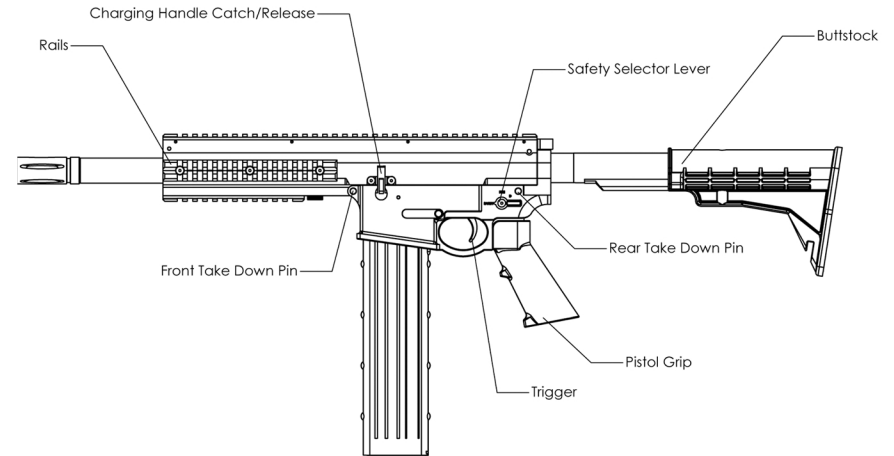


TIBERIUS T4 OVERVIEW

RIGHT

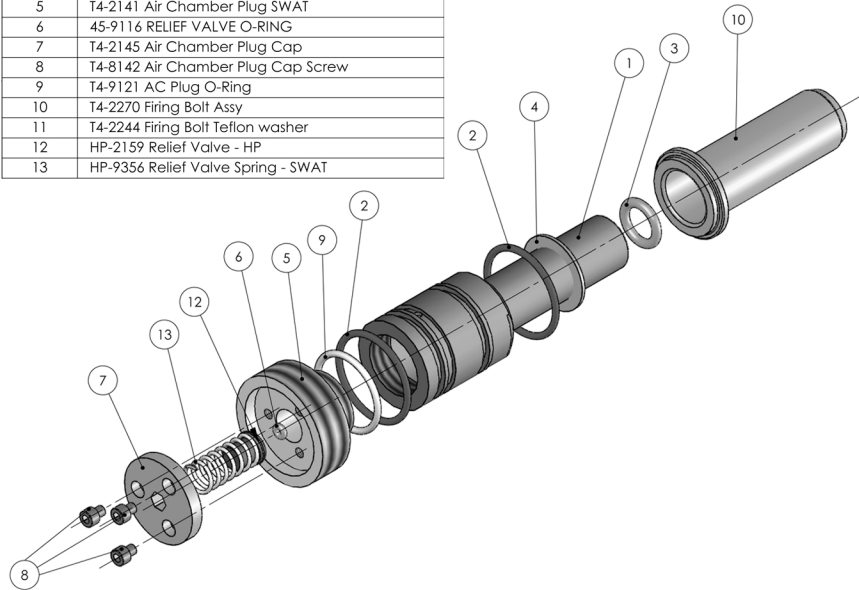


LEFT



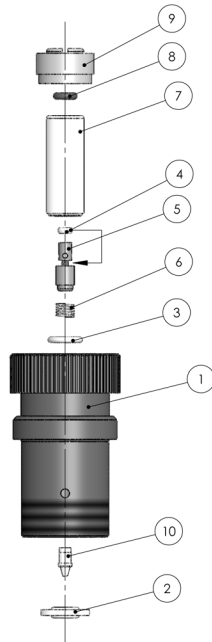
ENGINE & FIRING BOLT ASSEMBLY

ITEM NO.	PART NUMBER
1	T4-2144 Air Chamber SWAT
2	MR-9117 AIR CHAMBER OD O-RING
3	45-9101 110-P70 ORNG
4	45-2107 AC Shock Absorber
5	T4-2141 Air Chamber Plug SWAT
6	45-9116 RELIEF VALVE O-RING
7	T4-2145 Air Chamber Plug Cap
8	T4-8142 Air Chamber Plug Cap Screw
9	T4-9121 AC Plug O-Ring
10	T4-2270 Firing Bolt Assy
11	T4-2244 Firing Bolt Teflon washer
12	HP-2159 Relief Valve - HP
13	HP-9356 Relief Valve Spring - SWAT



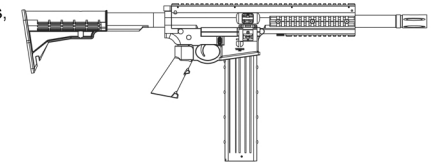
CO2 VALVE HOUSING

ITEM NO.	PART NUMBER
1	T4-3241.5 CO2 Valve Housing
2	T4-3245 CO2 Seal SWAT
3	45-9114 CO2 BUSHING O-RING
4	45-9110 CO2 VALVE O-RING
5	T4-3243 CO2 Valve
6	T4-9345 CO2 VALVE SPRING
7	T4-3242 CO2 Valve Bushing
8	45-9109 CO2 HOUSING O-RING
9	T4-3244 CO2 Valve Housing CAP SWAT
10	81-3206 CO2 Puncture Tip



REMOVE BARREL

IMPORTANT: Before performing any of the following instructions, remove magazine. Point marker in safe direction and discharge until degassed.



1. Remove magazine.
2. To remove barrel, press inward, rotate counterclockwise and release. Barrel will slide out.

MAINTENANCE

IMPORTANT: Before performing any of the following instructions, remove magazine. Point marker in safe direction and discharge until degassed.

For optimum performance, do the following monthly:

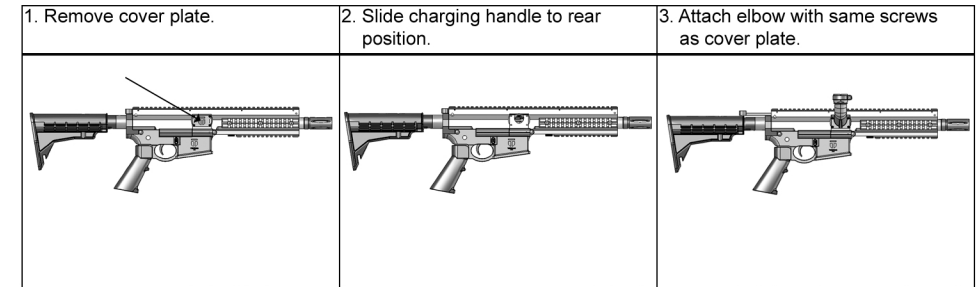
1. Place three drops of oil between trigger release and trigger rotator.
2. Place three drops of oil in velocity adjuster hole.
3. Place two drops of oil (aiming toward center pin) in each of the airflow openings in the bolt.
4. Place one drop of oil on CO2 o-ring found at top of CO2 valve in magazine.



NOTE: See oil drop symbols on parts diagram.

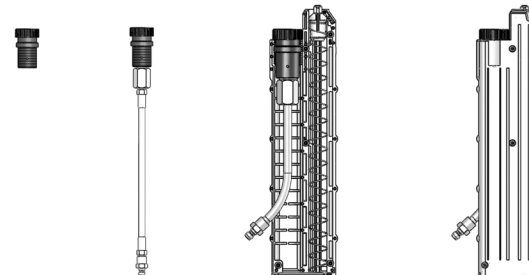
TIBERIUS T4

CONVERT TO HOPPER



CONVERT TO REMOTE AIR LINE

1. Remove CO2 valve.
2. Replace with remote line adapter.

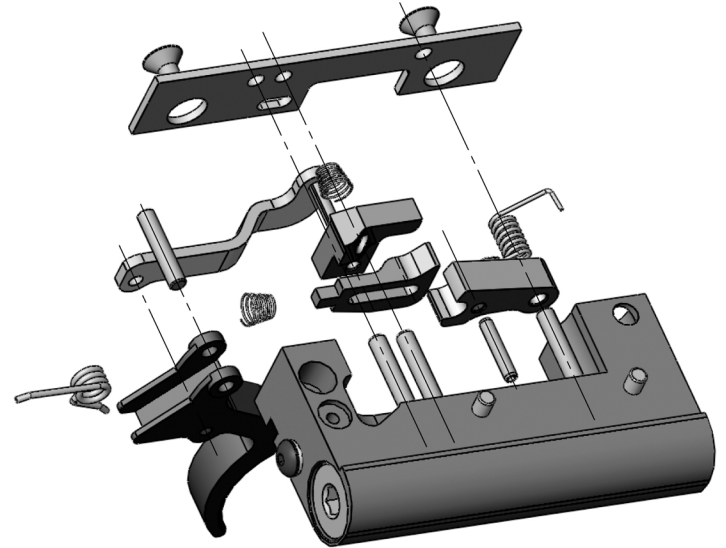




TIBERIUS ARMS PARTS DIAGRAMS

TIBERIUS T4

REGULATOR



MAGAZINE

ITEM NO.	PART NUMBER
1	T4-3141.1 Magazine (Left)
2	T4-3141.2 Magazine (Right)
3	T4-9343 Mag. Ball Retainer Spring
4	45-9206 Mag Ball Retainer Pin
5	45-3112 Retainer Pin Cap
6	T4-3144 Mag ball pusher asm
7	T4-9348.7 Magazine Spring SWAT
8	T4-3142 Magazine Base sliding base
9	T4-3200 CO2 Valve Assy SWAT

