



# TIBERIUS ARMS TECHNICAL MANUAL

## TIBERIUS T8.1

PAT# 6,892,718 PAT# 6,701,909 PAT# 6,470,872 & PATENTS PENDING  
TIBERIUSARMS.COM



### WARNING:

This is not a toy. Misuse may cause serious injury or death. Eye protection designed specifically for paintball must be worn by the user and persons within range. Recommend 18 years or older to purchase. Persons under 18 must have adult supervision. READ OWNER'S MANUAL BEFORE USING.

### WARNINGS

- Treat every marker as if loaded.
- Never look down barrel of a paintball marker.
- Keep finger off trigger until ready to shoot.
- Never point marker at anything you do not wish to shoot.
- Keep barrel blocking device in or on marker's muzzle when not shooting.
- Always remove paintballs and propellant source before disassembling.
- After removing propellant source, point marker in safe direction and discharge until marker is degassed.
- Store marker unloaded and degassed in secure place.
- Follow warnings listed on propellant source for handling and storage.
- Do not shoot at fragile objects such as windows.
- Every person within range must wear eye, face and ear protection designed specifically to stop paintballs.
- Ensure the top face of the sear and outer rim of the firing bolt are free of oil, grease, or contaminants.

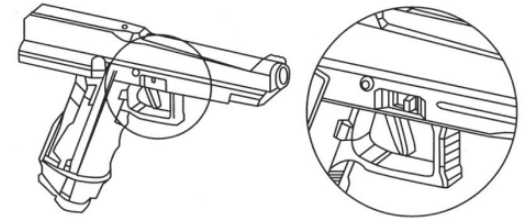
### WARRANTY

Tiberius Arms products are crafted with the finest materials and designed for trouble-free performance. Tiberius Arms warrants this product to be free from defects in materials and workmanship for a period of one year from the date of purchase by the original owner. Unauthorized modifications, alterations, neglect or abuse of this product voids this warranty. The warranty only covers the parts and labor required to repair the product to proper working order. Tiberius Arms takes great pride in its products and service. Please contact us with any questions or concerns.

### SAFETY

Safety switch is located in window above trigger, and is accessible from either side of marker.

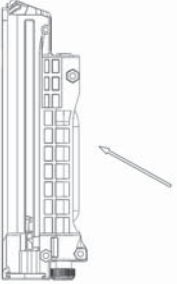

When safety window is red, the safety is off and the marker will fire. When safety window is black, the safety is on and the marker will not fire.



### LOAD PAINT

1. Load (8) .68 caliber paintballs or first strike projectiles.	2. Turn to lock pusher in down position.	3. Leave ball pusher locked in down position. It will automatically release when inserted into marker.

## LOAD CO2

1. Place 12-gram CO2 cartridge in magazine as depicted.	2. Quickly rotate the puncture knob clockwise until CO2 punctures and seals. You may hear a small burst of air just before it seals.
	

## NOTES:

## LOAD MAGAZINE

Orient magazine as shown and insert **firmly** into handle until it clicks and locks into place.

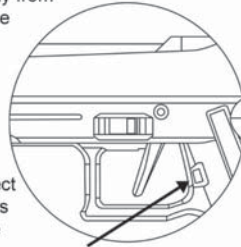
**IMPORTANT:** If magazine does not insert on first attempt, remove it **completely** and reinsert.



## RELEASE MAGAZINE

With the barrel facing away from you, depress the magazine release button.

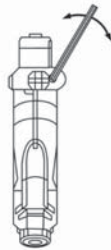
When there is CO2 in the canister, magazine will eject from handle. When there is no CO2, you must pull the magazine free.



## SET VELOCITY

1. Insert a 3/16" Allen wrench as depicted.
2. To increase velocity, turn clockwise. To decrease velocity, turn counter-clockwise.
3. Fire once to clear chamber after each adjustment, then measure velocity of the second shot.

**Safety Tip:** Always measure marker's velocity before playing paintball. Never shoot at velocities in excess of 300 ft/s (91.44 m/s). Recommended velocity is 270 ft/s.



## RELIEF VALVE

Relief valve is preset at the factory and is not user servicable. Consult factory or authorized service center for assistance.

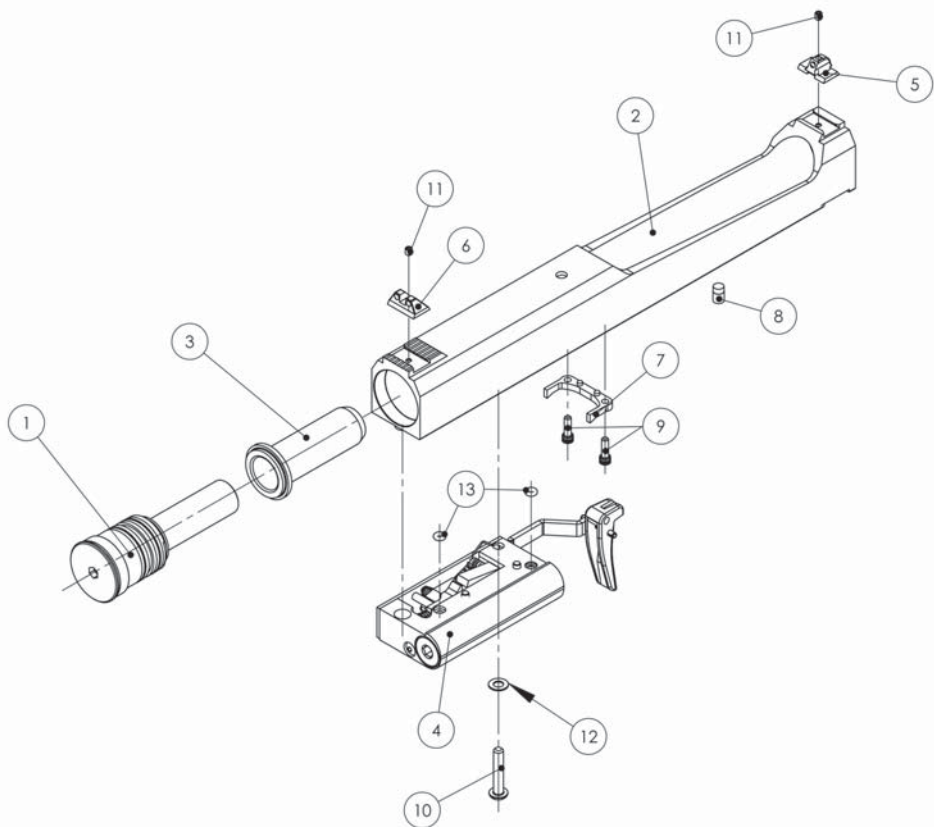
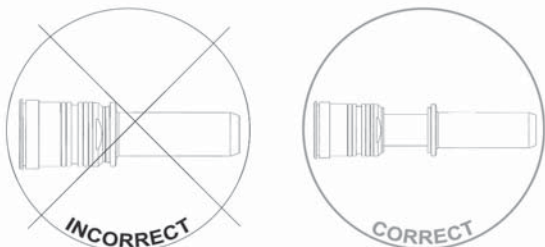
## TIBERIUS T8 GUN BODY ASSEMBLY

ITEM NO.	PART NUMBER
1	81-2100 Engine Asm
2	81-2106 Body
3	81-2220 Firing Bolt Assembly
4	81-2400 Trigger Body
5	81-2601 FRONT SIGHT
6	81-2602 REAR SIGHT
7	45-2900 Ammo Release Fork
8	81-2901 Barrel Lock
9	45-8106 Release Fork Screws
10	45-8108 Regulator Body Screw
11	45-8112 Sight Screws
12	45-9408 Reg Body Screw Washer
13	81-9115 Gun Body/Reg Body oring

Disassemble trigger group (4) from gun body (2) before removing engine and firing bolt assembly (1). When reassembling, install engine and firing bolt assembly to gun body before installing trigger assembly.

**IMPORTANT:** Whenever separating regulator body (4) from gun body (2), always **PUSH THE BOLT FORWARD** before reassembling. Failure to do so will trap the bolt behind the trigger release and the gun will not fire.

Barrel locks are press-fit to factory specifications. **DO NOT ATTEMPT TO REMOVE.**



## REMOVE BARREL

**IMPORTANT:** Before performing any of the following instructions, remove magazine. Point marker in safe direction and discharge until degassed.

1. Remove magazine.
2. To remove barrel, press inward, rotate counterclockwise and release. Barrel will slide out.



## MAINTENANCE

**IMPORTANT:** Before performing any of the following instructions, remove magazine. Point marker in safe direction and discharge until degassed.

For optimum performance, do the following monthly:

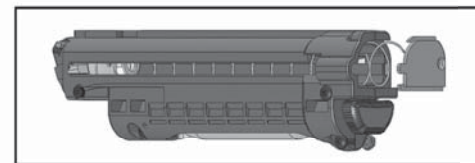
1. Place three drops of oil between trigger release and trigger rotator.
2. Place three drops of oil in velocity adjuster hole.
3. Place two drops of oil (aiming toward center pin) in each of the airflow openings in the bolt.
4. Place one drop of oil on CO2 o-ring found at top of CO2 valve in magazine.



**NOTE:** See oil drop symbols on parts diagram.

## FIRST STRIKE

When using First Strike projectiles make sure the red magazine spring is installed. The silver spring is designed for use with traditional .68 caliber paintballs. While the red spring can be used with traditional .68 caliber paintballs its higher tension increases the risk of the paintballs deforming over time.



Always load First Strike projectiles so rounded nose exits barrel first.



Always chronograph with First Strike before use to ensure velocity is below 300 fps.

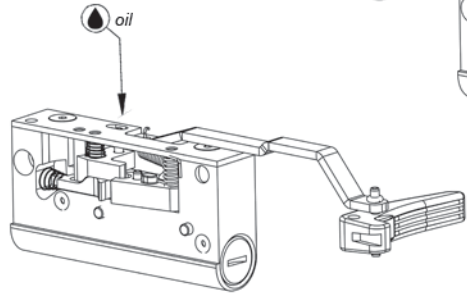
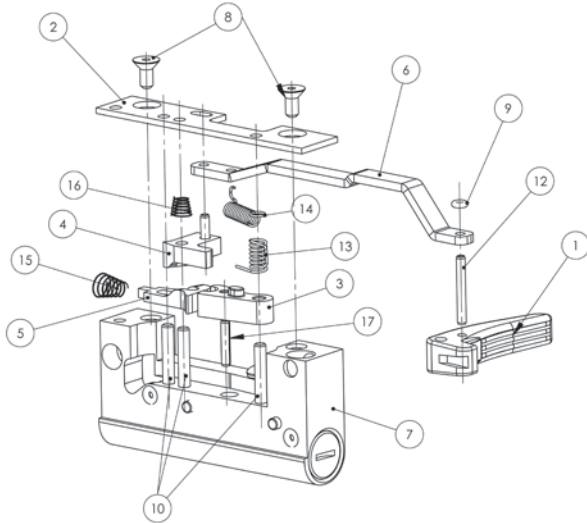


# TIBERIUS ARMS PARTS DIAGRAMS

## TIBERIUS T9/TIBERIUS T8

### TRIGGER GROUP

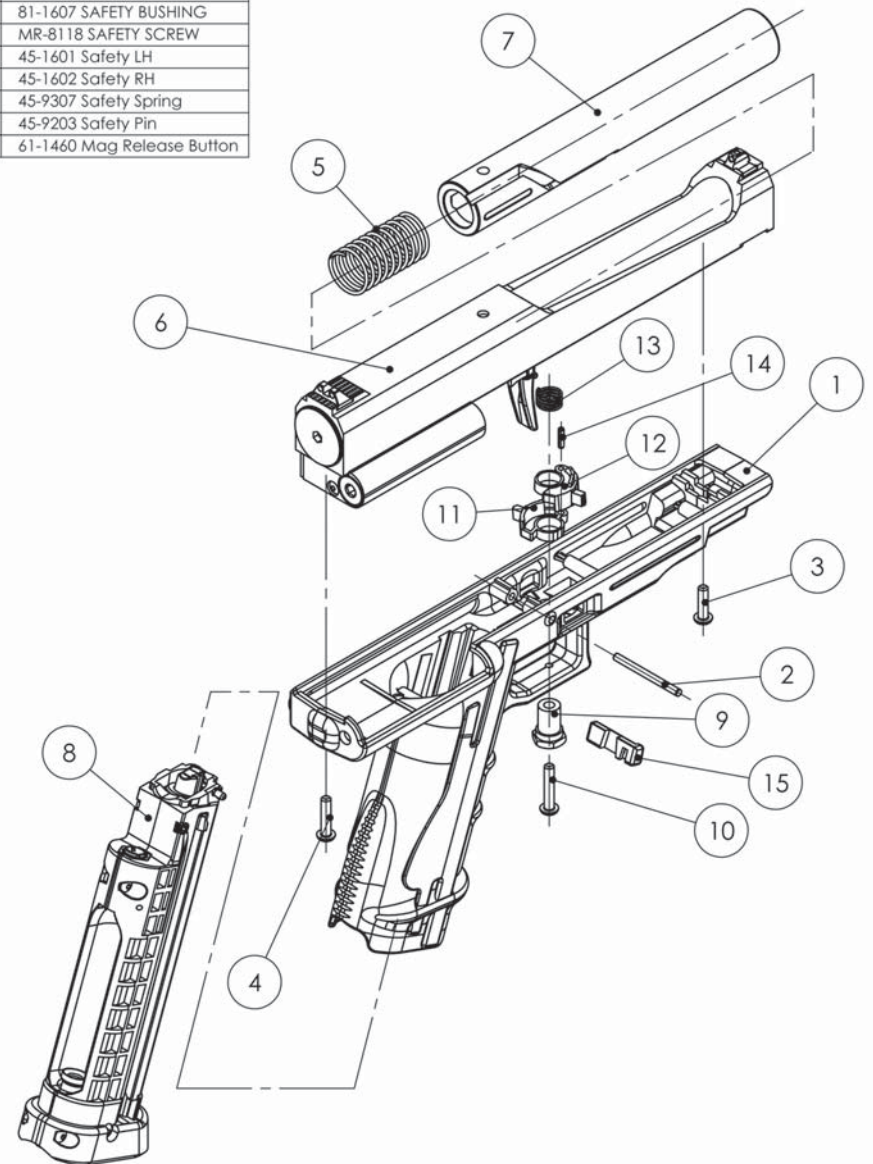
ITEM NO.	PART NUMBER
1	45-1301 Trigger
2	81-2401 Trigger Cover
3	45-2402 Sear
4	45-2404 Rotator
5	45-2405 Release
6	81-2406 PUSH ROD
7	81-2500 Reg Body
8	45-8103 Trigger Plate Screws
9	45-9111 Trigger Retaining oring
10	45-9202 Reg Body pins
12	45-9212 Trigger Spring Pin
13	45-9302 Sear Spring
14	45-9304 Rotator Return Spring
15	45-9310 Release Spring
16	45-9312 Rotator Spring
17	45-9211 Sear Pin



### TIBERIUS 8

ITEM NO.	PART NUMBER
1	81-1000 Handle
2	45-9204 Trigger Pin
3	45-8107 Handle Screw - Front
4	45-8109 Handle Screw - Rear
5	45-9301 Firing Bolt Spring
6	81-2000 Gun Body Asm
7	81-2320 Barrel Asm
8	81-3120 Magazine asm
9	81-1607 SAFETY BUSHING
10	MR-8118 SAFETY SCREW
11	45-1601 Safety LH
12	45-1602 Safety RH
13	45-9307 Safety Spring
14	45-9203 Safety Pin
15	61-1460 Mag Release Button

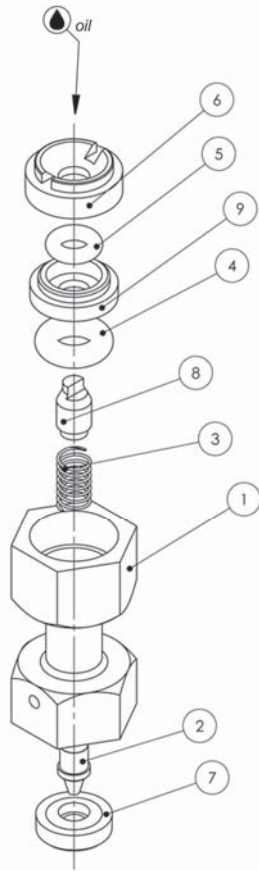
To disassemble, remove screws (3), (4) and (10). Push out pin (12) located by safety. Pull body assembly vertically, starting at the nose.





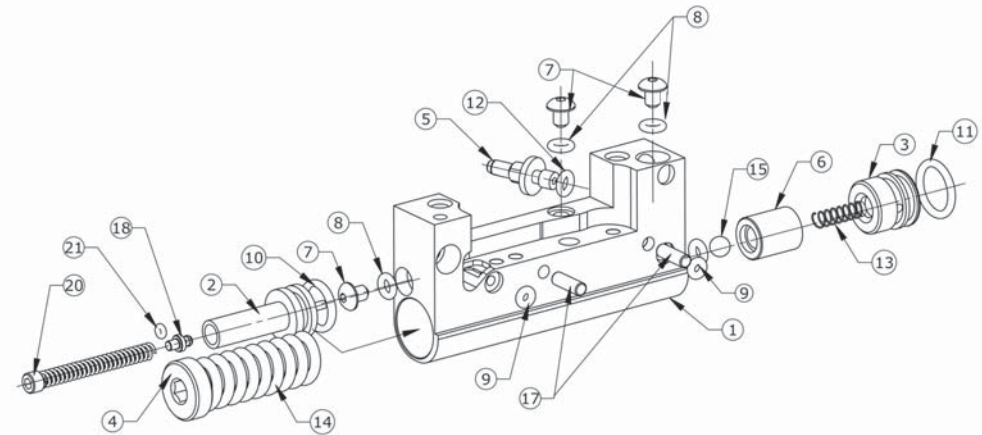
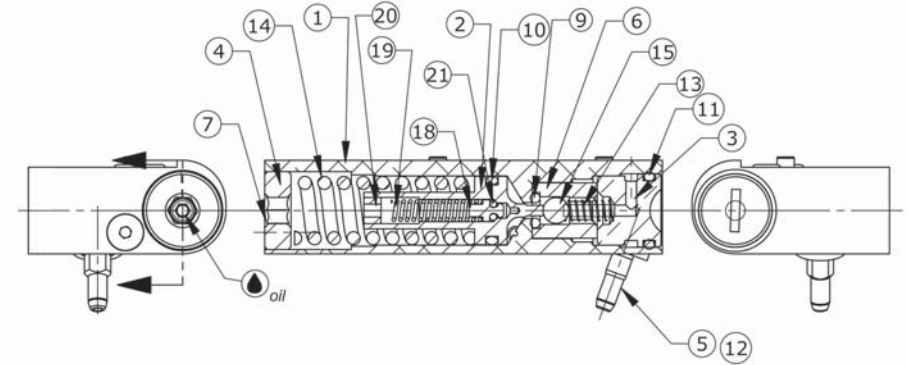
## CO2 VALVE HOUSING

ITEM NO.	PART NUMBER
1	81-3201 CO2 Valve Body
2	81-3206 CO2 Puncture Tip
3	45-9303 Valve Spring
4	81-9119 CO2 HOUSING O-RING
5	45-9109 CO2 HOUSING O-RING
6	81-3214 CO2 Valve Cap
7	81-3205 CO2 Seal
8	81-3203 CO2 Drum Valve
9	81-3213 Valve Spacer



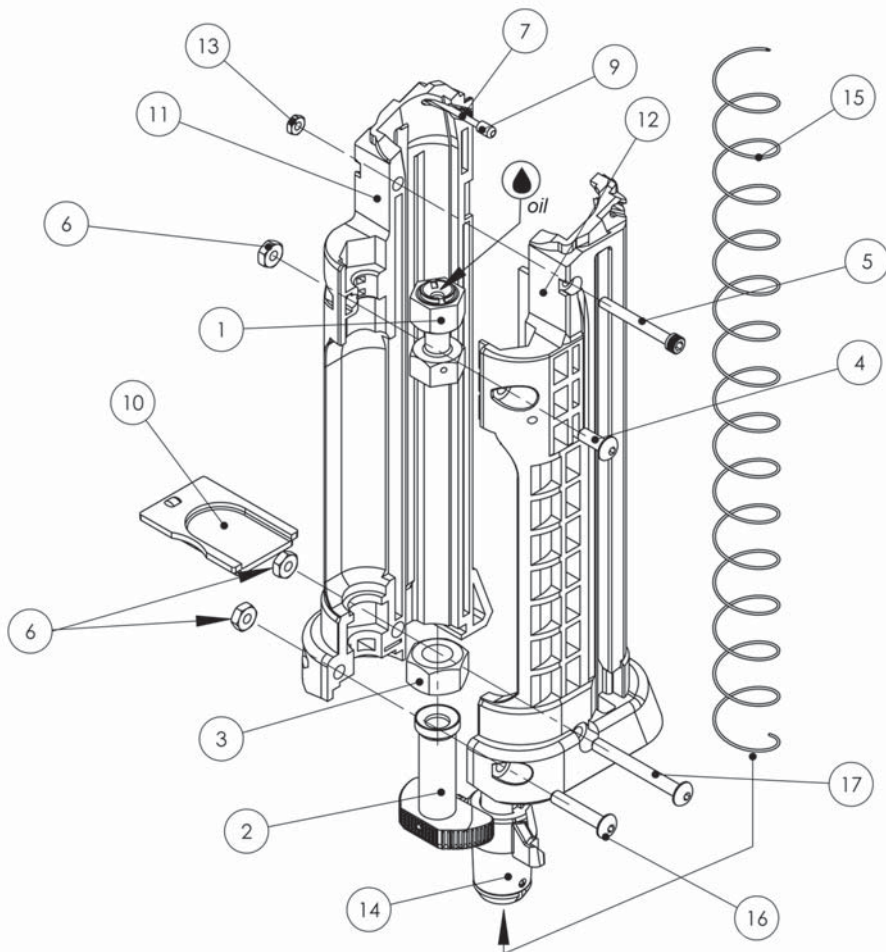
## REGULATOR

ITEM NO.	PART NUMBER
1	81-2501 Reg Body
2	61-2562 Reg Spring Pad
3	81-2505 Reg End Screw
4	45-2506 Reg Adjuster
5	45-2507 CO2 Stem
6	45-2508 Reg Valve Sleeve
7	45-8104 Reg Sealing Screw
8	45-9102 Reg Sealing oring
9	81-9115 Gun Body/Reg Body oring
10	45-9103 Reg Valve Sleeve O-Ring
11	45-9106 End Screw oring
12	45-9107 CO2 Stem oring
13	45-9108 Reg Valve Spring
14	45-9313 Valve Spring
15	45-9305 Reg Spring
16	45-9502 REG VALVE BALL
17	45-9209 Regulator Locator Pin
18	61-2569 Relief Valve
19	61-9366 Relief Valve Spring
20	81-8139 Relief Valve Screw
21	81-9122 Relief Valve oring



## MAGAZINE

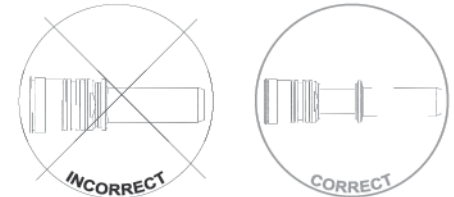
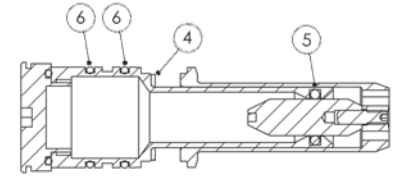
ITEM NO.	PART NUMBER
1	81-3200 Valve Body Asm
2	81-3310 Toolless Base Screw Assm
3	81-8211 CO2 Base Screw Nut
4	81-8178 Magazine Screw - UR
5	81-8177 Magazine Screw - UC
6	81-8212 Magazine Body Nut
7	45-9206 Mag Ball Retainer Pin
8	45-9309 Mag Ball Retainer Spring
9	45-3111 Retainer Pin Cap
10	81-3103 Mag Slide Base
11	81-3121.1 Metal Mag (Left)
12	81-3121.2 Metal Mag (Right)
13	81-8213 Magazine UC Nut
14	81-3114 Ball Pusher asm
15	81-9328 Magazine Spring
16	81-8179 Magazine Screw - LR
17	81-8176 Magazine Screw - LC



## ENGINE & FIRING BOLT ASSEMBLY

ITEM NO.	PART NUMBER
1	81-2101 Air Chamber Plug
2	81-9105 AC Plug oring
3	81-2104 Air Chamber
4	81-2107 AC Shock Absorber
5	45-9101 AIR CHAMBER CAP O-RING
6	81-9104 Air Chamber OD oring
7	81-2221 Firing Bolt
8	81-2202 Firing Pin
9	81-8101 Firing Bolt Set Screw

Note: Do not attempt to disassemble bolt (7) and firing pin (8). The alignment is set by factory fixtures and cannot be reassembled outside the factory.



NOTE: Do not attempt to disassemble the bolt and firing pin. The alignment is factory set using fixtures and can't be reassembled correctly outside the factory.

