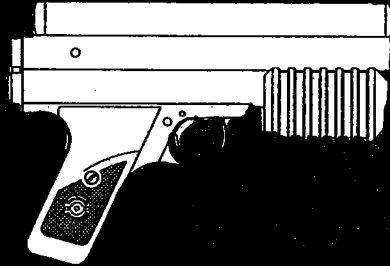




MODEL PGP CO<sub>2</sub> POWERED PAINT BALL GUN  
OWNER'S MANUAL



READ ALL INSTRUCTIONS AND WARNINGS IN THIS  
MANUAL BEFORE USING THIS PAINT BALL GUN.

## CONGRATULATIONS

And thank you for purchasing one of our precision made paint ball guns. We hope you share our enthusiasm for quality products.

Please read this owner's manual completely. And remember, this paint ball gun is not a toy. Treat it with the same respect you would a firearm. Always carefully follow the safety instructions found in this owner's manual and keep this manual in a safe place for future use.

If you have any questions concerning your new paint ball gun, please contact us.

Sincerely,

Benjamin Sheridan Corporation  
Routes 5 & 20  
East Bloomfield, NY 14443



**WARNING:** NOT A TOY. FOR ADULT USE ONLY. MISUSE OR CARELESS USE MAY RESULT IN SERIOUS INJURY (ESPECIALLY TO EYES) OR DEATH. MAY BE DANGEROUS UP TO 200 YARDS (183 METERS).

READ ALL INSTRUCTIONS BEFORE USING.

BUYER AND USER HAVE THE DUTY TO OBEY ALL LAWS ABOUT THE USE AND OWNERSHIP OF THIS PAINT BALL GUN.

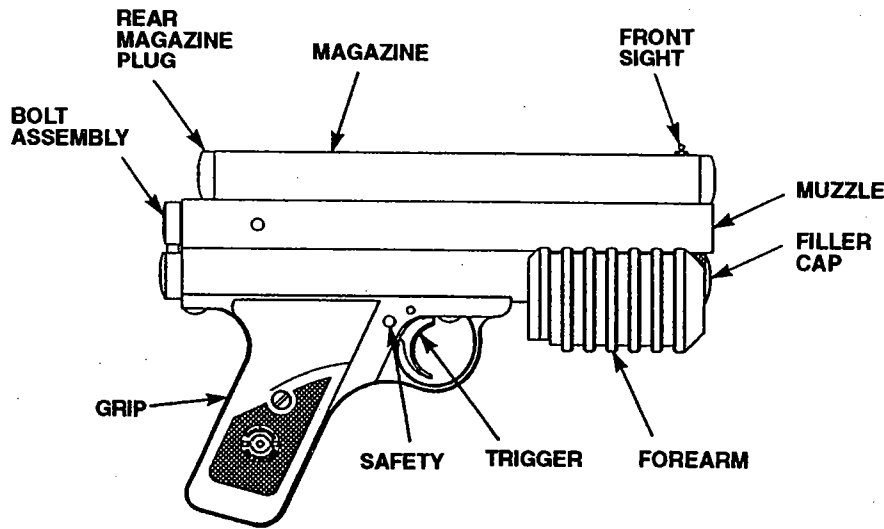
2

## STEPS FOR SAFE SHOOTING

## Page

Step 1. Learning the Parts of Your New Paint Ball Gun.....	4
Step 2. Operating the Safety .....	5
Step 3. Removing and Installing CO <sub>2</sub> Cylinder.....	6
Step 4. Loading and Unloading the Paint Ball Gun.....	9
Step 5. Aiming and Firing Safely.....	13
Step 6. Maintaining Your Paint Ball Gun .....	13
Step 7. Reviewing Safety.....	14

## Step 1. Learning the Parts of Your New Paint Ball Gun

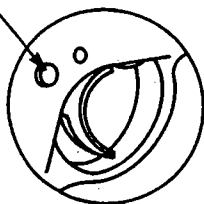


4

## Step 2. Operating the Safety

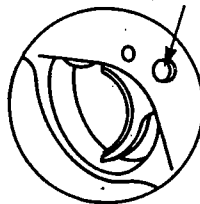
- A. To put the paint ball gun "On Safe", locate the safety in back of the trigger. Push the safety from the left side all the way in (Fig. 1). The safety is not on unless it is pushed all the way in and the red line around the safety is not showing. The paint ball gun will not fire when "On Safe".
- B. Even when the safety is on you should continue to handle the paint ball gun safely. Don't point the paint ball gun at anything you don't intend to shoot.
- C. To take the paint ball gun "Off Safe", push the safety from the right side all the way in. When you can see the red line around the safety, the paint ball gun is "Off Safe" and will fire.

SAFETY BUTTON  
(FLUSH)



FIRE POSITION (RIGHT SIDE)

SAFETY BUTTON  
(FLUSH)



FIRE POSITION (LEFT SIDE)

FIG. 1

**⚠ WARNING: KEEP THE PAINT BALL GUN "ON SAFE" UNTIL YOU ARE ACTUALLY READY TO SHOOT. THEN PUSH IT TO "OFF SAFE".**

### Step 3. Removing and Installing CO<sub>2</sub> Cylinder

**⚠ CAUTION: KEEP HANDS AWAY FROM ESCAPING CO<sub>2</sub> GAS. IT CAN CAUSE FROSTBITE IF ALLOWED TO COME IN CONTACT WITH SKIN.**

#### A. Removing CO<sub>2</sub> Cylinder.

- Unload the paint ball gun. (Step 4B).
- Put paint ball gun "On Safe". (See Step 2).
- Slide the forearm back until the rear engages.
- Hold the paint ball gun in one hand. With the other hand, slowly turn the filler cap counterclockwise, completely allowing the release of remaining CO<sub>2</sub> through the action.
- Pull the filler assembly from the action tube and remove the empty CO<sub>2</sub> cylinder by pointing the muzzle of the paint ball gun down.

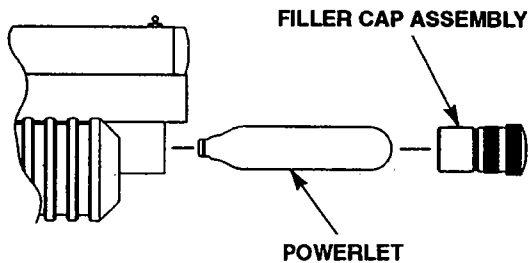


FIG. 2

6

#### B. Installing New CO<sub>2</sub> Cylinder

- Insert the new CO<sub>2</sub> cylinder into the paint ball gun with the small neck of the cylinder into the action tube first. (Fig. 2).
- Replace the filler cap assembly in the action tube. Be sure to screw the filler cap completely into place.
- With paint ball gun unloaded and pointed in a SAFE DIRECTION, take "Off Safe", slide forearm back until sear engages with a click. Push forearm forward to close bolt and pull the trigger. This will pierce the CO<sub>2</sub> cylinder and paint ball gun will be fully charged. If not, repeat cocking and firing the gun until the paint ball gun expels CO<sub>2</sub>.
- Return safety to the "On Safe" position.

28 10 2

**⚠ CAUTION:** BE SURE THE PAINTBALL GUN IS UNLOADED WHEN RELEASING THE CO<sub>2</sub> CHARGE. IF A PAINTBALL IS LEFT IN THE BARREL AND A NEW CYLINDER IS INSERTED AND PIERCED BY COCKING AND PULLING THE TRIGGER, THE PAINTBALL WILL BE EXPELLED. ALWAYS POINT THE PAINTBALL GUN IN A SAFE DIRECTION WHEN CHARGING.

**⚠ CAUTION:** WE RECOMMEND THE USE OF SHERIDAN 12 GRAM CO<sub>2</sub> CYLINDERS. THEY ARE MADE TO FIT THE PGP. OTHER BRANDS OF CO<sub>2</sub> CYLINDERS MAY NOT FIT PROPERLY AND IF YOU FORCE THEM INTO PLACE IT MAY RESULT IN INJURY TO YOU OR DAMAGE TO YOUR PAINT BALL GUN. NEVER TRY TO FORCE ANY CO<sub>2</sub> CYLINDER INTO OR OUT OF PLACE.

**⚠ WARNING:** CO<sub>2</sub> CYLINDERS MAY EXPLODE AT TEMPERATURES ABOVE 120°F. DO NOT MUTILATE OR INCINERATE THEM. DO NOT EXPOSE THEM TO HEAT OR STORE THEM AT TEMPERATURES ABOVE 120°F.

8

#### Step 4. Loading and Unloading Paint Ball Gun

##### A. Loading the Paint Ball Gun

- Put the paint ball gun "On Safe". (See Step 2).
- Remove rear magazine plug and fill magazine with .68 caliber paint balls. (Fig. 3).
- Replace the rear magazine plug in magazine.



FIG. 3

- While holding the gun with the muzzle in the upward position, slide forearm back until sear engages with a click and action stays open. (Fig. 4).
- Push forearm forward and the paint ball will be in the firing position.

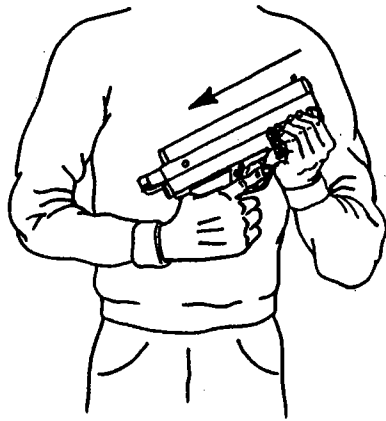


FIG. 4

10

#### B. Unloading the Paint Ball Gun

- Put the paint ball gun "On Safe". (See Step 2).
- Remove rear magazine plug.
- Hold the gun with the muzzle in the upward position and allow the remaining paint balls in the magazine to empty out of the magazine. (Fig. 5).

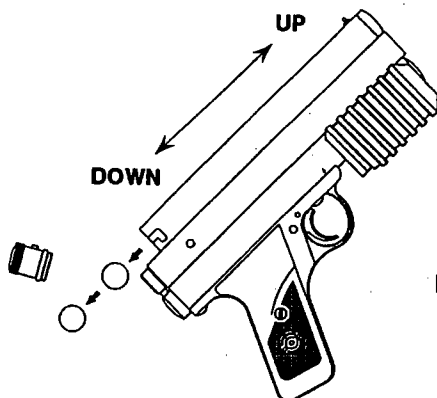


FIG. 5

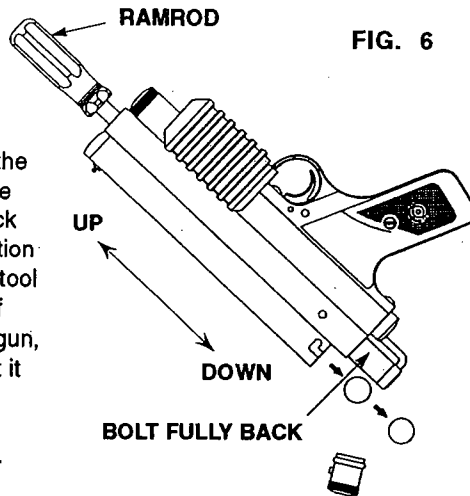


FIG. 6

- To make sure the barrel is clear, hold the gun upside down with the muzzle in the upward position, slide the forearm back until sear engages with a click and action stays open, insert a ramrod or similar tool into the muzzle end of the barrel and if there is a paint ball chambered in the gun, gently push the paint ball back so that it can fall into and out of the magazine. (Fig. 6).
- Don't try to reuse that paint ball again.

**⚠ CAUTION: USE .68 CALIBER PAINT BALLS ONLY AS AMMUNITION. DO NOT USE ANY OTHER TYPE OF AMMUNITION.**

12

### Step 5. Aiming and Firing Safely

- Always aim your paint ball gun in a **SAFE DIRECTION**. When you are sure of your target and the area around the target is clear, take the paint ball gun "Off Safe" and squeeze the trigger to fire.
- The paint ball may bounce off or ricochet if shot at hard surfaces. It is best to wear shooting glasses to protect your eyes.
- Always check to see that the paint ball gun is "On Safe" and unloaded when getting it from another person or from storage. Don't put the paint ball gun away loaded.

### Step 6. Maintaining Your Paint Ball Gun

- The barrel, magazine and tube are made of a rust resistant, hard, nonferrous alloy and require no special treatment.
- Tampering with the gun or attempts to change the gun in any way make it unsafe to use. If you drop your gun, check it to see that it works properly before you use it again. If anything seems changed, like a shorter or weaker trigger pull, this may mean worn out or broken parts. Don't use it again until you've had it checked by our factory service department.

## Step 7. Reviewing Safety

- Don't point at anything you don't intend to shoot. Always aim in a SAFE DIRECTION.
- Always wear head, throat, and eye protection.
- Always keep the paint ball gun "On Safe" until you are ready to shoot.
- Do not attempt to disassemble or tamper with your paint ball gun. Please return your paint ball gun to the factory for repair.
- Always handle your paint ball gun as though it were loaded.
- Always check to see if the paint ball gun is "On Safe" and unloaded when getting it from another person or from storage.
- Don't put paint ball gun away loaded or charged with CO<sub>2</sub>.
- Use .68 caliber paint balls only as ammunition.

14

## SPECIFICATIONS:

Mechanism: ..... Pump Action  
Caliber: ..... .68 Caliber  
Ammunition: ..... Paint Balls  
Capacity: ..... 10  
Weight: ..... 2 lbs. 6.5 oz. (1.09 kg)  
Overall Length: ..... 9.25 inches (23.50 cm)  
Sights: Front: ..... Fixed bead  
Power Source: ..... CO<sub>2</sub> cylinder, 12 grams, small neck type  
Safety: ..... Cross bolt

## REPAIR SERVICE

If your paint ball gun needs repair, we recommend you send it to the factory. Your paint ball gun requires special tools and fixtures to repair it. If you take it apart, you probably will not be able to reassemble it correctly. Benjamin Sheridan Corporation assumes no warranty responsibility in this case.

15 When shipping your paint ball gun for repair, pack it as carefully as possible and INSURE IT FOR FULL VALUE. Your note as to the problem and cause of same, if possible, would be helpful.



## LIMITED ONE YEAR WARRANTY

This product is warranted to the retail consumer for one year from date of retail purchase against defects in material and workmanship and is transferable. To register the serial number of your gun, please return the airgun registration form. The warranty is not conditioned on the return of the card.

### WHAT IS COVERED

Replacement parts and labor. Transportation charges to consumer for repaired product.

### WHAT IS NOT COVERED

Transportation charges to Benjamin Sheridan for defective product. Damages caused by abuse or failure to perform normal maintenance - see Owner's Manual. Sales outside of the United States. Any other expense. CONSEQUENTIAL DAMAGES, INCIDENTAL DAMAGES, OR INCIDENTAL EXPENSES, INCLUDING DAMAGE TO PROPERTY. SOME STATES DO NOT ALLOW THE EXCLUSION OR LIMITATION OF INCIDENTAL OR CONSEQUENTIAL DAMAGES, SO THE ABOVE LIMITATION OR EXCLUSION MAY NOT APPLY TO YOU.

### HOW TO OBTAIN WARRANTY PERFORMANCE

Attach to product your name, address, description of problem, phone number and proof of date of retail purchase (sales slip). Package and return product to Benjamin Sheridan Corporation, transportation charges prepaid.

### IMPLIED WARRANTIES

ANY IMPLIED WARRANTIES, INCLUDING THE IMPLIED WARRANTIES OF MERCHANTABILITY AND FITNESS FOR A PARTICULAR PURPOSE, ARE LIMITED IN DURATION TO ONE YEAR FROM THE DATE OF RETAIL PURCHASE. SOME STATES DO NOT ALLOW LIMITATIONS ON HOW LONG AN IMPLIED WARRANTY LASTS, SO THE ABOVE LIMITATIONS MAY NOT APPLY TO YOU.

16

To the extent any provision of this warranty is prohibited by federal, state or municipal law which cannot be preempted, it shall not be applicable. This warranty gives you specific legal rights, and you may also have other rights which vary from state to state.