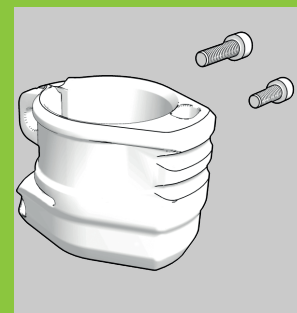
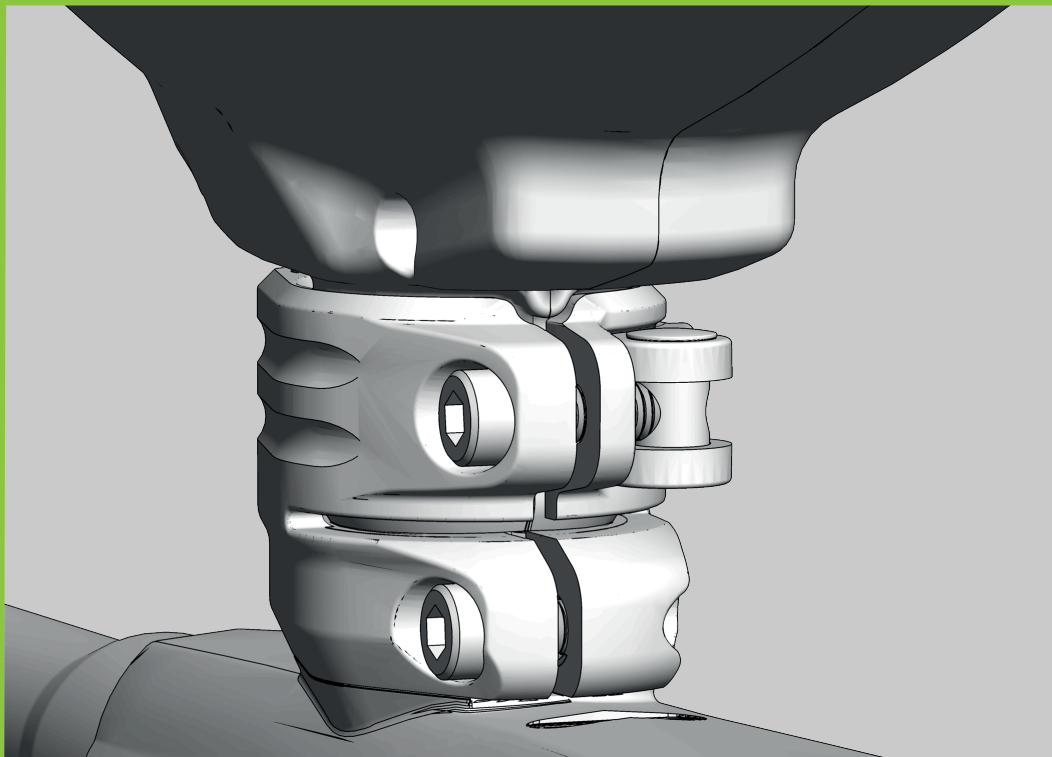




PLANET ECLIPSE: PAL SYSTEM

USER MANUAL / ENGLISH



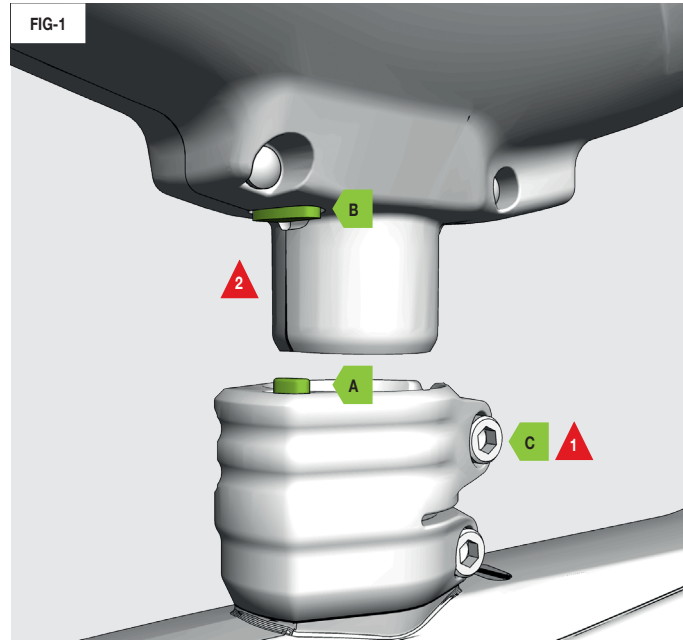
02

QUICK START ATTACHING THE PAL LOADER

FIG-1

When attaching the PAL loader system to the PAL enabled marker, ensure the plunger **A** is aligned correctly and sits under the plunger receiver **B**. The PAL loader must be pushed fully into the feedtube.

- 1** **IMPORTANT!** If the PAL loader is too tight or too loose simply adjust the PAL clamping feedneck lever and/or feedneck screws **C** to compensate.
- 2** **IMPORTANT!** If the PAL loader is not correctly aligned this could affect the efficiency of the PAL loader system.



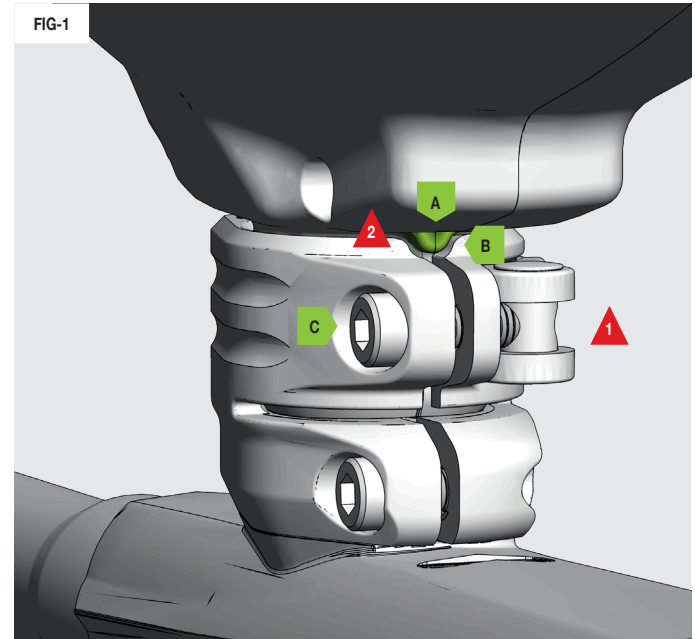
03

QUICK START ATTACHING THE PAL LOADER

FIG-1

To assist with alignment, the dimple at the rear of the PAL loader **A** should sit in the alignment notch at the rear of the PAL feedtube **B**.

- 1** **IMPORTANT!** If the PAL loader is too tight or too loose simply adjust the PAL clamping feedneck lever and/or feedneck screws **C** to compensate.
- 2** **IMPORTANT!** If the PAL loader is not correctly aligned this could affect the efficiency of the PAL loader system.

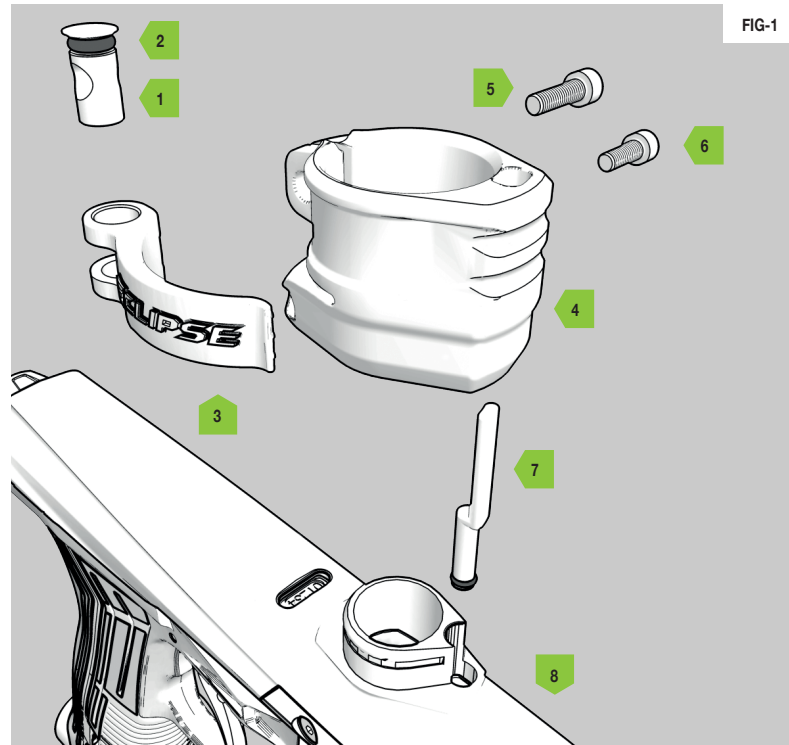


TECHNICAL

PAL CLAMPING FEED TUBE ASSEMBLY

FIG-1

- 1 Feed swivel
- 2 Feed swivel o-ring
#006 NBR70
- 3 Feed lever
- 4 PAL feed tube
- 5 Long clamping feed screw
10-32 UNF x 5/8"
- 6 Short clamping feed screw
10-32 UNF x 1/2"
- 7 Plunger
- 8 Marker body



05

SUPPORT
NOTES

—



GET MORE
PLANETECLIPSE.COM



THIS PRODUCT IS COVERED BY AND/OR LICENSED UNDER ONE OR MORE OF THE FOLLOWING PATENTS:

G.B. PATENTS:

2,342,710; 2,345,953; 2,352,022; 2,391,292; 2,391,063;

U.S. PATENTS:

7,836,873; 7,603,995; 7,073,284; 8,104,463; 7,509,953; 7,921,839; 7,089,697; 7,866,307; 8,082,912; 7,076,906; 7,607,424; 7,980,238; 8,960,175; 8,528,877; 8,201,547; 8,397,706; 8,210,160; 7,073,284; 6,311,682; 6,748,938; 6,860,259; 6,941,693; 6,973,748; 5,881,707; 5,967,133; 6,035,843; 6,474,326; 6,637,421; 6,644,295; 6,810,871; 6,901,923; 7,121,272; 7,100,593; 7,610,908; 7,603,997; 7,946,285; 6,349,711; 7,044,119; 7,185,646; 7,461,646; 7,556,032; 7,591,262; 7,617,819; 7,617,820; 7,640,925; 7,640,926; 7,866,308;

APPLICATION NUMBERS:

12/256,832; 12/613,958; 12/493,777; 11/654,721; 11/747,107; 12/503,504; 11/781,821; 60/832,548; 11/965,886; 10/280,115

Additional U.S. and International Patents may be pending.

USA

130 Franklin Street
Building L4 & L5
Warren, RI, 02885, USA
Call: +1 401 247 9061
info.usa@planeteclipse.com

UK

Unit 14 Premier Park, Acheson Way
Trafford Park Road, Trafford Park
Manchester, M17 1GA, England
Call: +44(0) 161 872 5572
info.europe@planeteclipse.com

© Planet Eclipse Ltd.

2603_EN-PAL-Manual